

SUBMITTAL SHEET

JOB NAME	ITEM TAG
JOB LOCATION	PART NUMBER
CONTRACTOR	DATE
ENGINEER APPROVAL	DATE

UPVC TRUE UNION BALL VALVE

T/S-603 V

Full port, uni-directional flow.
 Can be installed on Schedule 40 or 80 pipe
 True union design permits ease of maintenance or repair
 Constructed using 100% virgin resins
 Replaceable Teflon* Seats & Viton* O-Ring seals
 Central mounting pad is ideal for panel or actuation attachment.
 Removeable handle can be used as a spanner wrench for body disassembly
 Ideal for commercial or industrial applications where compatible petroleum-based medias are used

Working Pressure, Non-Shock (PSI)
 Saturated Steam: Not recommended for steam service
 Cold Water, Oil, Gas: 150 CWP @ 73 degrees F
 Maximum Service Temperature: 140° F

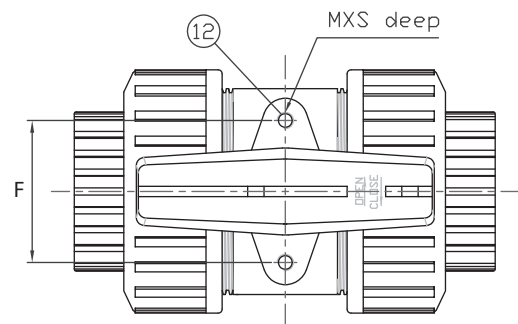
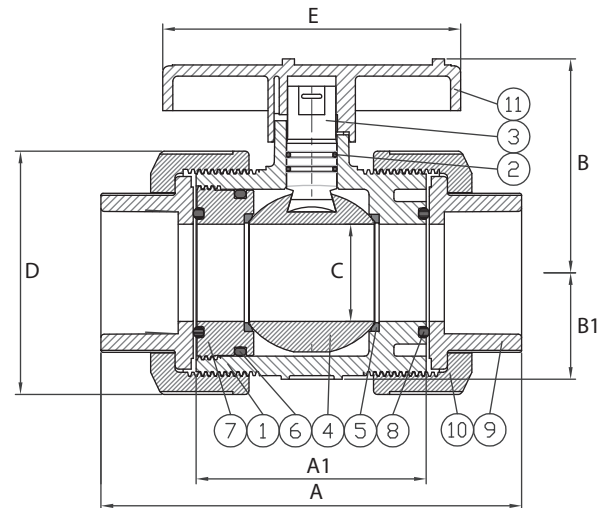
- All sizes include both solvent-weld and female threaded end adapters
- Manufactured in compliance with ASTM F1970:
 - Female solvent-weld socket dimensions: ASTM D2467
 - Female pipe thread dimensions: ASTM F1498 and ANSI/ASME B1.20.1 where applicable
- Manufactured in an ISO 9002 accredited facility



MATERIAL SPECIFICATION		
PART	MATERIAL	SPECIFICATION
1 Body	UPVC	ASTM D1784, Class 12454
2 Stem O-rings (2)	Fluoroelastomer	Viton*
3 Stem	UPVC	ASTM D1784, Class 12454
4 Ball	UPVC	ASTM D1784, Class 12454
5 Seats (2)	PTFE	Dupont Teflon*
6 Carrier O-ring	Fluoroelastomer	Viton*
7 Seat carrier	UPVC	ASTM D1784, Class 12454
8 Union O-rings (2)	Fluoroelastomer	Viton*
9 End adapters (2)	UPVC	ASTM D1784, Class 12454
10 Union nuts (2)	UPVC	ASTM D1784, Class 12454
11 Handle	ABS	Impact grade
12 Mounting pad nut	Free-cutting brass rod	UNS alloy C3602

*Teflon and Viton are registered trademarks of DuPont

DIMENSIONS					
Size	A	A1	B	B1	C
1/2"	4.49	2.36	1.85	0.83	0.51
3/4"	5.32	2.87	2.24	1.02	0.71
1"	5.87	3.11	2.6	1.3	0.91
1-1/4"	6.61	3.47	2.91	1.54	1.18
1-1/2"	6.89	3.74	3.43	1.61	1.5
2"	8.19	4.49	4.17	2.09	1.8
Size	D	E	F	pad tapping:	depth (MM):
1/2"	1.83	3.07	1.18	M5	7
3/4"	2.17	3.62	1.3	M6	8
1"	2.6	3.94	1.58	M6	11
1-1/4"	3.23	4.33	1.85	M8	11
1-1/2"	3.85	4.76	2.05	M8	11
2"	4.72	5.79	2.76	M8	15



T/S 603 V
Cut Away