

SUBMITTAL SHEET

| | |
|-------------------|-------------|
| JOB NAME | ITEM TAG |
| JOB LOCATION | PART NUMBER |
| CONTRACTOR | DATE |
| ENGINEER APPROVAL | DATE |

STAINLESS STEEL Y-STRAINER

Model T-758

1/16" perforated screens

Working Pressure, Non Shock (PSI)

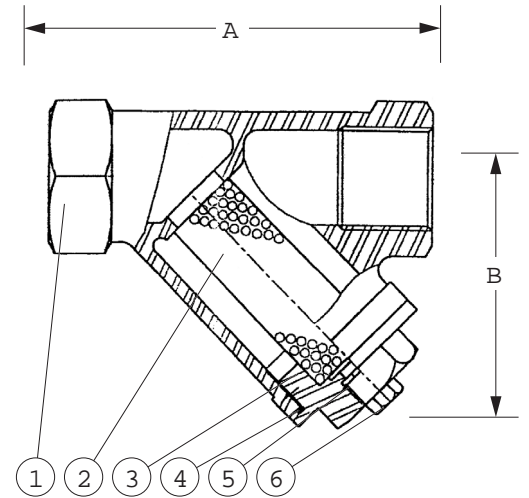
Cold working pressure (CWP): 600 CWP

Saturated steam (WSP): 150 WSP

Pictured Model T-758



Pictured Model T-758 Cut-away



MATERIAL SPECIFICATION

| PART | MATERIAL | SPECIFICATION |
|-----------|---------------------|---------------|
| 1 Body | Stainless steel | 316 |
| 2 Screen | Stainless steel | 304 |
| 3 Cap | Stainless steel | 316 |
| 4 Gasket | PTFE | Dupont Teflon |
| 5 Packing | PTFE | Dupont Teflon |
| 6 Plug | 316 Stainless steel | 316 |

*Teflon is a registered trademark of Dupont

DIMENSIONS

| Size | A | B |
|--------|------|------|
| 1/2" | 2.40 | 1.46 |
| 3/4" | 2.76 | 1.61 |
| 1" | 3.39 | 1.85 |
| 1-1/4" | 3.94 | 2.13 |
| 1-1/2" | 4.37 | 1.50 |
| 2" | 5.43 | 2.99 |