

SUBMITTAL SHEET

JOB NAME	ITEM TAG
JOB LOCATION	PART NUMBER
CONTRACTOR	DATE
ENGINEER APPROVAL	DATE

WATER HEATER DRAIN VALVE

Model T-539

180°F MAXIMUM TEMPERATURE

Working Pressure, Non Shock (PSI)

Cold working pressure (CWP): 125 C.W.P

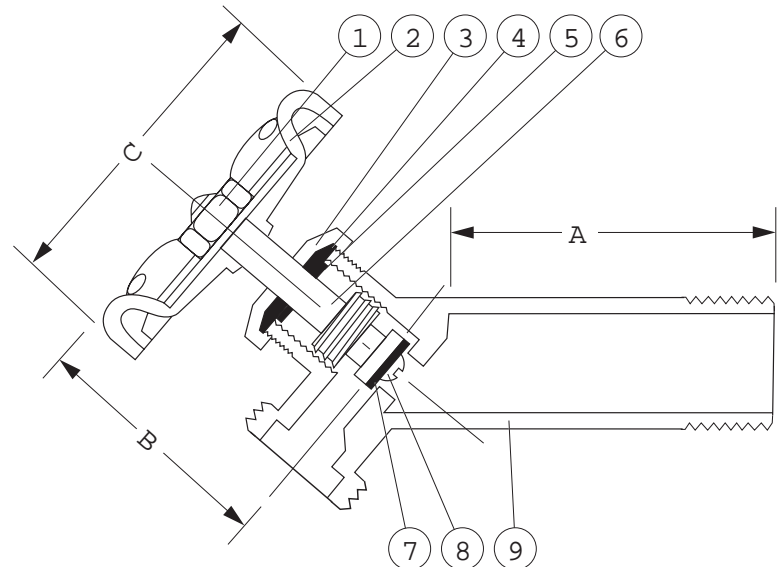


Pictured
Model T-539

Pictured
Model T-539
Cut-away

MATERIAL SPECIFICATION

PART	MATERIAL	SPECIFICATION
1	Handle nut	Steel AISI 1010
2	Hand wheel	Cast iron ASTM A38 Class 35
3	Bonnet	Brass ASTM B124 UNS C37700
4	Packing	EPDM SE-719F
5	Washer	Stainless steel AISI 304/306
6	Stem	Brass ASTM B124 UNS C37700
7	Seat packing	EPDM SE-719F
8	Seat screw	Brass JIS H3260-C2600W
9	Body	Brass ASTM B584 C85710



DIMENSIONS

Size	A	B	C
3/4"	2.644	2.099	2.059