

SUBMITTAL SHEET

JOB NAME	ITEM TAG
JOB LOCATION	PART NUMBER
CONTRACTOR	DATE
ENGINEER APPROVAL	DATE

LEAD FREE BRASS NON-RISING STEM GATE VALVE T/S-401 NO-LEAD

Lead-free design is suitable for all California and Vermont potable water installations

Durable, all-brass body construction

Full-flow waterway reduces pressure drop

Non-rising stem design is compact and reliable

Solid, fully-guided disc-wedge opens completely out of the flow path

Integral seats are precision-ground to match each disc-wedge

Working Pressure, Non-Shock (PSI)

Cold Water, Oil, Gas: 200 CWP

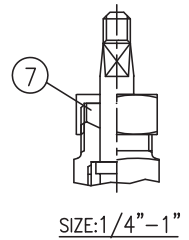
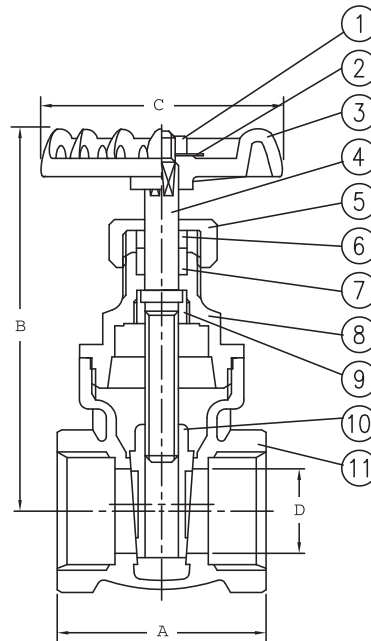
Saturated Steam: Not suitable for steam service

- Complies with California and Vermont no-lead requirements: IAPMO file number 6372
- UPC/IAPMO certified to ANSI/NSF Standard 61 Annex G
- End connections comply with ANSI/ASME B1.20.1 and ASME B16.18
- Manufactured in an ISO accredited facility



MATERIAL SPECIFICATION			
PART	MATERIAL	SPECIFICATION	
1 Handwheel nut	Cadmium plated steel	AISI 1010	
2 Identification disc	Aluminum	ASTM B209-1100	
3 Handwheel	Cast iron	ASTM A48 Class 35	
4 Stem	Lead-free forged brass	Lead-free bismuth/boride alloy	
5 Packing nut	Brass	ASTM B16 UNS C36000	
6 Packing gland follower (sizes 1-1/4" to 2" only)	Brass	ASTM B16 UNS C36000	
7 Stem packing	NBR (Buna-N) rubber	Commercial grade: N81U	
8 Bonnet	Lead-free cast brass	Lead-free bismuth/boride alloy	
9 Stem locknut	Lead-free forged brass	Lead-free bismuth/boride alloy	
10 Disc wedge	Lead-free cast brass	Lead-free bismuth/boride alloy	
11 Body	Lead-free cast brass	Lead-free bismuth/boride alloy	

DIMENSIONS							
Size	A (IPS)	A (Swt)	B	C	D	Wt (lb.) IPS	Wt (lb.) Swt
1/4"	1.61		2.76	2.13	0.39	0.6	
3/8"	1.61		2.76	2.13	0.39	0.56	
1/2"	1.69	1.77	2.84	2.13	0.50	0.62	0.58
3/4"	1.85	2.32	3.31	2.13	0.75	0.82	0.76
1"	2.13	2.76	3.86	2.40	0.95	1.24	1.17
1-1/4"	2.40	2.87	4.57	3.03	1.25	1.84	1.67
1-1/2"	2.56	3.27	4.92	3.03	1.48	2.21	2.06
2"	2.84	3.90	6.02	3.27	1.94	3.22	3.52



Pictured
T-401 No Lead
Cut away view