

SUBMITTAL SHEET

JOB NAME	ITEM TAG
----------	----------

JOB LOCATION	PART NUMBER
--------------	-------------

CONTRACTOR	DATE
------------	------

ENGINEER APPROVAL	DATE
-------------------	------

FLANGED CAST IRON SWING CHECK VALVE

T-311

Swing-check design is ideal for all basic commercial/industrial general backflow prevention applications.

Durable cast iron construction resists pipeline stresses and distortion.

IBBM design: Iron-body-bronze-mount, with bronze body seat and flapper-disc sealing rings. The pliable rings provide an improved seal over plain iron-on-iron designs.

Class 125/150 full-face flange-type end connections (see flange data chart below).

All external surfaces are primed and painted for corrosion resistance.

Can be installed in either vertical (upward flow only) or horizontal (cover upright) applications.

Available in nominal pipe sizes 2" to 8".

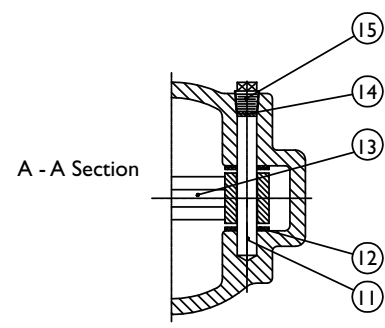
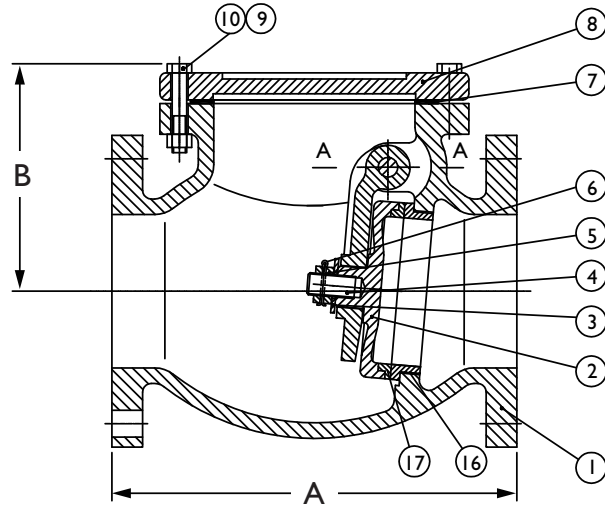
Working Pressure, Non-Shock (PSI):

Cold working pressure (CWP):	200 p.s.i.
Saturated steam (WSP):	125 p.s.i.
Maximum service temperature:	450°F

- In accordance with interchangeability requirements, face-to-face dimensions conform to ANSI / ASME B16.10.
- Flanged end connections conform to ANSI / ASME B16.1 Class 125 / 150.
- Conforms to MSS SP-71.
- Manufactured in an ISO accredited facility.



Pictured Model T-311



Pictured T-311 Cut-away

MATERIAL SPECIFICATION

PART	MATERIAL	SPECIFICATION
1	Body	Cast iron ASTM A126, Class B
2	Flapper disc	Cast iron ASTM A126, Class B
3	Disc washer	Carbon steel, zinc-plated ASTM A307
4	Disc stud	Forged brass ASTM B16
5	Stud nut	Forged brass ASTM B16
6	Cotter pin	Stainless steel AISI Grade 304
7	Cover gasket	Non-asbestos graphite Commercial grade
8	Cover	Cast iron ASTM A126, Class B
9	Cover bolt	Carbon steel, zinc-plated Commercial Grade 4.8
10	Cover nut	Carbon steel, zinc-plated Commercial Grade 4.8
11	Hanger hinge pin	Stainless steel AISI Grade 420
12	Thrust washers (2)	PTFE Commercial grade, *Teflon™
13	Hanger	Ductile iron ASTM A536, Grade 65-45-12
14	Pin gasket	EPDM rubber Commercial grade
15	Pin plug	Forged brass ASTM B16
16	Seat ring	Bronze ASTM B62, UNS Alloy C83600
17	Flapper disc ring	Bronze ASTM B62, UNS Alloy C83600

*Teflon™ is a registered trademark of the DuPont Company.

DIMENSIONS

Size	A (ANSI/ASME B16.10)	B	Weight (lb.)
2"	8.00	4.76	25.35
2-1/2"	8.50	5.32	36.38
3"	9.50	5.55	40.79
4"	11.50	6.61	59.52
5"	13.00	7.17	92.59
6"	14.00	8.47	108.03
8"	19.50	10.51	229.28

CLASS 125 / 150 FLANGE DATA

Flange nominal size:	Bolt circle diameter	Bolt size	Number of bolt holes	Flange diameter
2"	4.75	5/8" - 11	4	6"
2-1/2"	5.5	5/8" - 11	4	7"
3"	6	5/8" - 11	4	7.50"
4"	7.5	5/8" - 11	8	9"
5"	8.5	3/4" - 10	8	10"
6"	9.5	3/4" - 10	8	11"
8"	11.75	3/4" - 10	8	13.50"