

## SUBMITTAL SHEET

JOB NAME		ITEM TAG
JOB LOCATION		PART NUMBER
CONTRACTOR	DATE	
ENGINEER APPROVAL	DATE	

## BRONZE IN-LINE SPRING CHECK VALVE

### T/S-455

FNPT or sweat end connections are available

Durable, heavy-wall cast bronze design is ideal for commercial or industrial applications

Spring-loaded silent closure operation

The 1/2-pound cracking pressure spring rate permits faster low-pressure opening without sacrificing quick closure in backflow scenarios

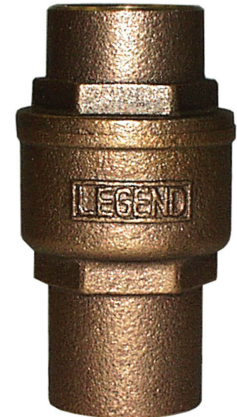
Bore-guided stem-poppet minimizes over-travel, reducing the chance of premature wear and failure

Can be installed in the vertical or horizontal positions

Not for reciprocating air compressor installations

Available in nominal sizes 1/2" to 2"

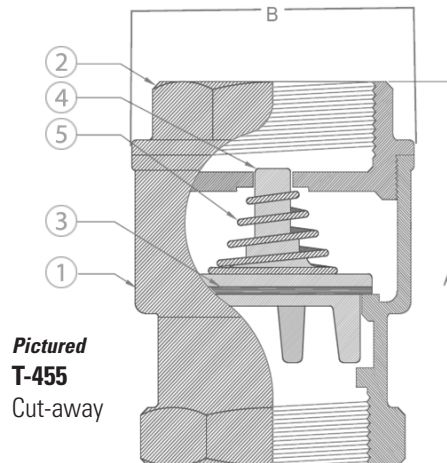
- Conforms to MSS SP 80
- Female threaded end connections comply with ANSI / ASME B1.20.1
- Solder cup end connections comply with ANSI / ASME B16.18
- Manufactured in an ISO accredited facility



### Working Pressure, Non Shock (PSI)

Cold working pressure (CWP): 250 psi

Saturated steam (WSP): Not suitable for steam service



### MATERIAL SPECIFICATION

PART	MATERIAL	SPECIFICATION
1 Body	Cast bronze	ASTM B584 UNS C84400
2 End adapter	Cast bronze	ASTM B584 UNS C84400
3 Seat disc	Buna-N (NBR) rubber	Commercial grade
4 Poppet	(1/2"-1-1/4") Forged brass	ASTM B124 UNSC37700
	(1-1/2" & 2") Cast bronze	ASTM B584 UNS C84400
5 Spring	Phosphor bronze wire	ASTM B159 UNS C51000

### DIMENSIONS

Size	A (FNPT)	A (C x C)	B
1/2"	2.09	2.40	1.22
3/4"	2.32	2.80	1.50
1"	2.68	3.54	1.89
1-1/4"	3.11	3.86	2.16
1-1/2"	3.47	4.23	2.60
2"	3.86	5.08	3.14