

SUBMITTAL SHEET

JOB NAME	ITEM TAG
JOB LOCATION	PART NUMBER
CONTRACTOR	DATE
ENGINEER APPROVAL	DATE

LEAD FREE BRONZE Y-PATTERN CHECK VALVE

T/S-453NL

Lead-free design is suitable for all no-lead potable water installations, in full compliance of all lead-free plumbing laws.

Heavy-duty, full-pattern bronze construction resists pipeline stresses and distortion

Y-pattern body permits exceptional flow rates, typically required in commercial applications

Large, integral seat and disc are tilted inward at 45 degrees, promoting linear flow and minimizing pressure drop

Uni-directional flow: Can be installed in the horizontal (assembly cap upright) or vertical (upward flow only) positions

Forged brass hinge pin assures smooth, non-binding disc operation.

Available in female pipe threaded sizes 1/2" to 2" and female sweat tubing sizes 1/2" to 2"

Working Pressure, Non-Shock (PSI)

Cold working pressure (CWP): 300

Saturated steam (WSP): 150

MATERIAL SPECIFICATION

PART	MATERIAL	SPECIFICATION
1 Body	Lead-free cast bronze	JIS H 5120 CAC 902
2 Disc	Lead-free cast bronze	JIS H 5120 CAC 902
3 Assembly cap	Lead-free cast bronze	JIS H 5120 CAC 902
4 Hinge pin	Forged brass	ASTM B16 UNS C36000
5 Pin retaining plug	Forged brass	ASTM B16 UNS C36000

DIMENSIONS

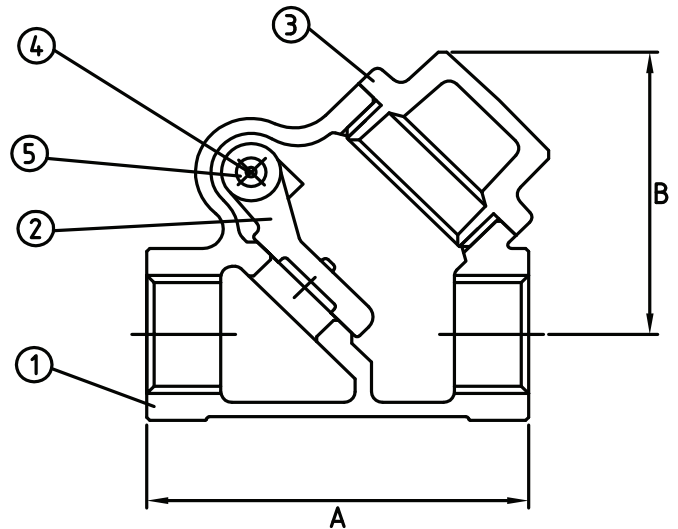
Size	A (IPS)	A (CxC)	B	CV**
1/2"	2.20	2.68	1.67	3.50
3/4"	2.78	3.41	2.01	6.60
1"	3.15	4.09	2.28	12.00
1-1/4"	3.80	4.72	2.68	22.00
1-1/2"	4.33	5.39	3.07	30.00
2"	5.08	6.69	3.78	50.00

** The CV Factor is the gallons of water per minute passed through the valve with a 1 PSI pressure drop.

- Third-party tested and certified in compliance with U.S. Federal Public Law 111-380 (National lead-free plumbing law).
- Conforms to MSS SP 80
- Female threaded end connections comply with ANSI / ASME B1.20.1



- Solder cup end connections comply with ANSI / ASME B16.18
- Manufactured in an ISO accredited facility



Pictured
T-453NL FNPT x FNPT
Cut-away view