

## Bottle Trap Item #RA052

### Features:

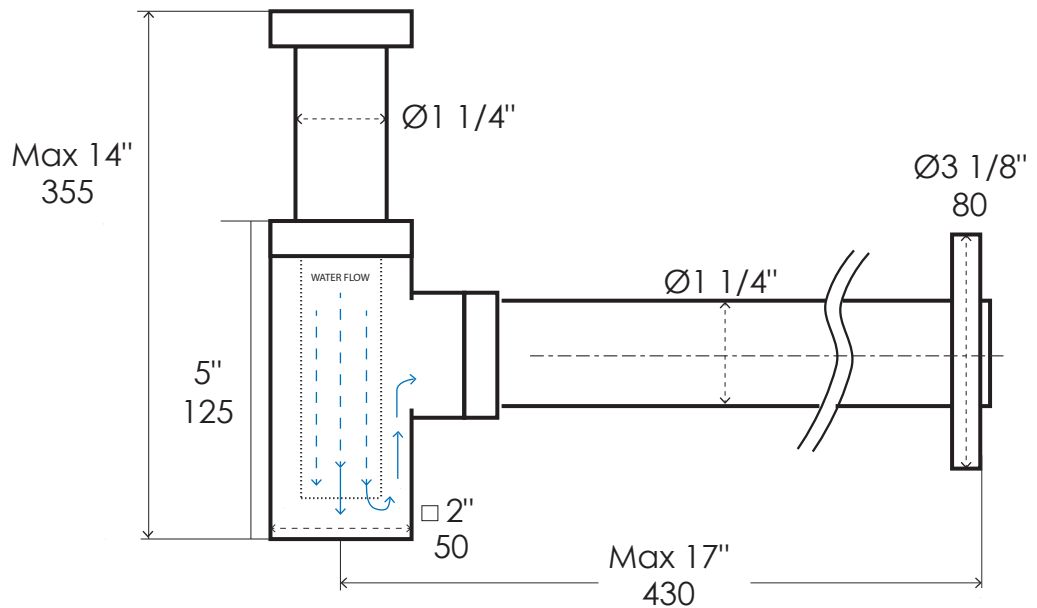
- Design bottle trap assembly
- Brass construction
- Works with American or European drain sizes
- Bottom panel unscrews to allow for easy cleaning



### Finish Options:

- CR - Polished Chrome
- NI - Brushed Nickel

### Product Specifications:



### Notes:

Drawings provided herein are meant to give the user an idea of the product and are not made to scale. The size in inches is rounded up to the nearest 1/16".

LACAVA is committed to the highest level of customer service. Please feel free to contact us at 1-888-522-2823 (toll free) or by email at [info@lacava.com](mailto:info@lacava.com) for technical assistance or any general inquiries.

Rev. 12-15-2017