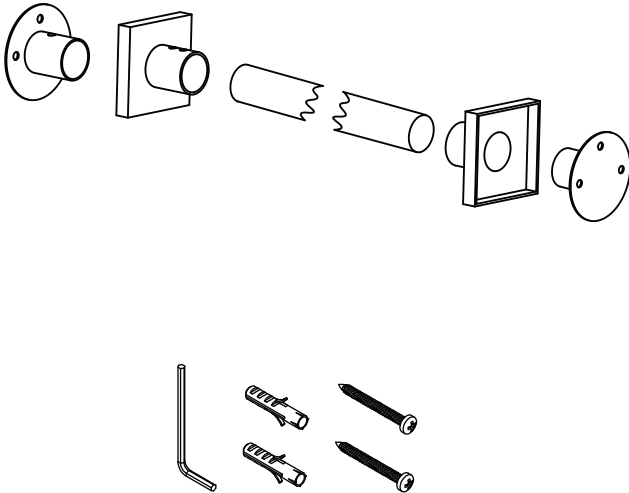


SHOWER RODS

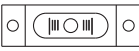
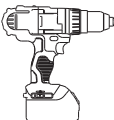

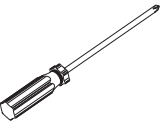

SQUARE SHOWER ROD

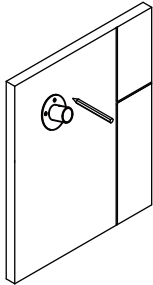
5'/60" KSRZ-SQ-5

6'/72" KSRZ-SQ-6



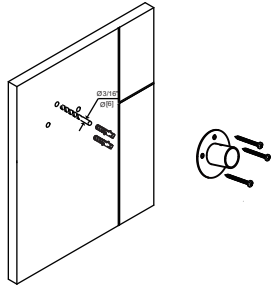
Tools required for installation

		
Level	Drill	Pencil
		
Screwdriver	Hammer	



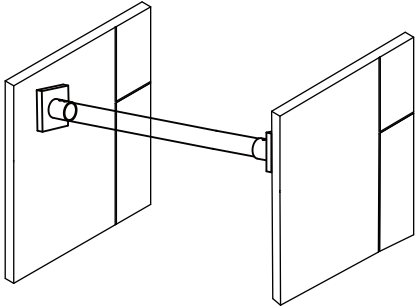
Step 1

Position one side back plate against the wall and mark outline with pencil.



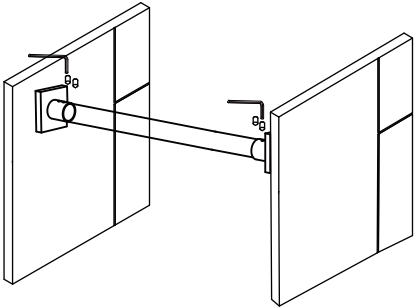
Step 2

Pre-drill 3/16" holes on the wall to fit wall plugs, fix the plate onto the wall, make sure the post hole on the top.



Step 3

Install the other plate onto the wall, and slid two backings into the plate, make sure the 2 holes on the top.



Step 4

Tighten the 2 set screws each side using Allen key provided, 1 screw is to fix the tube, another screw is to fix the plate.