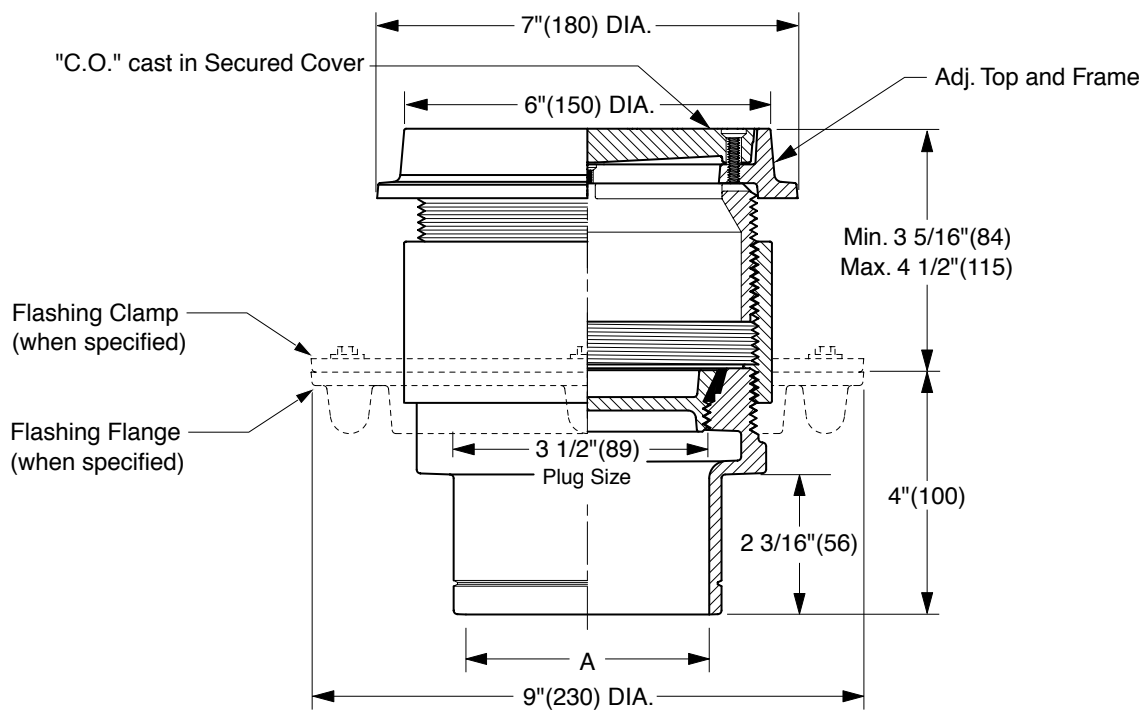


FLOOR CLEANOUTS WITH "TWIS-TO-FLOOR®" ADJUSTABLE TOPS FOR UNFINISHED AREAS

ROUND EXTRA HEAVY DUTY CAST IRON TOP

FUNCTION: Used in floors and areas where appearance of cast iron is satisfactory. Will withstand heavy load traffic.



TWIS-TO-FLOOR® ADJUSTMENT
NO-HUB OUTLET
"A" (Pipe Size) = 02(50), 03(75) or 04(100)

- Fig. 4220S.....Gasket Seal - ABS Plug
- Fig. 4221S.....Gasket Seal - Bronze Plug
- Fig. 4223S.....Taper Thread - Bronze Plug
- Fig. 4224S.....Taper Thread - ABS Plug

(Twis-to-Floor® design shown with gasketed plug.)
NOTE: Dimensions shown in parentheses are in millimeters.

REGULARLY FURNISHED:

Duco Cast Iron Cleanout with Round Adjustable Scoriated Secured Cast Iron Top. Closure Plug Type as Indicated By Figure Number Selected.

VARIATIONS:

- Flashing Flange -F
- Flange with Flashing Clamp -F-C
- Vandal Proof Top -U

OPTIONAL MATERIALS:

- Galvanized Cast Iron -G
- Ductile Iron Cover -M

DRAWING NUMBER S4220
SIZE A
SCALE: NONE
DATE: 2-16-70
APPROVED BY: JM
CHECKED BY: BH
DRAWN BY: RK
4220 SERIES
DIMENSIONS ARE SUBJECT TO MANUFACTURERS TOLERANCE AND CHANGE WITHOUT NOTICE

P N	05/08/07 12/17/04	Revised Outlet Text Added Width Dimension at Top	JJ JJ	CL CL	WEIGHT POUNDS	VOLUME CUBIC FEET	FIGURE NUMBER 4220 SERIES
REV.	DATE	DESCRIPTION	BY	CKD. BY			