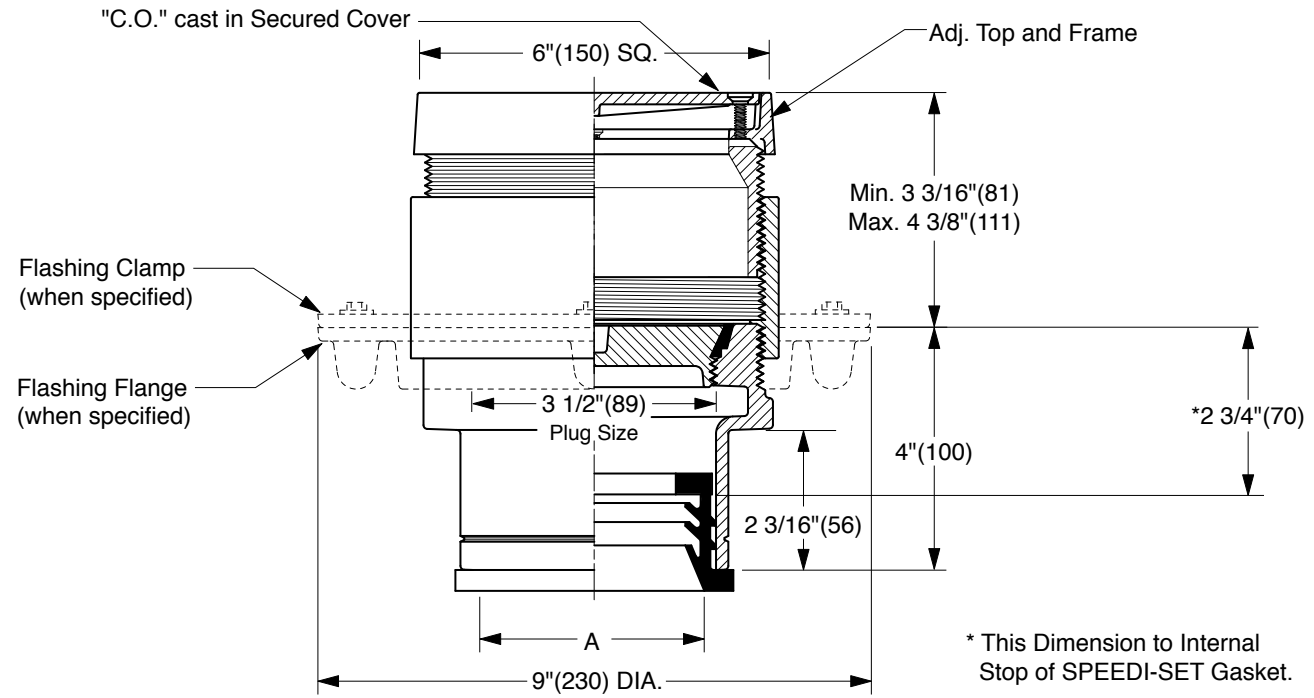


FINISHED FLOOR CLEANOUTS WITH "TWIS-TO-FLOOR®" ADJUSTABLE TOPS

SQUARE NICKEL BRONZE TOP

FUNCTION: For use in finished floors bearing foot and medium load wheeled traffic. The square top is particularly adaptable to floors that are finished of material in straight line patterns. Allows for easy floor level adjustment.



TWIS-TO-FLOOR® ADJUSTMENT
SPEEDI-SET OUTLET ▲

"A" (Pipe Size) = 02(50), 03(75) or 04(100)

- | | |
|--|--|
| <ul style="list-style-type: none"> <input type="checkbox"/> Fig. 4051L.....Gasket Seal - ABS Plug <input type="checkbox"/> Fig. 4052L.....Gasket Seal - Bronze Plug <input type="checkbox"/> Fig. 4053L.....Taper Thread - Bronze Plug <input type="checkbox"/> Fig. 4054L.....Taper Thread - ABS Plug | <p>(Twis-to-Floor® design shown with gasketed plug.)</p> <p>NOTE: Dimensions shown in parentheses are in millimeters.</p> |
|--|--|

REGULARLY FURNISHED:

Duco Cast Iron Cleanout with Square Adjustable Scoriated Secured Nickel Bronze Top. Closure Plug Type as Indicated By Figure Number Selected.

VARIATIONS:

- Flashing Flange -F
- Flange with Flashing Clamp -F-C
- Vandal Proof Top -U

▲ Available in Extra Heavy, Service Weight or NO-HUB.

OPTIONAL MATERIALS:

- Galvanized Cast Iron -G
- Polished Bronze Top -PB

DRAWING NUMBER: S4051
 SIZE: A
 SCALE: NONE
 DATE: 2-16-70
 APPROVED BY: JM
 CHECKED BY: BH
 DRAWN BY: RK
4051 SERIES
 DIMENSIONS ARE SUBJECT TO MANUFACTURERS TOLERANCE AND CHANGE WITHOUT NOTICE

REV.	DATE	DESCRIPTION	BY	CKD. BY	WEIGHT POUNDS	VOLUME CUBIC FEET	FIGURE NUMBER 4051 SERIES
	K J H	07/29/02 04/12/01 10/17/00	Corrected Clamp & Flange view New design New design	JJ JJ JJ	CL CL BS		

DRAWING NUMBER
S4051BS

SIZE
A

SCALE:
NONE

DATE:
5-5-06

APPROVED BY:
CEL

CHECKED BY:
CL

DRAWN BY:
RN

FIGURE NUMBER
4053

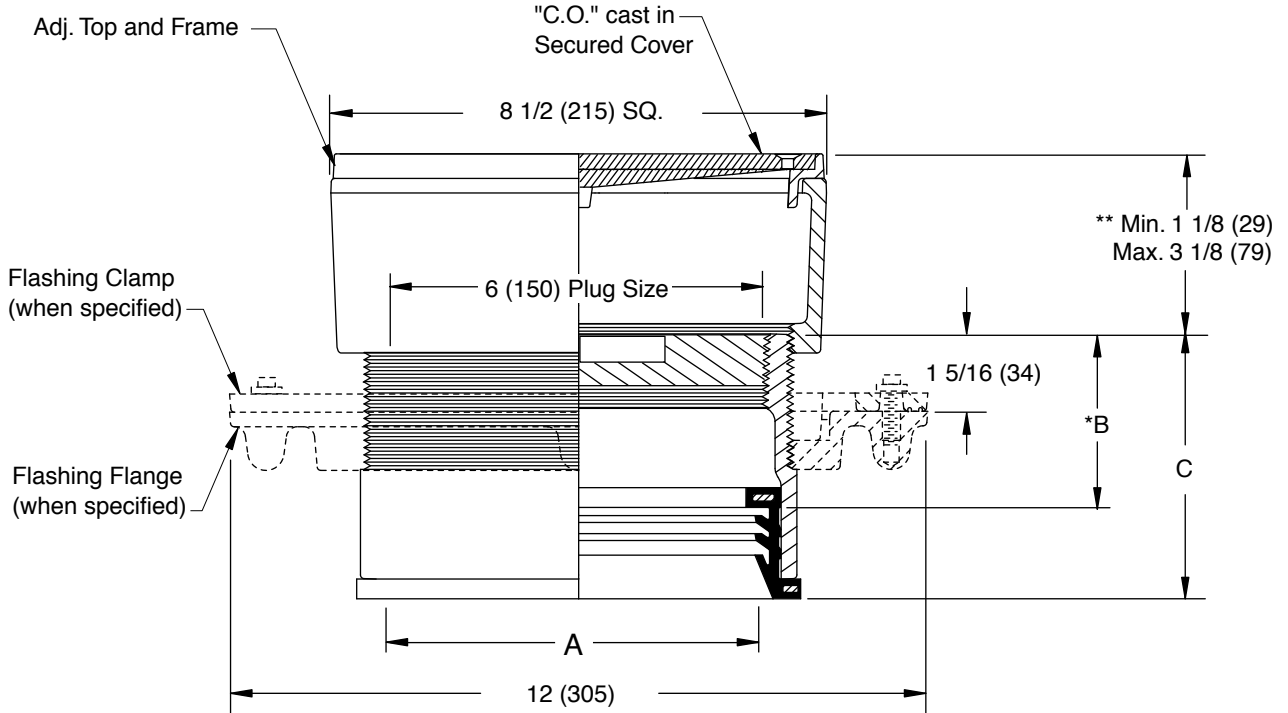
WE CAN ASSUME NO RESPONSIBILITY FOR USE OF SUPERSEDED OR VOID DATA

DIMENSIONS ARE SUBJECT TO MANUFACTURERS TOLERANCE AND CHANGE WITHOUT NOTICE

FINISHED FLOOR CLEANOUTS WITH "TWIS-TO-FLOOR®" ADJUSTABLE TOPS

SQUARE NICKEL BRONZE TOP

FUNCTION: For use in finished floors bearing foot and medium load wheeled traffic. Allows for easy floor level adjustment.



SPEEDI-SET OUTLET ▲

"A" (Pipe Size) = 06(150) & 08(200)

A SIZE	B	C
06(150)	*3(76)	4 9/16(117)
08(200)	*3 1/4(83)	4 13/16(121)

▲ Available in "L" Service Weight, "LXH" Extra Heavy or "LPVC" PVC or ABS. "LPVC" applicable to 06(150) Pipe Size only.

* This Dimension to Internal Stop of Speedi-Set Gasket.

** When Flange-F is specified Min. 1 1/8 (29) becomes 1 5/8 (41)

"TWIS-TO-FLOOR®" ADJUSTMENT

SPEEDI-SET OUTLET ▲

Fig. 4053L.....Taper Thread - Bronze Plug

REGULARLY FURNISHED:

Duco Cast Iron Cleanout with Taper Thread Bronze Plug and Square Adjustable Scoriated Secured Nickel Bronze Top.

VARIATIONS:

- Flashing Flange -F
- Flange with Flashing Clamp -F-C
- Vandal Proof Top -U

OPTIONAL MATERIALS:

- Galvanized Cast Iron -G
- Polished Bronze Top -PB

NOTE: Dimensions shown in parentheses are in millimeters.

REV.	DATE	DESCRIPTION	BY	CKD. BY

WEIGHT POUNDS	VOLUME CUBIC FEET

FIGURE NUMBER 4053
