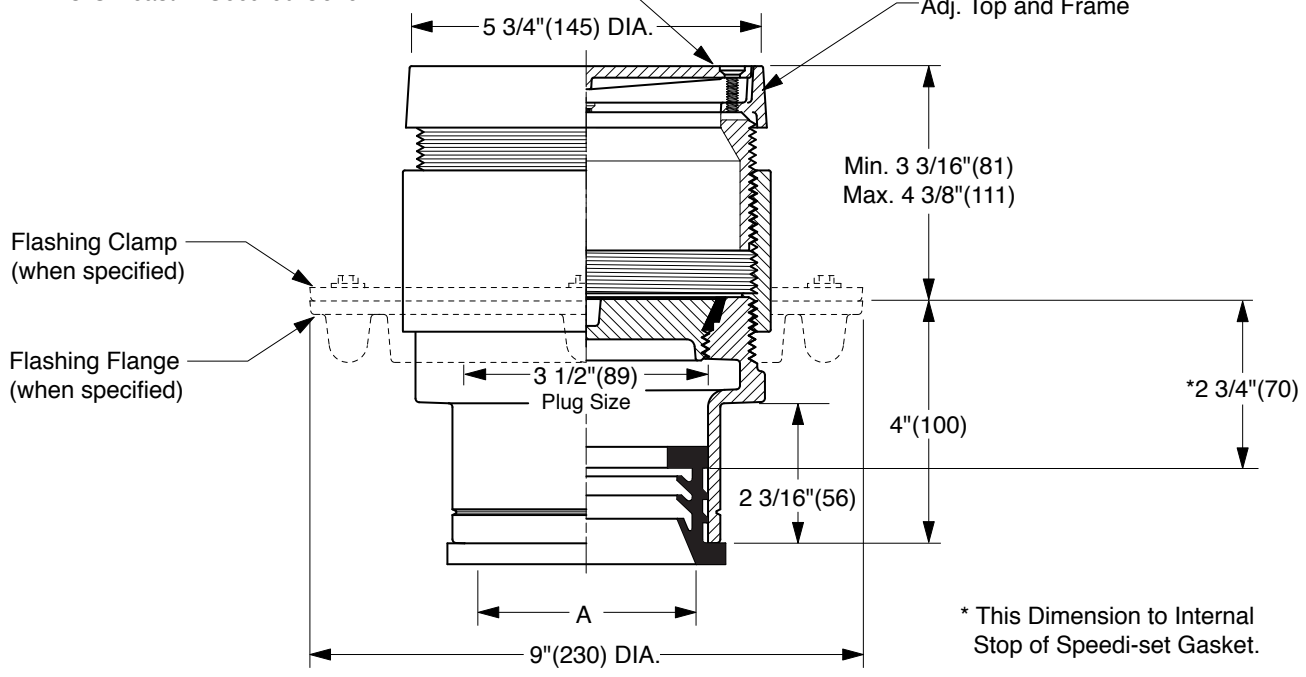


FINISHED FLOOR CLEANOUTS WITH "TWIS-TO-FLOOR®" ADJUSTABLE TOPS

ROUND NICKEL BRONZE TOP

FUNCTION: For use in finished floors bearing foot and medium load wheeled traffic. Allows for easy floor level adjustment.
 "C.O." cast in Secured Cover



NOTE: For applications using core drilling, the largest diameter of the cleanout assembly is 6 5/16" (160).

DRAWING NUMBER S4031
 SIZE A
 SCALE: NONE
 DATE: 2-16-70
 APPROVED BY: JM
 CHECKED BY: BH
 DRAWN BY: RK
 DIMENSIONS ARE SUBJECT TO MANUFACTURERS TOLERANCE AND CHANGE WITHOUT NOTICE

- Fig. 4031L.....Gasket Seal - ABS Plug
- Fig. 4032L.....Gasket Seal - Bronze Plug
- Fig. 4033L.....Taper Thread - Bronze Plug
- Fig. 4034L.....Taper Thread - ABS Plug

(Twis-to-Floor® design shown with gasketed plug.)
NOTE: Dimensions shown in parentheses are in millimeters.

REGULARLY FURNISHED:
 Duco Cast Iron Cleanout with Round Adjustable Scoriated Secured Nickel Bronze Top. Closure Plug Type as Indicated By Figure Number Selected.

- VARIATIONS:**
- Flashing Flange -F
 - Flange with Flashing Clamp -F-C
 - Carpet Clamping Type -X
 - Carpet Marker Type -Y
 - Vandal Proof Top -U
 - Wide Flange (DX)
 - SMITH+GARD® Protective Cover for Round Cleanout Covers up to 7"- 9912

OPTIONAL MATERIALS:

- Galvanized Cast Iron -G
- Polished Bronze Top -PB

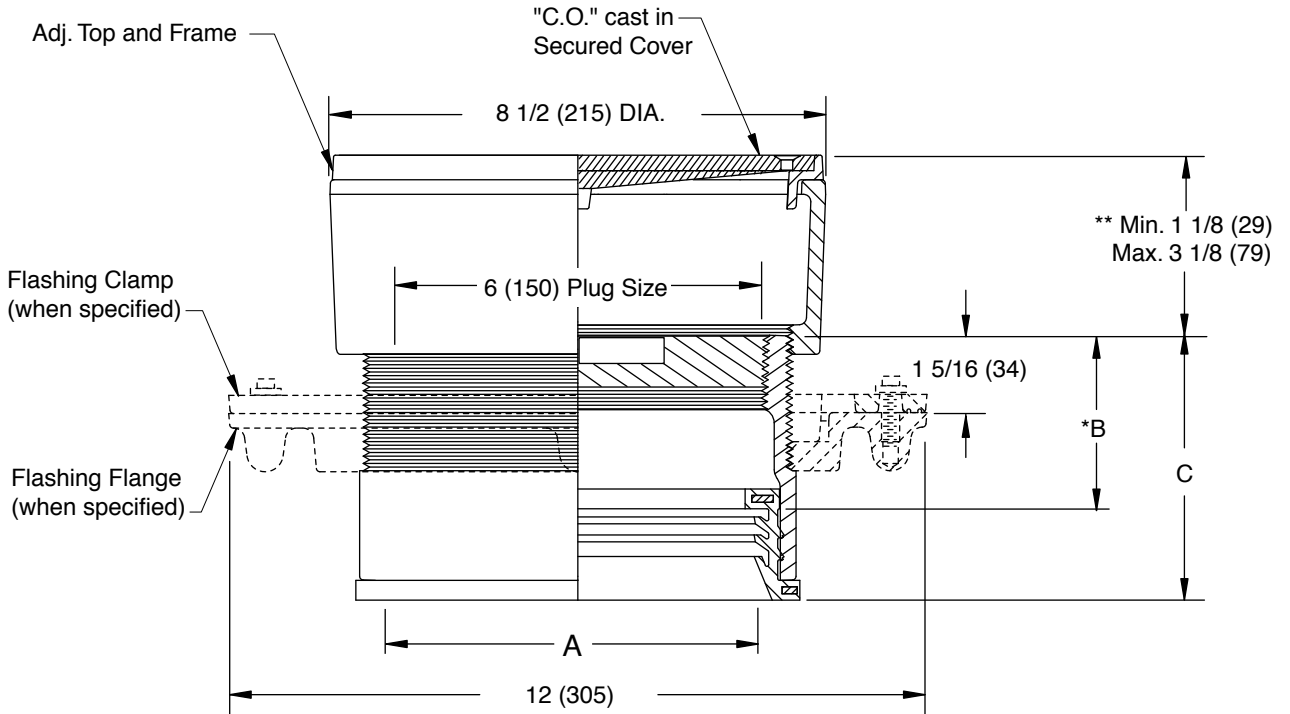
s Available in Extra Heavy, Service Weight or NO-HUB.

FIGURE NUMBER	4031 SERIES	M	12-18-08	Revised Variations	RN	BW	WEIGHT POUNDS	VOLUME CUBIC FEET	FIGURE NUMBER
		L	12/17/04	Added Core-Drilling Note	JJ	CL			4031 SERIES
		K	07/26/02	Corrected Clamp & Flange view	JJ	CL			
		J	04/12/01	Added dimension and note	JJ	CL			
REV.	DATE	DESCRIPTION			BY	CKD. BY			

FINISHED FLOOR CLEANOUTS WITH "TWIS-TO-FLOOR®" ADJUSTABLE TOPS

ROUND NICKEL BRONZE TOP

FUNCTION: For use in finished floors bearing foot and medium load wheeled traffic. Allows for easy floor level adjustment.



SPEEDI-SET OUTLET ▲

"A" (Pipe Size) = 06(150) & 08(200)

A SIZE	B	C
06(150)	*3(76)	4 9/16(117)
08(200)	*3 1/4(83)	4 13/16(121)

▲ Available in "L" Service Weight, "LXH" Extra Heavy or "LPVC" PVC or ABS. "LPVC" applicable to 06(150) Pipe Size only.

* This Dimension to Internal Stop of Speedi-Set Gasket.

** When Flange-F is specified Min. 1 1/8 (29) becomes 1 5/8 (41)

"TWIS-TO-FLOOR®" ADJUSTMENT

SPEEDI-SET OUTLET ▲

Fig. 4033L.....Taper Thread - Bronze Plug

REGULARLY FURNISHED:

Duco Cast Iron Cleanout with Taper Thread Bronze Plug and Round Adjustable Scoriated Secured Nickel Bronze Top.

VARIATIONS:

- Flashing Flange -F
- Flange with Flashing Clamp -F-C
- Carpet Clamping Type -X
- Carpet Marker Type -Y
- Vandal Proof Top -U
- Wide Flange (DX)

OPTIONAL MATERIALS:

- Galvanized Cast Iron -G
- Polished Bronze Top -PB

NOTE: Dimensions shown in parentheses are in millimeters.

DRAWING NUMBER
S4031BS

SIZE
A

SCALE:
NONE

DATE:
5-5-06

APPROVED BY:
CEL

CHECKED BY:
CL

DRAWN BY:
RN

FIGURE NUMBER
4033

WE CAN ASSUME NO RESPONSIBILITY FOR USE OF SUPERSEDED OR VOID DATA

REV.	DATE	DESCRIPTION	BY	CKD. BY

WEIGHT POUNDS	VOLUME CUBIC FEET

FIGURE NUMBER 4033
