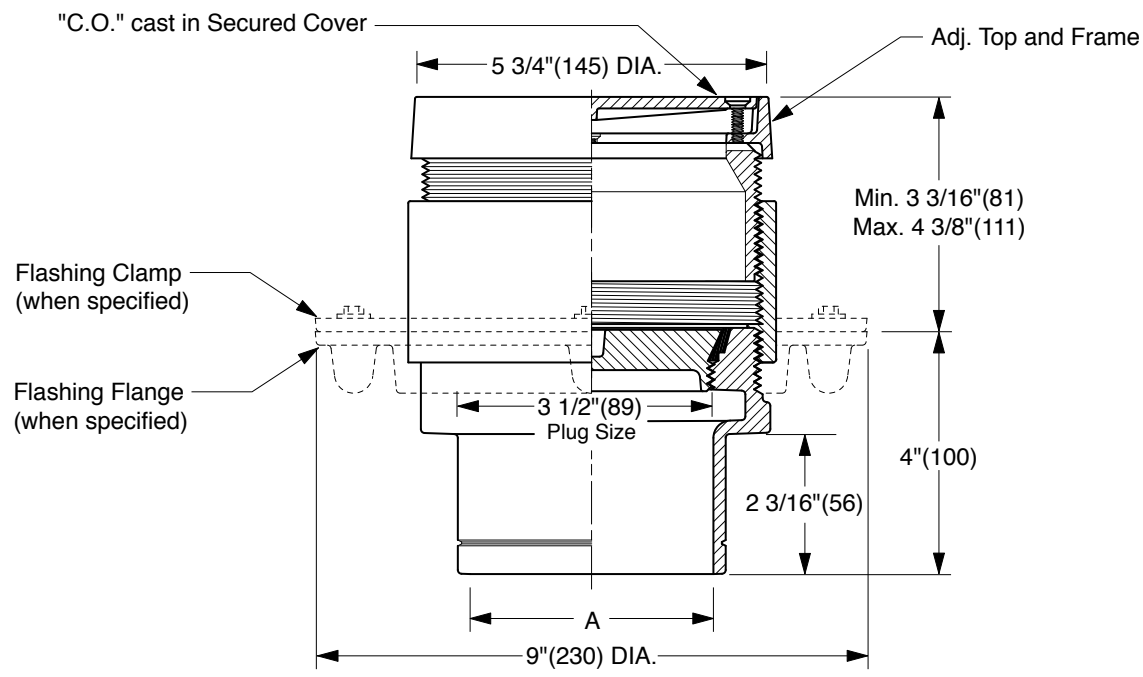


FINISHED FLOOR CLEANOUTS WITH "TWIS-TO-FLOOR®" ADJUSTABLE TOPS

ROUND NICKEL BRONZE TOP

FUNCTION: For use in finished floors bearing foot and medium load wheeled traffic. Allows for easy floor level adjustment.



NOTE: For applications using core drilling, the largest diameter of the cleanout assembly is 6 5/16" (160).

"A" (Pipe Size) = 02(50), 03(75), 04(100) or 05(125)

- | | |
|--|---|
| <input type="checkbox"/> Fig. 4020S.....Gasket Seal - ABS Plug | (Twis-to-Floor® design shown with gasketed plug.) |
| <input type="checkbox"/> Fig. 4021S.....Gasket Seal - Bronze Plug | |
| <input type="checkbox"/> Fig. 4023S.....Taper Thread - Bronze Plug | |
| <input type="checkbox"/> Fig. 4024S.....Taper Thread - ABS Plug | |

REGULARLY FURNISHED:
 Duco Cast Iron Cleanout with Round Adjustable Scoriated Secured Nickel Bronze Top. Closure Plug Type as Indicated By Figure Number Selected.

- VARIATIONS:**
- Flashing Flange -F
 - Flange with Flashing Clamp -F-C
 - Carpet Clamping Type -X
 - Carpet Marker Type -Y
 - Vandal Proof Top -U
 - Wide Flange (DX)

- OPTIONAL MATERIALS:**
- Galvanized Cast Iron -G
 - Polished Bronze Top -PB

NOTE: Dimensions shown in parentheses are in millimeters.

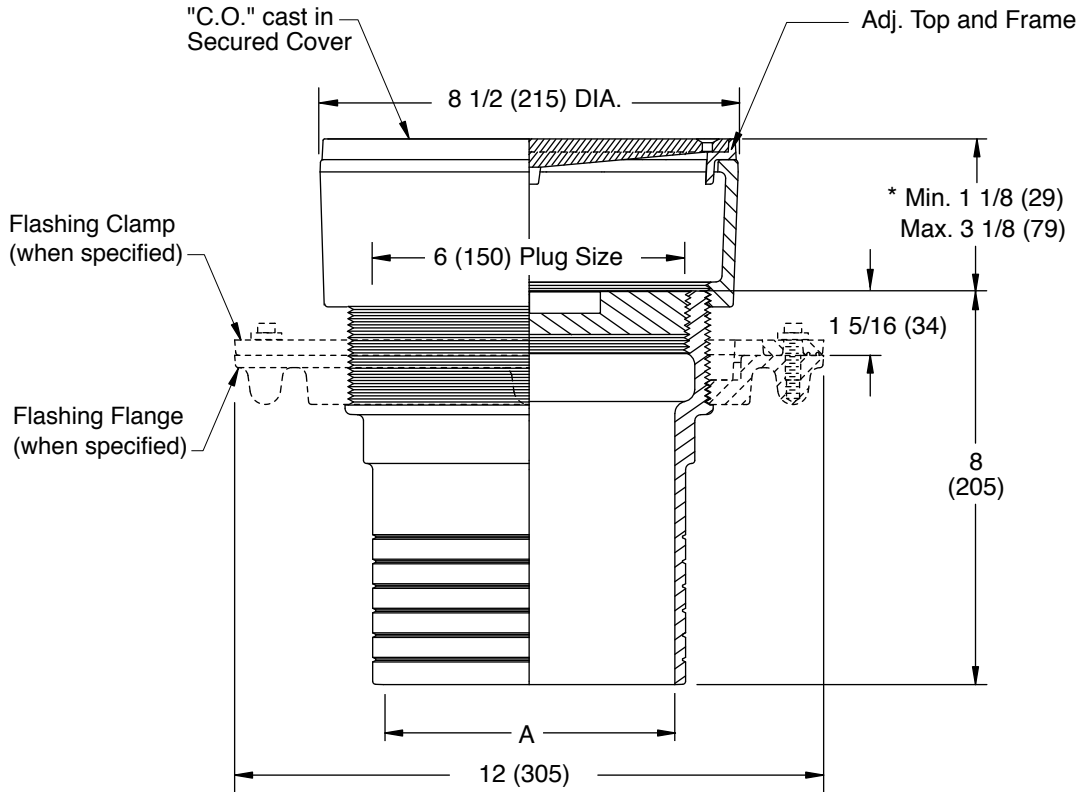
DRAWING NUMBER S4020
 SIZE A
 SCALE: NONE
 DATE: 2-16-70
 APPROVED BY: JM
 CHECKED BY: BH
 DRAWN BY: RK
4020 SERIES
 DIMENSIONS ARE SUBJECT TO MANUFACTURERS TOLERANCE AND CHANGE WITHOUT NOTICE

N	11-20-09	Revised Variations	RN	BW	WEIGHT	VOLUME	FIGURE NUMBER
M	12/18/08	Addition to Variations	JJ	BW	POUNDS	CUBIC FEET	4020 SERIES
L	12/17/04	Added Core-Drilling Note	JJ	CL			
K	07/26/02	Corrected Clamp & Flange view	JJ	CL			
REV.	DATE	DESCRIPTION	BY	CKD. BY			

FINISHED FLOOR CLEANOUTS WITH "TWIS-TO-FLOOR®" ADJUSTABLE TOPS

ROUND NICKEL BRONZE TOP

FUNCTION: For use in finished floors bearing foot and medium load wheeled traffic. Allows for easy floor level adjustment.



SPIGOT OUTLET▲

"A" (Pipe Size) = 06(150) & 08(200)

▲ Sized for Service Weight and/or NO-HUB.

* When Flange-F is specified Min. 1 1/8 (29) becomes 1 5/8 (41)

"TWIS-TO-FLOOR®" ADJUSTMENT

SPIGOT OUTLET▲

Fig. 4023S.....Taper Thread - Bronze Plug

REGULARLY FURNISHED:

Duco Cast Iron Cleanout with Taper Thread Bronze Plug and Round Adjustable Scoriated Secured Nickel Bronze Top.

VARIATIONS:

- Flashing Flange -F
- Flange with Flashing Clamp -F-C
- Carpet Clamping Type -X
- Carpet Marker Type -Y
- Vandal Proof Top -U
- Wide Flange (DX)

OPTIONAL MATERIALS:

- Galvanized Cast Iron -G
- Polished Bronze Top -PB

NOTE: Dimensions shown in parentheses are in millimeters.

DRAWING NUMBER
S4020BS

SIZE
A

SCALE:
NONE

DATE:
5-5-06

APPROVED BY:
CEL

CHECKED BY:
CL

DRAWN BY:
RN

FIGURE NUMBER
4023

DIMENSIONS ARE SUBJECT TO MANUFACTURERS TOLERANCE AND CHANGE WITHOUT NOTICE

REV.	DATE	DESCRIPTION	BY	CKD. BY

WEIGHT POUNDS	VOLUME CUBIC FEET

FIGURE NUMBER 4023
