

P
 DRAWING NUMBER S2230, 2235
 SIZE A
 SCALE: NONE
 DATE: 5-17-85
 APPROVED BY: TD
 CHECKED BY: TD
 DRAWN BY: PJ
2230, 2235
 FIGURE NUMBER

WE CAN ASSUME NO RESPONSIBILITY FOR USE OF SUPERSEDED OR VOID DATA

FLOOR DRAINS

WITH 12" (305) ROUND TOPS AND SEDIMENT BUCKETS

MEDIUM DUTY DRAINS - "SAFE-SET" BUCKET

FUNCTION: For general use where water contains solids or debris that must be intercepted. Large top is used where high flows are anticipated. "Safe-Set" design insures bucket replacement after cleaning since top grate cannot be inserted unless bucket is in place.

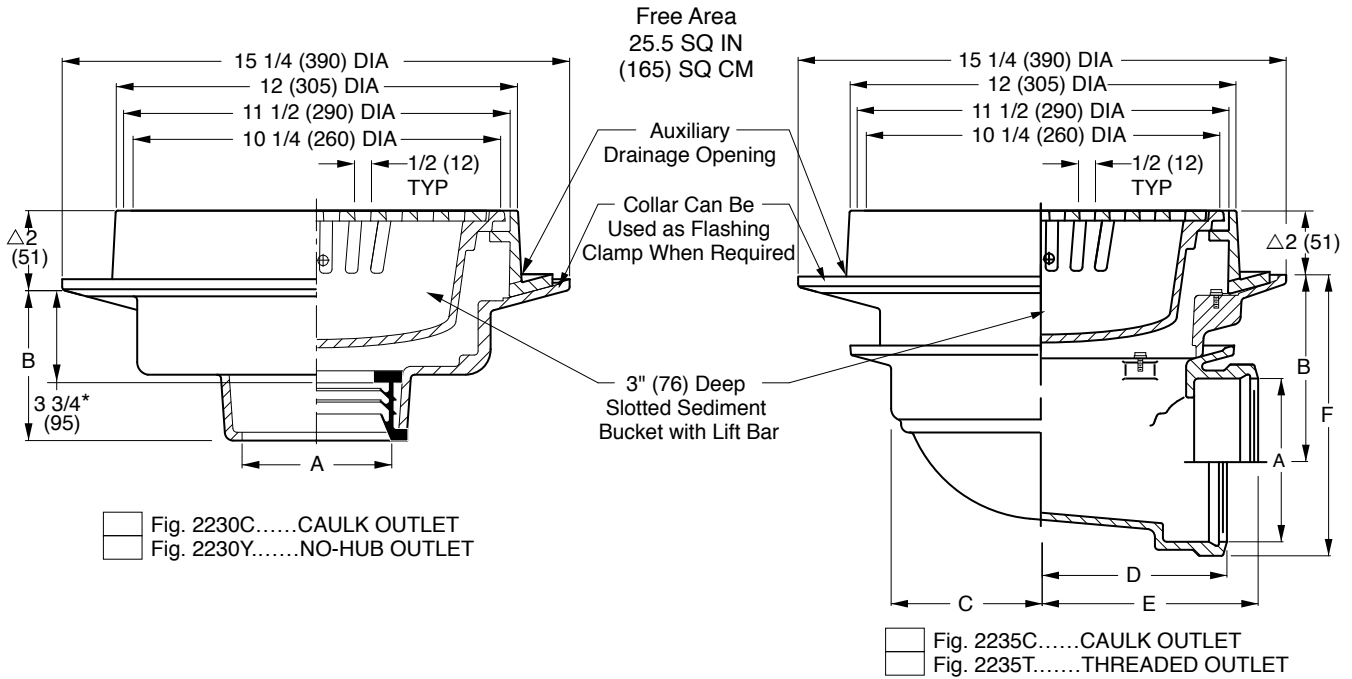


Fig. 2230C.....CAULK OUTLET
 Fig. 2230Y.....NO-HUB OUTLET

Fig. 2235C.....CAULK OUTLET
 Fig. 2235T.....THREADED OUTLET

A Size	B	
	Caulk, NO-HUB & Speedi-Set	Threaded
02(50),03(75)04(100) 05(125) & 06(150)	5 (125)	3 3/4 (95)

A SIZE	02(50)	03(75)	04(100)	05(125)	06(150)
B	6 7/8(175)	6 3/8(162)	5 7/8(149)	5(125)	4 1/2(115)
C	4 3/4(120)	4 3/4(120)	4 3/4(120)	6 1/4(160)	6 1/4(160)
D	6(150)	6(150)	6(150)	6 5/8(168)	6 7/8(175)
E	7 1/4(185)	7 1/2(190)	7 3/4(195)	7 3/4(195)	7 3/4(195)
F	8 5/8(219)	8 3/4(220)	8 3/4(220)	8 1/2(215)	8 1/2(215)

REGULARLY FURNISHED:
 Duco Cast Iron Body and Flashing Collar with Cast Iron ADA Grate and Slotted Sediment Bucket.

* This Dimension to Internal Stop of Speedi-Set Gasket.
 Δ Add 5/16" (8) when bronze top is specified.
 Δ Add 7/8" (22) when hinged cast iron top is specified.
 • Hinged grate not available in safe-set design. Full grate is provided with a suspended bucket.

VARIATIONS:

- Hinged Grate -H
- L Speedi-Set Service Weight 2(50), 3(75) & 4"(100) sizes only (Fig. 2230 only)
- LXH Speedi-Set Extra Heavy 2(50), 3(75) & 4"(100) sizes only (Fig. 2230 only)
- NO-HUB Adaptor (Specify Fig. 2646Y) (Fig. 2235 only)
- Solid Free Standing Bucket -B
- Square Top -S
- Trap Primer Connection -P050 1/2" (13) & -P075 3/4" (19) (Fig. 2230 only)
- Vandal Proof Grate -U
- Wide Deck Flange Drain (Specify Fig. DX2566)
- T Threaded Outlet
- Quad Close Trap Seal (Specify Fig. 2692) (Fig. 2230 Only)

OPTIONAL MATERIALS:

- Galvanized Cast Iron -G
- Nickel Bronze -NB
- Polished Bronze -PB

NOTE: 02(50), 03(75) & 04" (100) sizes require a transition collar (as shown in above illustration) which fits between the body & collar. 05 (125) & 06 (150) sizes do not require transition collar

NOTE: Dimensions shown in parentheses are in millimeters..

REV.	DATE	DESCRIPTION	BY	CKD.	WEIGHT POUNDS	VOLUME CUBIC FEET	FIGURE NUMBER
P	6-12-15	Revised Variations	TBW	CL			2230, 2235
N	8-27-10	Corrected Symbols & Dims.	RN	CL			
M	04/22/10	Corrected Symbols & Dims.	JJ	TK			
L	10/09/09	Added ADA Grate-opening Dim.	JJ	TK			