

B
DRAWING NUMBER S0310
SIZE A
SCALE: NONE
DATE: 12-18-89
APPROVED BY: JD
CHECKED BY: CR
DRAWN BY: EMB
0310, 0320
FIGURE NUMBER

SMITH® JAY R. SMITH MFG. CO.®
MEMBER OF MORRIS GROUP INTERNATIONAL
POST OFFICE BOX 3237
MONTGOMERY, ALABAMA 36109-0237 (USA)
TEL: 334-277-8520 FAX: 334-272-7396 www.jrsmith.com



LOCATION

ADJUSTABLE FIXTURE SUPPORTS
SHALLOW ROUGH-IN TYPE FOR BLOWOUT WATER CLOSETS

HORIZONTAL FITTINGS

SINGLE

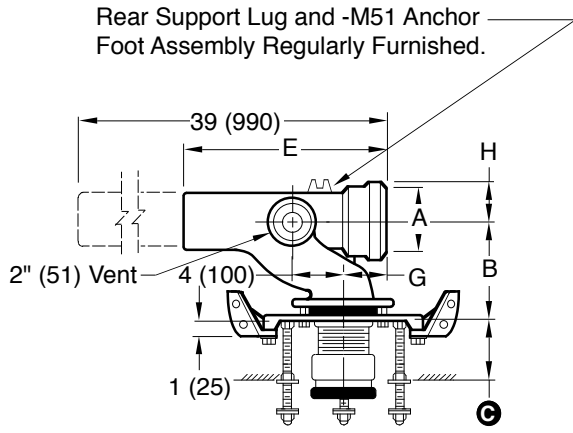


Fig. 0310R Top View

DOUBLE

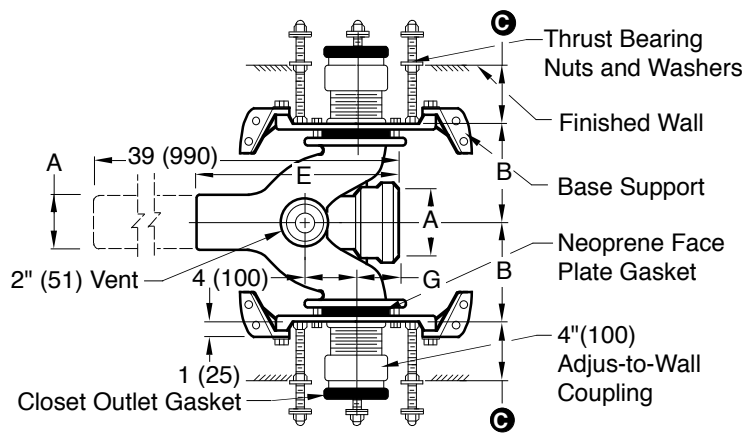
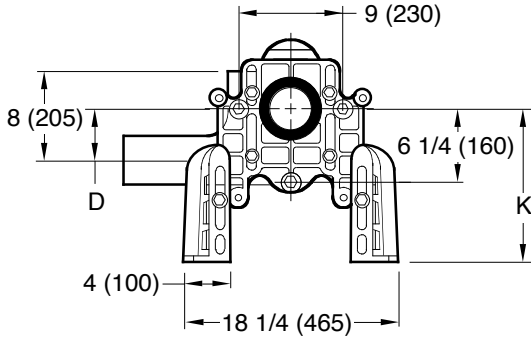


Fig. 0310D Top View

- Fig. 0310L . . . CAULK LEFT HAND
- Fig. 0310R . . . CAULK RIGHT HAND
- Fig. 0310D . . . CAULK DOUBLE
- Fig. 0320L . . . CAULK L.H. LONG BARREL
- Fig. 0320R . . . CAULK R.H. LONG BARREL
- Fig. 0320D . . . CAULK DOUBLE LONG BARREL

NOTE: When used with concealed flush valve locate face plate behind supply pipe.
NOTE: Base support must be securely anchored to floor with four 1/2" (13) bolts provided by contractor.
NOTE: See opposite side for C dimension and optional outlet connections.



BLOWOUT Front View

| A SIZE | B | D BLOWOUT | | E | G | H | K BLOWOUT | |
|---------|---------|------------|-------------|----------|------------|------------|--------------|--------------|
| | | MIN | MAX | | | | MIN | MAX |
| 4 (100) | 7 (180) | 1 7/8 (48) | 4 3/4 (120) | 16 (405) | 3 3/8 (89) | 3 (76) | 10 3/4 (275) | 15 3/4 (400) |
| 5 (125) | 9 (230) | 1 7/8 (48) | 4 3/4 (120) | 16 (405) | 3 3/8 (86) | 3 1/2 (89) | 10 3/4 (275) | 15 3/4 (400) |

NOTE: Dimensions shown in parentheses are in millimeters.

The water closet gasket regularly furnished is made of molded neoprene and designed to fit water closet outlet dimensions and configurations shown in ANSI Standard A112.19.2M-1982, Figure 13B. If gasket is not found to be compatible to fixture due to nonconformance of said fixture to ANSI A112.19.2M, then fixture manufacturer shall be consulted for a suitable gasket recommendation. Jay R. Smith assumes no liability for connections to fixtures which do not conform to these standards.

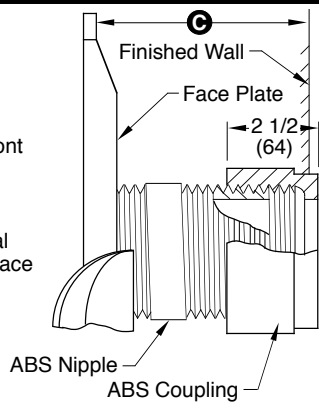
| | | | | | | | |
|------|------|-------------|----|---------|---------------|-------------------|-------------------|
| REV. | DATE | DESCRIPTION | BY | CKD. BY | WEIGHT POUNDS | VOLUME CUBIC FEET | FIGURE NUMBER |
| | | | | | | | 0310, 0320 |

MODIFICATIONS & VARIATIONS

⊙ DIMENSION - ADJUS-TO-WALL TYPE OUTLET CONNECTION

The Smith Adjus-to-Wall outlet connection provides adjustment at the face of the wall at the time the fixture is set; thus, compensating for wall construction variations. The ⊙ dimension is measured from the front of the face plate to the finished wall. To properly determine the length of nipple required, deduct 1" (25) from the ⊙ dimension. When the ⊙ dimension exceeds 7" (180), the -M40 Wide Pipe Chase Support is recommended. The Adjus-to-Wall coupling will provide 1/2" (13) horizontal adjustment in either direction with the coupling extended 5/16" (8) past face of the finished wall.

⊙ dimension = 4" (100) (regularly furnished) consisting of nipple and adjus-to-wall coupling permitting adjustment from 3" (76) min. to 4" (100) max.
 *ABS (Regularly Furnished) other length PVC.



NIPPLE LENGTHS AVAILABLE

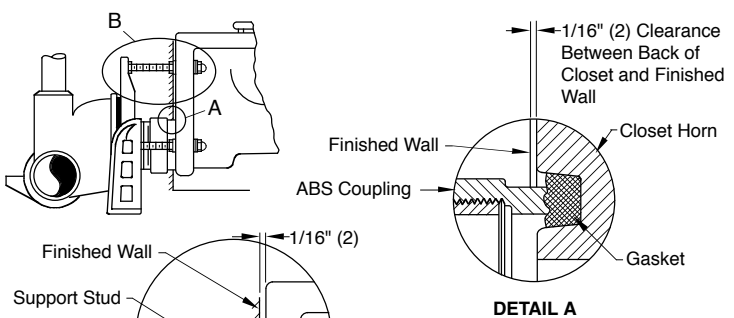
| LENGTH | MIN | ⊙ | MAX |
|--------------|--------------|--------------|-----|
| 2 1/2 (64) | 2 1/4 (57) | 3 1/4 (83) | |
| *3 1/4 (83) | 3 (76) | 4 (100) | |
| *8 1/4 (210) | 8 (205) | 9 (230) | |
| 10 (255) | 9 3/4 (250) | 10 3/4 (275) | |
| 12 (305) | 11 3/4 (300) | 12 3/4 (325) | |
| 15 (380) | 14 3/4 (376) | 15 3/4 (400) | |
| 18 (455) | 17 3/4 (450) | 18 3/4 (475) | |

NOTE: When nipple lengths between 3 1/4" (83) and 8 1/4" (210) are specified, the 8 1/4" (210) nipple will be supplied. Nipple must be cut to specified length by others.

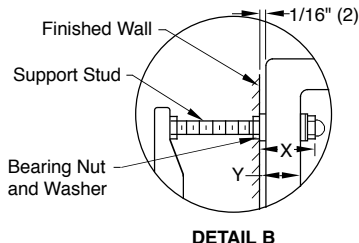
RECOMMENDED SETTING OF CLOSET OUTLET CONNECTION AND FIXTURE STUDS

Manufacturers have slight differences in the depth of the closet horn and flange thickness of their closets. Usually the fixture support closet connection should extend 5/16" (8) beyond face of finished wall (Dimension "R") and the fixture studs 2 1/4" (57) (Dimension "X"). For exact dimensions please use the formulas below.

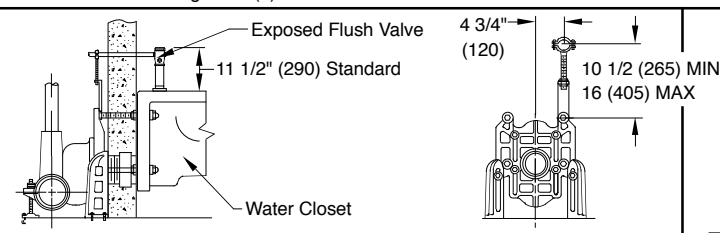
DETAIL A Formula for "R" is: $S + 1/16" (2) - D = R$.
 S = Depth of closet horn
 1/16" (2) = Distance closet is to set away from finished wall.
 D = 1/2" (13) for felt gasket and 3/8" (10) for neoprene gasket.
 R = Distance coupling should extend beyond finished wall.
 NOTE: When the fixture is installed, closet gasket must be compressed sufficiently to assure a gas and water-tight seal.



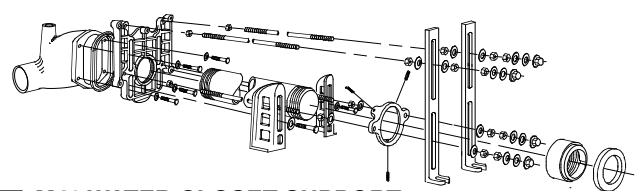
DETAIL B Formula for "X" is: $Y + 1/16" (2) + 9/16" (14) = X$.
 Y = Thickness of closet wall flange.
 1/16" (2) = Distance closet is to set away from finished wall.
 X = Distance supporting stud should extend beyond finished wall.
 NOTE: Bearing nuts and washers must be set to take full loading from the fixture allowing 1/16" (2) clearance between fixture and wall.



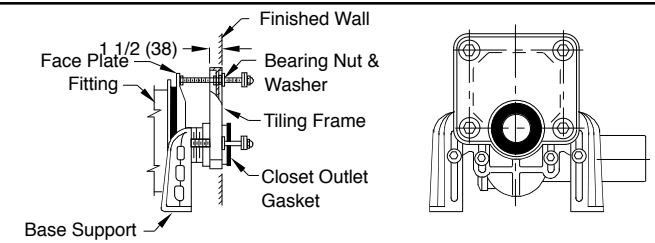
NOTE: Dimensions shown in parentheses are in millimeters.



Provides support and alignment for the supply pipe to an exposed flush valve; must be specified for either 1" (25) copper tube or 1" (25) iron pipe.
 SUFFIX -M12 EXPOSED FLUSH VALVE SUPPLY SUPPORT



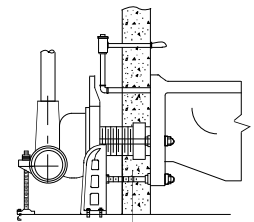
-M40 WATER CLOSET SUPPORT FOR WIDE PIPE CHASE (USE WHEN ⊙ DIMENSION EXCEEDS 7" (180))



SUFFIX -M13 TILING FRAME - POLYSTYRENE

CONCEALED FLUSH VALVES

A concealed flush valve when used with a blowout water closet support will not clear the face plate. Therefore 4 1/2" (115) to 6 1/2" (165) is required from back of wall to face plate to permit the installation of the concealed flush valve piping.



DRAWING NUMBER: S0200BS
 SIZE: A
 SCALE: NONE
 DATE: 2-28-86
 APPROVED BY: JD
 CHECKED BY: CR
 DRAWN BY: VGD
 0200/0300 Series Back Sheet

WE CAN ASSUME NO RESPONSIBILITY FOR USE OF SUPERSEDED OR VOID DATA
 DIMENSIONS ARE SUBJECT TO MANUFACTURERS TOLERANCE AND CHANGE WITHOUT NOTICE

| REV. | DATE | DESCRIPTION | BY | CKD. BY |
|------|----------|-------------------|-----|---------|
| C | 12-10-03 | Revised Notes | RN | CL |
| B | 6-1-95 | Added Millimeters | EMB | BS |
| A | 7-1-93 | Submittal Update | EMB | BS |

| | | |
|---------------|-------------------|------------------------------------|
| WEIGHT POUNDS | VOLUME CUBIC FEET | FIGURE NUMBER |
| | | 0200/0300 Series Back Sheet |