

ADJUSTABLE FIXTURE SUPPORTS

FOR SIPHON JET WATER CLOSETS DEEP ROUGH-IN TYPE

DRAWING NUMBER
S0130

SIZE
A

SCALE:
NONE

DATE:
10-27-69

APPROVED BY:

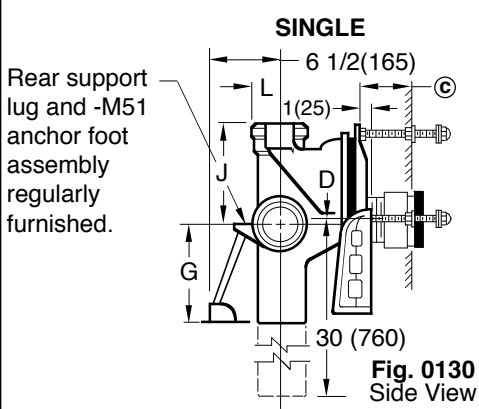
CHECKED BY:
RP

DRAWN BY:
RVB

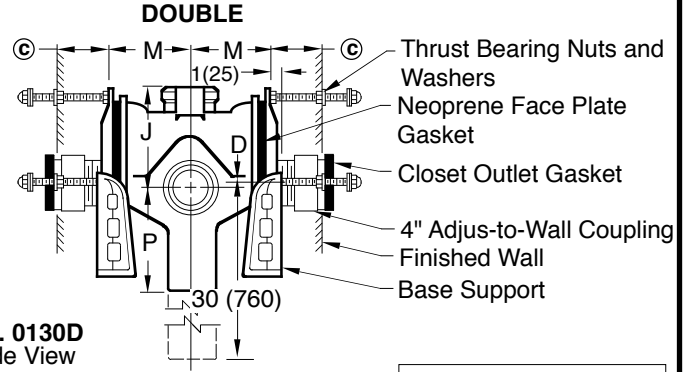
FIGURE NUMBER
0130-0160

WE CAN ASSUME NO RESPONSIBILITY FOR USE OF SUPERSEDED OR VOID DATA

DIMENSIONS ARE SUBJECT TO MANUFACTURERS TOLERANCE AND CHANGE WITHOUT NOTICE

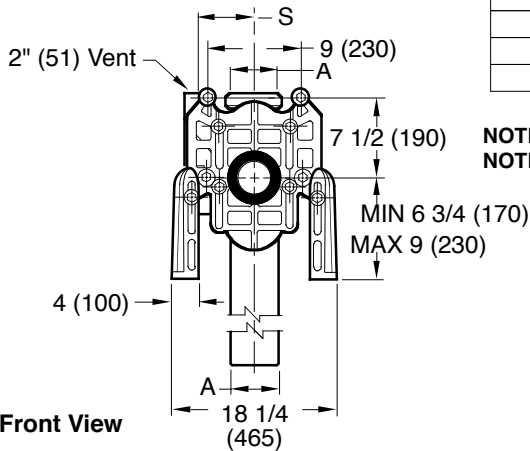


VERTICAL FITTINGS



Rear support lug and -M51 anchor foot assembly regularly furnished.

Thrust Bearing Nuts and Washers
 Neoprene Face Plate Gasket
 Closet Outlet Gasket
 4" Adjus-to-Wall Coupling
 Finished Wall
 Base Support



- Fig. 0130 CAULK
- Fig. 0130B THREAD
- Fig. 0160 CAULK LONG BARREL
- Fig. 0130D CAULK DOUBLE
- Fig. 0130DB THREAD DOUBLE
- Fig. 0160D CAULK DOUBLE LONG BARREL

The water closet outlet gasket regularly furnished is made of molded neoprene and designed to fit water closet outlet dimensions and configurations shown in ANSI Standard A112.19.2M-1995, Figure 13B. If gasket is not found to be compatible to fixture due to nonconformance of said fixture to ANSI A112.19.2M, then fixture manufacturer shall be consulted for a suitable gasket recommendation. Jay R. Smith assumes no liability for connections to fixtures which do not conform to these standards.

NOTE: 1 1/2" (38) or 2" (51) tapped inlet available. Add suffix-N.
NOTE: Base Support must be firmly anchored to floor (with four 1/2" (13) bolts provided by contractor).

NOTE: Long barrel available in 4" (100) size only. For 6" (150) size, specify prefix CV.

A	D	G	J	L	M	P	S
size	min	max	caulk	thread		caulk	thread
4 (100)	1 1/2 (38)	5 1/2 (140)	8 (205)	6 1/4 (160)	9 (230)	3 (76)	7 (180)
5 (125)	1/2 (13)	4 1/2 (115)	9 (230)	7 1/4 (185)	8 (205)	3 1/2 (89)	7 1/2 (190)
						10 (255)	8 (205)
						11 (280)	9 (230)
						12 (305)	10 (255)
						13 (330)	11 (280)
						14 (355)	12 (305)
						15 (380)	13 (330)
						16 (405)	14 (355)
						17 (430)	15 (380)
						18 (455)	16 (405)

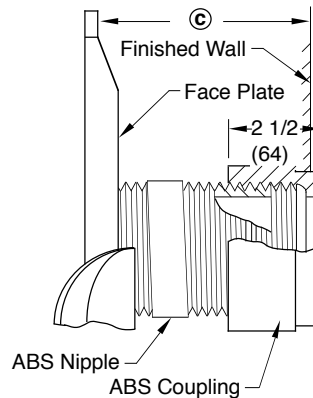
Conforms with the requirements of ASME A112.6.1M up to a 500 lbs (227kg) static load rating.

© DIMENSION - ADJUS-TO-WALL TYPE OUTLET CONNECTION

The Smith Adjus-to-Wall outlet connection provides adjustment at the face of the wall at the time the fixture is set; thus, compensating for wall construction variations. The © dimension is measured from the front of the face plate to the finished wall. To properly determine the length of nipple required, deduct 1" from the © dimension. The Adjus-to-Wall coupling will provide 1/2" horizontal adjustment in either direction with the coupling extended 5/16" past face of the finished wall.

© dimension = 4" (100) (regularly furnished) consisting of nipple and Adjus-to-Wall coupling permitting adjustment from 3" 76" min. to 4" (100) max.

*ABS (Regularly Furnished) other lengths PVC.



NIPPLE LENGTHS AVAILABLE

LENGTH	MIN. ©	MAX.
2 1/2(64)	2 1/4(57)	3 1/4(83)
*3 1/4(83)	3(76)	4(100)
*8 1/4(210)	8(205)	9(230)
10(255)	9 3/4(250)	10 3/4(275)
12(305)	11 3/4(300)	12 3/4(325)
15(380)	14 3/4(375)	15 3/4(400)
18(455)	17 3/4(450)	18 3/4(475)

NOTE: When nipple lengths between 3 1/4" (83) and 8 1/4" (210) are specified, the 8 1/4" (210) nipple will be supplied. Nipple must be cut to specified length by others.

REV.	DATE	DESCRIPTION	BY	CKD. BY
G	12-7-22	Added Note Revised Rear Support Lug note Submittal Update Submittal Update	KK	CL
F	6-23-99		ASL	BS
E	6-30-98		ASL	MCD
D	4-18-94		EMB	

WEIGHT POUNDS	VOLUME CUBIC FEET	FIGURE NUMBER
		0130-0160

MODIFICATIONS & VARIATIONS FOR SIPHON JET WATER CLOSETS

RECOMMENDED SETTING OF CLOSET OUTLET CONNECTION AND FIXTURE STUDS

Manufacturers have slight differences in the depth of the closet horn and flange thickness of their closets. Usually the fixture support closet connection should extend 5/16" (8) beyond face of finished wall (Dimension "R") and the fixture studs 2 1/4" (57) (Dimension "X"). For exact dimensions please use the formulas below.

DETAIL A Formula for "R" is: $S + 1/16" (2) - D = R$.
 S = Depth of closet horn
 1/16" (2) = Distance closet is to set away from finished wall.
 D = 1/2" (13) for felt gasket and 3/8" (10) for neoprene gasket.
 R = Distance coupling should extend beyond finished wall.
 NOTE: When the fixture is installed, closet gasket must be compressed sufficiently to assure a gas and water-tight seal.

DETAIL B Formula for "X" is: $Y + 1/16" (2) + 9/16" (14) = X$.
 Y = Thickness of closet wall flange.
 1/16" (2) = Distance closet is to set away from finished wall.
 X = Distance supporting stud should extend beyond finished wall.
 NOTE: Bearing nuts and washers must be set to take full loading from the fixture allowing 1/16" (2) clearance between fixture and wall.

NOTE: Dimensions shown in parentheses are in millimeters.

OPTIONAL CLOSET OUTLET CONNECTIONS

TYPE NO. 2

TYPE 2M

	MIN	\textcircled{C}	MAX
TYPE 2M	1 1/4" (32)	5 1/2" (140)	

*Type No. 2 should be used when Max. dimension is exceeded.

SUFFIX -M12 EXPOSED FLUSH VALVE SUPPLY SUPPORT

SUFFIX -M13 TILING FRAME - POLYSTYRENE

TYPE -M73 Closet outlet connector for use with stainless steel fixture

TYPE -M74 Closet outlet for use with stainless steel fixture

SUFFIX -M13 TILING FRAME - POLYSTYRENE

-M40 Recommended when \textcircled{C} dimension exceeds 7" (180).

-M40 WATER CLOSET SUPPORT FOR WIDE PIPE CHASE

FIGURE NUMBER	D	2-27-12	Rev. Note Type 2 outlet	TBW	AM	WEIGHT POUNDS	VOLUME CUBIC FEET	FIGURE NUMBER
	C	12-10-03	Added Note	RN	CL			
B	2-26-96	Added Millimeters	EMB	BS	Back Sheet			
REV.	DATE	DESCRIPTION			BY	CKD. BY		

100/400 Series Back Sheet

DRAWING NUMBER S0100BS
 SCALE: NONE
 DATE: 1-16-85
 APPROVED BY: JD
 CHECKED BY: CR
 DRAWN BY: VGD
 DIMENSIONS ARE SUBJECT TO MANUFACTURERS TOLERANCE AND CHANGE WITHOUT NOTICE