

SPECIFICATION:

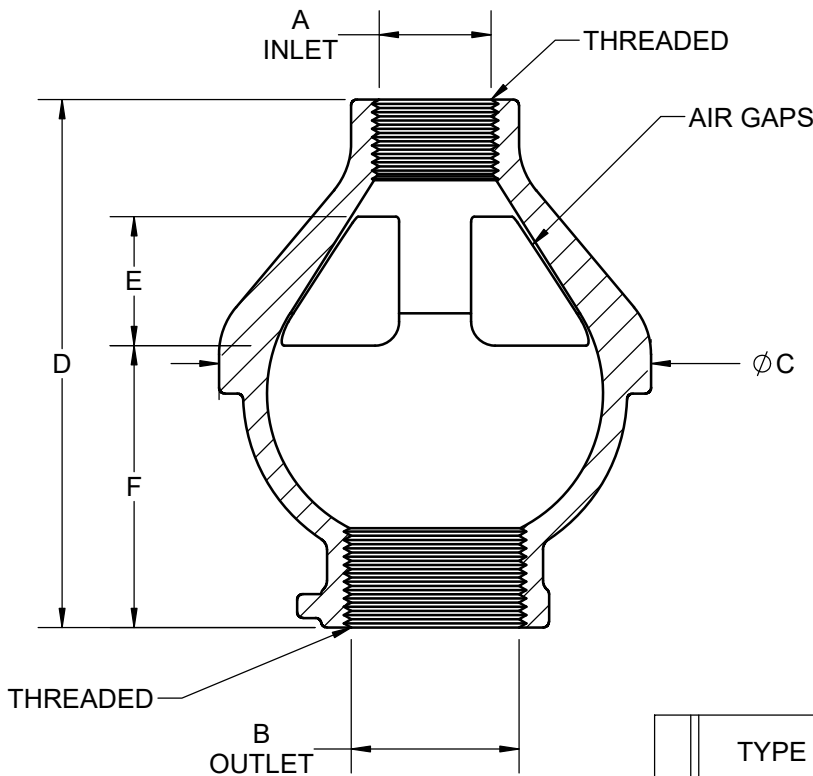
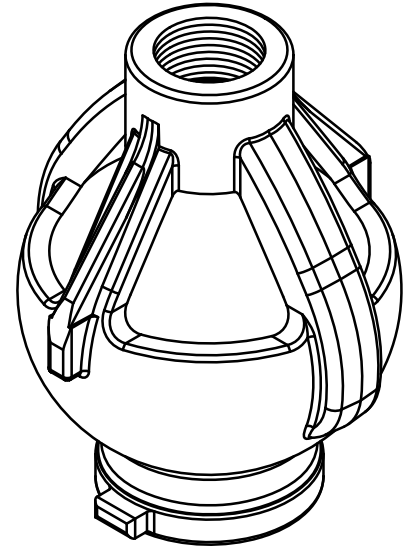
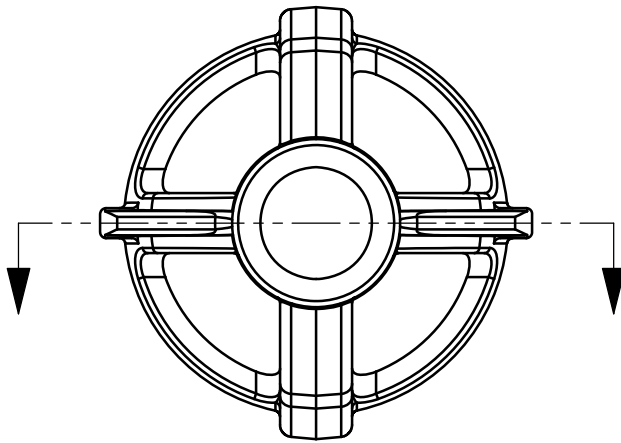
JOSAM 88910 SERIES COATED CAST IRON AIR GAP WITH INTEGRALLY CAST AIR PORTS, FEMALE THREADED INLET AND OUTLET.

TRAPS & ACCESORIES

AIR GAP

SERIES

88910



	TYPE	A	B	C	D	E	F
	88910-1	1/4	3/4	2	3	1	1-5/8
	88910-2	1/2	3/4	2	3	1	1-5/8
	88910-3	1/2	1	2	3	1	1-5/8
	88910-4	3/4	1-1/2	4-1/2	5-1/2	1-5/8	3
	88910-5	1	1-1/2	4-1/2	5-1/2	1-5/8	3

-40 GALVANIZED CAST IRON PARTS

NOTE: INSTALL AIR GAP IN EXPOSED LOCATION WHERE MINOR SPLASHING WILL NOT BE A PROBLEM.

WARNING: Cancer and Reproductive Harm - www.P65Warnings.ca.gov

DATE OF LAST CHANGE: 06/28/18

DIMENSIONS ARE SUBJECT TO MANUFACTURERS TOLERANCES AND CHANGE WITHOUT NOTICE. WE CAN ASSUME NO RESPONSIBILITY FOR USE OF SUPERSEDED OR VOID DATA.

JOSAM

MICHIGAN CITY, INDIANA

NOTES