

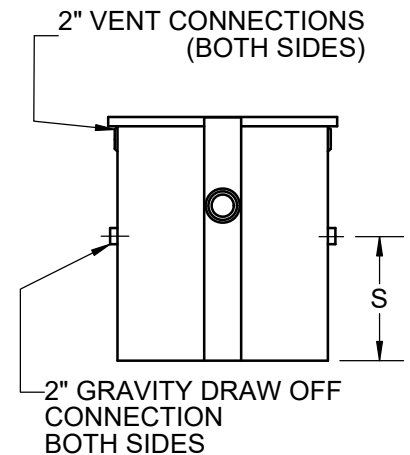
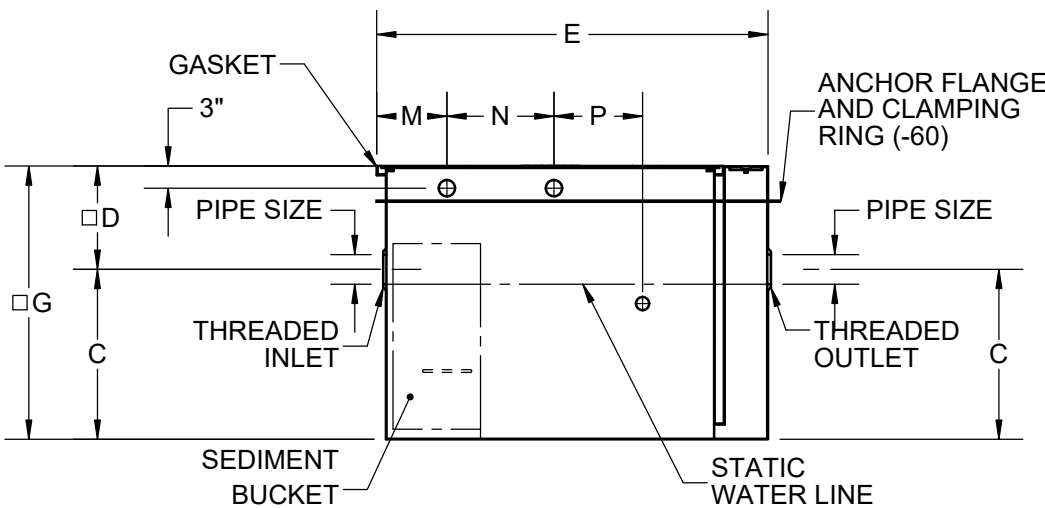
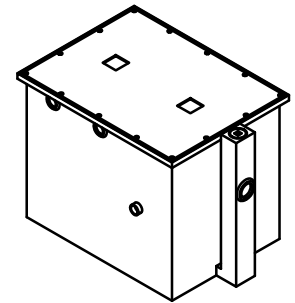
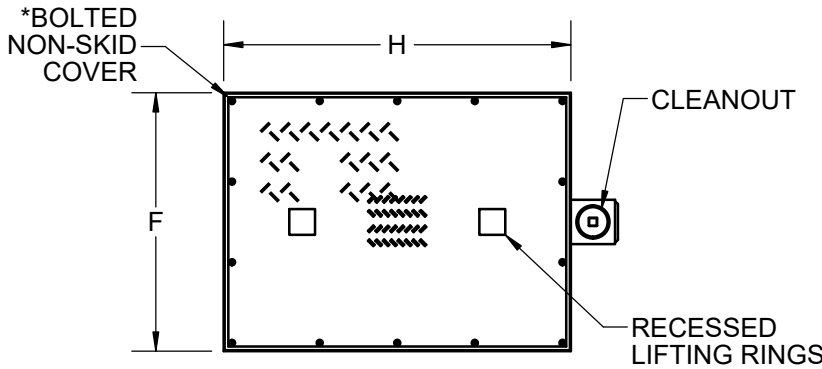
SPECIFICATION:

JOSAM 60610A-EXT SERIES EPOXY COATED FABRICATED STEEL OIL SEPARATOR, HIGH-VOLUME, DEEP ROUGHING, INTEGRAL EXTENSION, THREADED CONNECTIONS, VISIBLE DOUBLE WALL TRAP AND SEDIMENT BUCKET, ADJUSTABLE GRAVITY DRAW-OFF EITHER SIDE, TWO VENT CONNECTIONS ON EACH SIDE, GASKETED NON-SKID COVER AND FLOW-CONTROL FITTING.

**OIL SEPARATOR
DRAW-OFF,
HIGH-VOLUME TYPE**

SERIES **60610A-EXT**

FORMERLY 60600A SERIES



□ DIMENSIONS BASED ON STANDARD 6" EXTENSION

X	-EXT	EXTENSION, 6" STANDARD (SPECIFY EXT. HEIGHT)
Δ	-EST	EXTRA STORAGE TANK
	-EXT-60	ANCHOR FLANGE WITH EXTENSION, 6" STANDARD (SPECIFY EXT. HEIGHT)
	-EXT-61	FLANGE AND CLAMP DEVICE WITH EXTENSION, 6" STANDARD (SPECIFY EXT. HEIGHT)
	-HD	HEAVY-DUTY COVER

SPECIFY:
D = _____
G = _____

Δ SEPARATE SUBMITTAL FOR THIS OPTION AVAILABLE

	TYPE	FLOW RATE	PIPE SIZE	C	□D	E	F	□G	H	M	N	P	S
	*60611A	75	3	21	12	46-1/4	31	33	41	8-1/4	12-1/2	10-1/4	13-1/2
	*60612A	100	4	23	14	54	35	37	47	9-1/2	14-1/2	12-1/2	15-1/4
	*60613A	150	4	27	14	60	39	41	53	10-1/2	16-1/2	14-1/2	19-1/4
	60614A	200	5	31-1/2	16	67	42	47-1/2	58	11-1/2	18-1/8	16	26-1/4
	60615A	250	5	35-1/2	16	72	46	51-1/2	63	12-1/2	20-1/4	17-1/2	29-3/4
	60616A	350	6	39-1/2	18	80	52	57-1/2	71	13-1/2	23	19-3/4	34-1/4
	60617A	500	6	43-1/2	18	91	59	61-1/2	82	16	27	23	38-1/4

*THESE SIZES FURNISHED WITH ONE-PIECE COVER

PRODUCT IS NON-CANCELABLE AND NON-RETURNABLE NAME: _____ SIGNATURE: _____ DATE: _____

DATE OF LAST CHANGE: 05/11/21

DIMENSIONS ARE SUBJECT TO MANUFACTURERS TOLERANCES AND CHANGE WITHOUT NOTICE. WE CAN ASSUME NO RESPONSIBILITY FOR USE OF SUPERSEDED OR VOID DATA.



NOTES

WARNING: Cancer and Reproductive Harm - www.P65Warnings.ca.gov