

Electric Actuator • AE-880

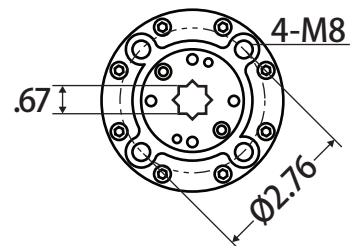
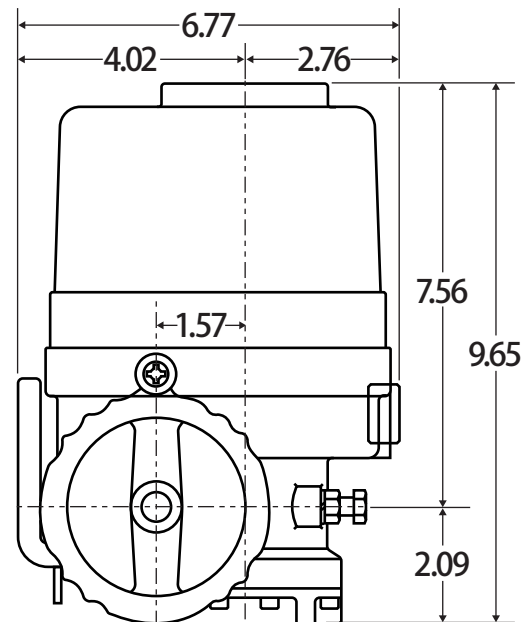
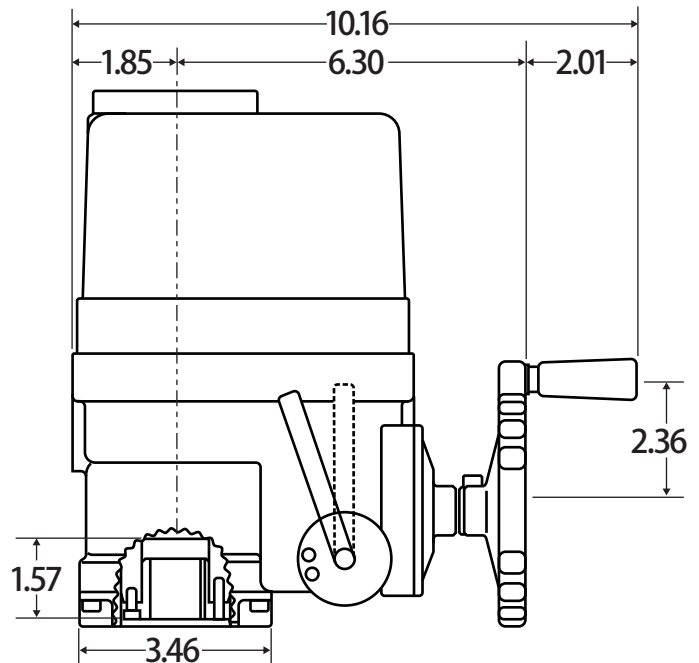


Double Acting • Nema 4x • Manual Override



AE-880

Note: 5" of clearance needed to remove cover



Features

- Hard anodized aluminum housing with external powder coating for severe duty applications
- Enclosure: IP67, NEMA4 and 4X, O-ring sealed
- ISO 5211 mounting
- 90° operation
- Adjustable mechanical stops to prevent over travel
- Position indicator
- De-clutchable manual override standard
- 120V / 1Ph / 60Hz
- Thermally protected induction motor
- Double worm gearing, no break required
- Spring loaded terminal block for ease in wiring

Approvals

- Certification: CSA Master Contract 600247
- Classification: 3221 02 – Valve – Actuators; 3221 82 - Valves – Actuators – Certified to US Standards
- Canadian: C22.2 No. 139-1982 – Electrically Operated Valves
- United States: ANSI/UL St. 429 6th Ed.-2009 – Electrically Operated Valves

Actuator Specs

Torque (in-lbs)	880
Output Square	0.67
ISO 5211 Mounting	F07
IEC Duty Cycle (S2)	Max 20 min
IEC Duty Cycle (S4)	50%
Operating Time, 90° @ 120V (secs)	18
Rated current @ 120V (Amp.) (Full Load/ Locked Rotor)	1.10/1.35
Motor Insulation Class	F
Weight (lbs)	15.4
Limit Switches	2 - 1 ea for Open & Close (10A, 250VAC)
Auxiliary Limit Switches	2 - 1 ea for Open & Close (10A, 250VAC)
Cable Entry	2 - 3/4" NPT
Internal Htr.	Yes - 5W
Temperature Range	-4° F to 158° F
Torque OL Protection	No

Each actuator must be powered through its own individual limit switch or relay contacts to prevent cross feed between two or more actuators. Not doing so will cause damage to the actuators and impact your process control as well as void warranty.

Electric Actuator • AE-880



Wiring Diagram

