



### 150.2400 | 4-Hole Deck Mounted Roman Tub Filler With Hand Held Shower

#### SPECIFICATIONS:

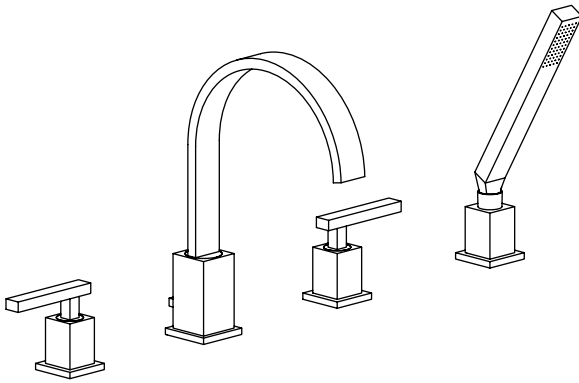
- Solid Brass construction - includes valves
- Four Hole Installation
- Flow Rate = 7.0 GPM @ 60 PSI
- Hand Shower Flow Rate = 2.0 GPM @ 60 PSI w/ back flow prevention
- Diverter handle controls water flow between spout and hand held

#### FINISHES :

- Chrome - 150.2400CP

#### STANDARDS:

- ASME A112.18.1 / CSA B125.1



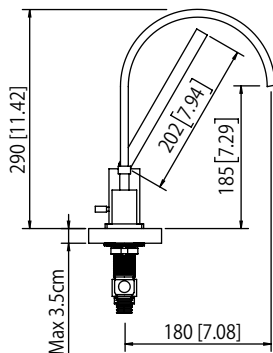
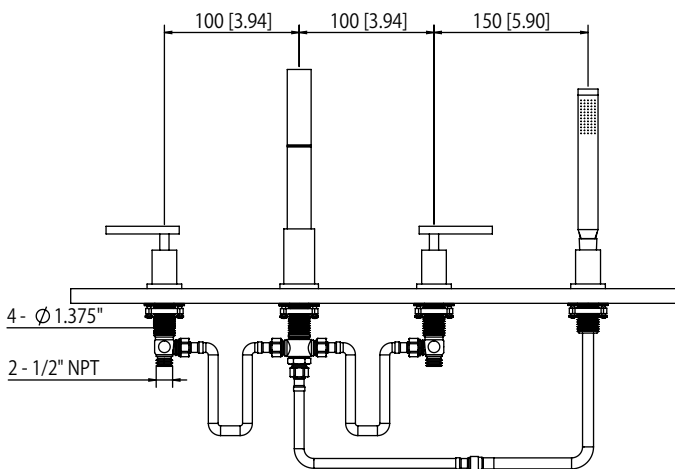
Legislation Compliance



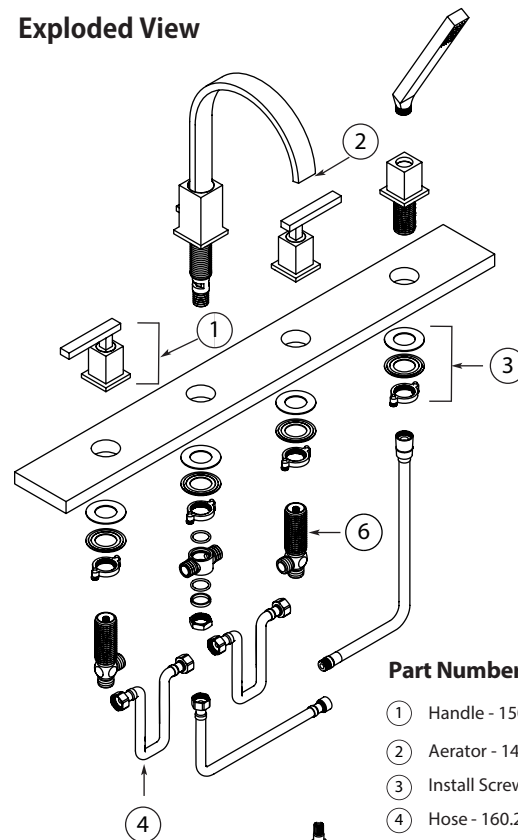
ZeroDrip Technology



#### Technical Diagram



#### Exploded View



#### Part Number Guide:

- ① Handle - 150.2410-2352CP - Chrome
- ② Aerator - 145.2000-2364
- ③ Install Screws - 160.2000-2581
- ④ Hose - 160.2000-8738
- ⑤ Cartridge - 160.2400-18000 (Hot)  
Cartridge - 160.2400-18001 (Cold)
- ⑥ Spare Hot Valve - 24206  
Spare Cold Valve - 24207