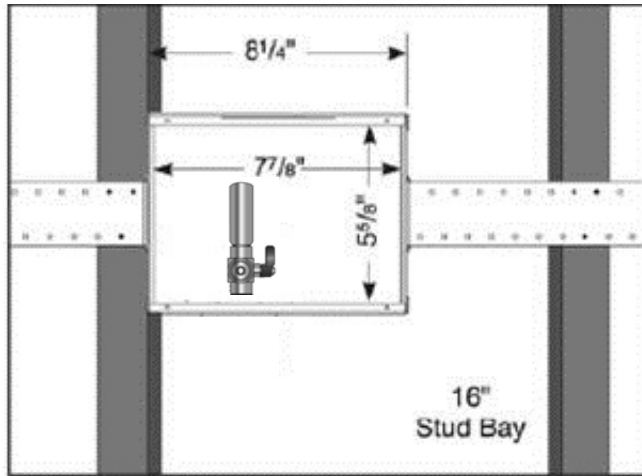


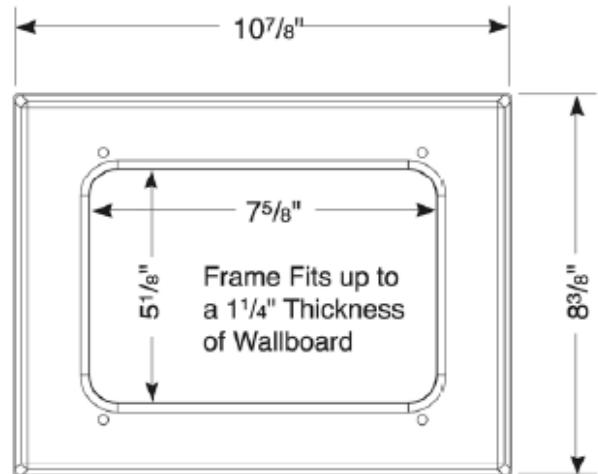
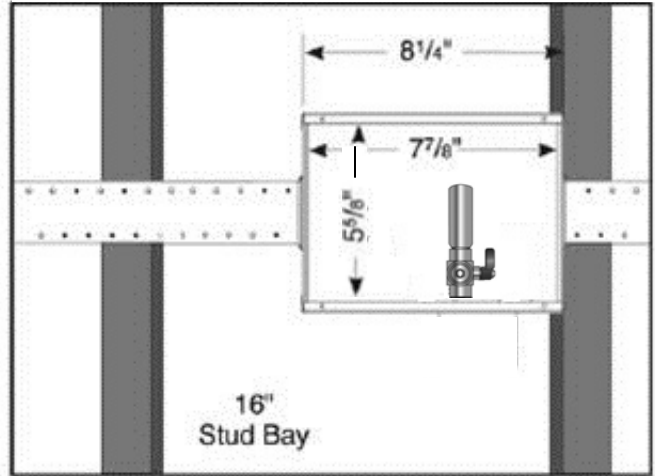


Commercial 3/8" Outlet Hammer Arrester Valve, Metal Dishwasher and Ice Maker Outlet Box with Drain

Right Hand Drain Option



Left Hand Drain Option



SPECIFICATION

Furnish and install commercial 3/8" outlet, white powder coated metal ice maker and dishwasher outlet box with 2" drain. Box shall have a 3/8" outlet, quarter turn hammer arrester valve meeting Lead-Free requirements NSF61-NSF/ANSI 372. Valve complies with ASSE 1010. Valve may be installed in any knockout of the outlet box. Unit shall be Guy Gray™ product code checked below as manufactured by IPS Corporation.

Product Code #	Model Number	Product Description	Units/Case	UPC
88436	RMDW1AB	2" Slipnut Drain Kit, Brass Qtr Turn Hammer Arrester Valve, Uninstalled, 1/2" Sweat Conx. with 3/8" Compression Outlet	5	012181-884362

