



INDOOR CLEANING

Dishwasher
KDW

Installation Manual

 HESTAN

⚠ WARNING

IF THE INFORMATION IN THIS MANUAL IS NOT FOLLOWED EXACTLY, A FIRE OR EXPLOSION MAY RESULT CAUSING PROPERTY DAMAGE, PERSONAL INJURY, OR DEATH.

Do not store or use gasoline or other flammable vapors and liquids in the vicinity of this or any other appliance.

Installation and service must be performed by a qualified installer or service agency.

DO NOT REPAIR, REPLACE OR REMOVE ANY PART OF THE APPLIANCE UNLESS SPECIFICALLY RECOMMENDED IN THE MANUAL. IMPROPER INSTALLATION, SERVICE OR MAINTENANCE CAN CAUSE INJURY OR PROPERTY DAMAGE. REFER TO THIS MANUAL FOR GUIDANCE. ALL OTHER SERVICING SHOULD BE DONE BY A QUALIFIED TECHNICIAN.

READ THESE INSTRUCTIONS CAREFULLY AND COMPLETELY BEFORE INSTALLING OR USING YOUR APPLIANCE TO REDUCE THE RISK OF FIRE, BURN HAZARD, OR OTHER INJURY. KEEP THIS MANUAL FOR FUTURE REFERENCE.

SAFETY DEFINITIONS

⚠ WARNING

THIS INDICATES THAT DEATH OR SERIOUS INJURY MAY OCCUR AS A RESULT OF NOT OBSERVING THIS WARNING

⚠ CAUTION

THIS INDICATES THAT MINOR OR MODERATE INJURY MAY OCCUR AS A RESULT OF NOT OBSERVING THIS WARNING.

NOTICE

THIS INDICATES THAT DAMAGE TO THE APPLIANCE OR PROPERTY MAY OCCUR AS A RESULT OF NOT OBSERVING THIS WARNING.

INSTALLER: LEAVE THIS MANUAL WITH THE OWNER OF THE APPLIANCE.
HOMEOWNER: RETAIN THIS MANUAL FOR FUTURE REFERENCE.

TABLE OF CONTENTS

1	SAFETY PRECAUTIONS - BEFORE YOU BEGIN
2	MODEL NUMBERS
2	RATING LABEL
2	REGULATORY / CODE REQUIREMENTS
3	PRODUCT WARNINGS / SAFETY
4	LOCATION AND PREPARATION
8	INSTALLATION
14	OVERLAY PANEL
16	FINAL STEPS
18	SERVICE

SAFETY PRECAUTIONS - BEFORE YOU BEGIN

When properly cared for, your Hestan appliance will provide safe, reliable service for many years. When using this appliance, basic safety practices must be followed as outlined below.

IMPORTANT: Save these instructions for the local Utility Inspector's use.

INSTALLER: Please leave these Installation Instructions with the owner.

OWNER: Please retain these Installation Instructions for future reference.

This appliance is NOT designed for installation in manufactured (mobile) homes or recreational park trailers. Do NOT install this appliance outdoors.

⚠️ WARNING

ELECTRICAL SHOCK HAZARD

Disconnect power before installing or servicing appliance. Failure to do so can result in death or electrical shock.

ELECTRICAL GROUNDING

- This appliance must be grounded. Grounding reduces the risk of electric shock in the event of a short circuit.
- DO NOT ground to a gas pipe.
- DO NOT use an extension cord with this appliance.
- DO NOT have a fuse in the NEUTRAL or GROUNDING circuit. A fuse in the NEUTRAL or GROUNDING circuit could result in an electrical shock.



MODEL NUMBERS

DISHWASHER MODELS

MODEL NO.	DESCRIPTION	CIRCUIT BREAKER REQ'D
KDW24	24" Dishwasher, Stainless Steel Door	15 Amp
KDW24-OV	24" Dishwasher, Overlay Door	15 Amp
KDW24-XX	24" Dishwasher, Color Door	15 Amp

RATING LABEL

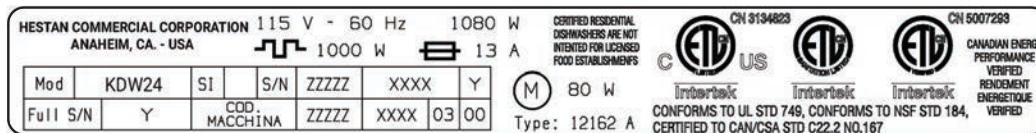
The rating label contains important information about your Hestan appliance such as the model, serial number, and electrical rating.

The rating label is located on the right side of the door edge.

If service is necessary, contact Hestan Customer Care with the model and serial number information shown on the label.



Rating Label Location



Typical Rating Label

REGULATORY / CODE REQUIREMENTS

Installation of this dishwashing appliance must be made in accordance with local codes. In the absence of local codes, this unit should be installed in accordance with the National Electrical Code and local codes.

This appliance must be electrically grounded in accordance with local codes or in the absence of local codes with the National Electrical Code *ANSI/NFPA 70*, or Canadian Electrical code *CSA C22.1*.

NOTICE

THIS MANUAL IS AN INTEGRAL PART OF THE APPLIANCE:

IT MUST ALWAYS BE KEPT INTACT TOGETHER WITH THE DISHWASHER. BEFORE USING THE APPLIANCE, CAREFULLY READ ALL THE INSTRUCTIONS CONTAINED IN THIS MANUAL. INSTALLATION MUST BE PERFORMED BY A QUALIFIED TECHNICIAN, IN COMPLIANCE WITH LOCAL CODES. THIS APPLIANCE IS INTENDED FOR DOMESTIC USE AND SIMILAR APPLICATIONS SUCH AS THE STAFF KITCHENS OF SHOPS, OFFICES AND OTHER WORKPLACES, INSTITUTIONS, AND FOR THE USE OF GUESTS AT HOTELS, HOSTELS, BED AND BREAKFAST ESTABLISHMENTS AND OTHER RESIDENTIAL FACILITIES.

THE APPLIANCE IS DESIGNED FOR THE FOLLOWING PURPOSE: WASHING AND DRYING DISHES. ANY OTHER USE SHALL BE CONSIDERED IMPROPER. THE MANUFACTURER DECLINES ALL RESPONSIBILITY FOR USES OTHER THAN THOSE DESCRIBED ABOVE.

THIS APPLIANCE IS NOT SUITABLE FOR USE ON BOATS, RECREATIONAL VEHICLES OR THE LIKE. DISHWASHERS CERTIFIED FOR DOMESTIC USE ARE NOT SUITABLE FOR COMMERCIAL APPLICATIONS.

THE RATING LABEL FEATURING THE TECHNICAL DATA, SERIAL NUMBER AND MARKINGS IS VISIBLY POSITIONED ON THE RIGHT EDGE OF THE DOOR. THE RATING LABEL MUST NEVER BE REMOVED.

⚠ CAUTION

CHECK THAT THE VOLTAGE, FREQUENCY AND PROTECTION OF THE DOMESTIC MAINS POWER SUPPLY MATCH THE RATINGS ON THE RATING PLATE OF THE APPLIANCE.

⚠ WARNING

DO NOT LEAVE DISCARDED PACKAGING MATERIALS UNSUPERVISED WITHIN THE HOME. SEPARATE THE VARIOUS PACKAGING MATERIALS AND TAKE THEM TO THE NEAREST SORTED WASTE COLLECTION CENTRE. KEEP CHILDREN, PHYSICALLY AND/OR MENTALLY IMPAIRED ADULTS, AND ANIMALS AWAY FROM PACKAGING WASTE; DANGER OF SUFFOCATION.

BEFORE PROCEEDING WITH INSTALLATION, TURN OFF THE CIRCUIT BREAKER SERVING THE WORK AREA.

THE APPLIANCE MUST BE PROVIDED WITH A GROUND CONNECTION IN ACCORDANCE WITH THE ELECTRICAL SAFETY REGULATIONS IN FORCE. IF IN DOUBT, HAVE THE SYSTEM CHECKED BY A QUALIFIED ELECTRICIAN. THE MANUFACTURER DECLINES ALL RESPONSIBILITY FOR DAMAGE TO PERSONS OR PROPERTY RESULTING FROM THE FAILURE TO GROUND THE APPLIANCE OR FROM A DEFECTIVE GROUND CONNECTION.

⚠ CAUTION

DURING INSTALLATION, TAKE CARE NOT TO INJURE YOURSELF ON THE SHARP EDGES OF THE APPLIANCE; WEAR SAFETY GLOVES.

⚠ CAUTION

DO NOT USE APPLIANCES WHICH HAVE BEEN DAMAGED DURING TRANSIT! IF IN DOUBT, CONSULT YOUR DEALER. THE APPLIANCE MUST BE INSTALLED AND CONNECTED IN ACCORDANCE WITH THE INSTRUCTIONS PROVIDED BY HESTAN OR BY A QUALIFIED TECHNICIAN.

DO NOT OPERATE THE DISHWASHER UNLESS ALL THE OUTER PANELS HAVE BEEN POSITIONED CORRECTLY. IMMEDIATELY AFTER INSTALLATION, BRIEFLY TEST THE APPLIANCE FOLLOWING THE INSTRUCTIONS INDICATED ON PAGE 18. IF THE DISHWASHER FAILS TO OPERATE CORRECTLY, DISCONNECT IT FROM THE ELECTRICAL POWER SUPPLY AND CALL HESTAN CUSTOMER SERVICE. DO NOT ATTEMPT TO REPAIR THE APPLIANCE.

PRODUCT WARNINGS / SAFETY (CONT.)

CAUTION

DO NOT USE EXTENSION CORDS, ADAPTORS OR SHUNT CONNECTIONS IN ORDER TO AVOID THE POSSIBILITY OF OVERHEATING OR BURNING, WITH CONSEQUENT FIRE HAZARD.

NOTICE

THE MANUFACTURER DECLINES ALL RESPONSIBILITY FOR DAMAGE TO PERSONS, ANIMALS OR PROPERTY RESULTING FROM FAILURE TO OBSERVE THE ABOVE PRECAUTIONS, FROM TAMPERING WITH EVEN A SINGLE COMPONENT OF THE APPLIANCE, OR FROM THE USE OF NON-ORIGINAL SPARE PARTS.

IF IN DOUBT ABOUT THE CONTENTS OF THIS MANUAL, CONTACT HESTAN CUSTOMER CARE.

LOCATION AND PREPARATION

UNPACKING AND PLACEMENT

Remove the outer carton and packing materials, but do not remove the plastic film covering the stainless-steel surfaces. This film protects the finish from scratches until the appliance is installed in its final position.

Materials packaged with the dishwasher include this manual, the Use and Care Manual, and the installation kit.

- The kit may include supplemental instructions for assembly.

OVERLAY MODELS

Dishwashers configured for overlay doors (rather than color or stainless steel finish) will include a full-size template for the door overlay panel, as well as hardware and fasteners for the overlay.

The template includes pictorial instructions for preparing and installing the overlay panel.

HANDLING

The unit is heavy and should be handled with care. Use proper safety equipment, such as gloves and 2 persons to move the appliance into position to avoid injury and to avoid damage to the floor or the appliance itself.

NOTICE

DO NOT USE A HAND TRUCK OR DOLLY ON THE FRONT OR REAR OF THE DISHWASHER. HANDLE AND MOVE FROM THE SIDES ONLY.

Do not lift or carry the appliance by the door or handle. This could damage the door hinges.

PREPARATION

Before moving the dishwasher, protect any finished flooring and secure the door closed to prevent damage. DO NOT lift the dishwasher by the door handle.

Make sure that power can be provided to the location selected.

LOCATION AND PREPARATION (CONT.)

EN

TOOLS

The following tools are needed for the installation of the dishwasher:

- Tape measure and straight edge or ruler
- Pencil
- T20 Torx driver
- Philips screw driver
- Level
- Plumbing pliers
- Drill and drill bits
- Safety gloves and goggles

STEPS FOR INSTALLATION

The following pages provide the necessary information for proper installation of the dishwasher and are arranged as follows:

- Contents of installation kit
- Installation cutout dimensions and required clearances
- Electrical, water, and drain connections.
- Preparation and installation of overlay panels (-OV units only)
- Final installation
- Leak inspection and testing.

LOCATION AND PREPARATION (CONT.)

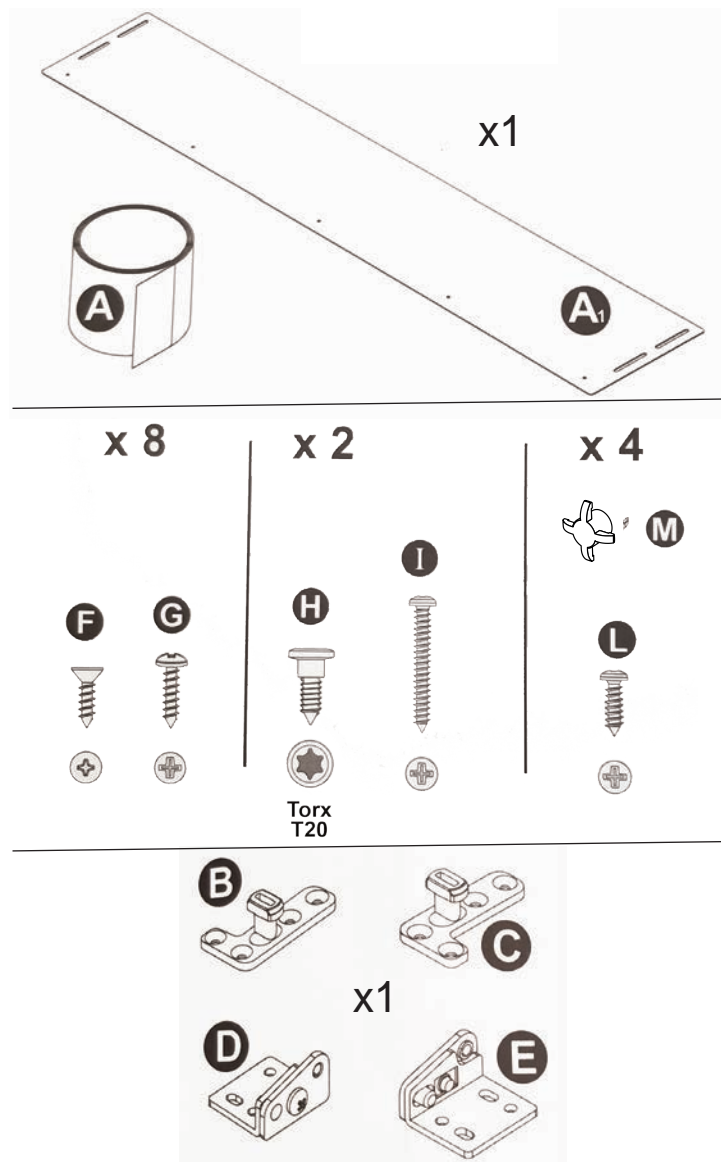
INSTALLATION KIT SUPPLIED WITH DISHWASHER

The kit supplied with the dishwasher comprises:

(KDW24-OV model includes items B - G)

Key	Used On	Item
A, A1	All	steam guard and adhesive
B, C	-OV only	hooks for door panel
D, E	-OV only	brackets for door panel
F	-OV only	8 screws for securing the door panel hooks
G	-OV only	8 screws for securing the door panel brackets
H	-OV only	2 torx screws for securing the door to the brackets
I	All	upper screws
L	All	screws for securing the dishwasher to the adjacent cabinets
M	All	screw caps

Not pictured: template for overlay panel, -OV models only.



LOCATION AND PREPARATION (CONT.)

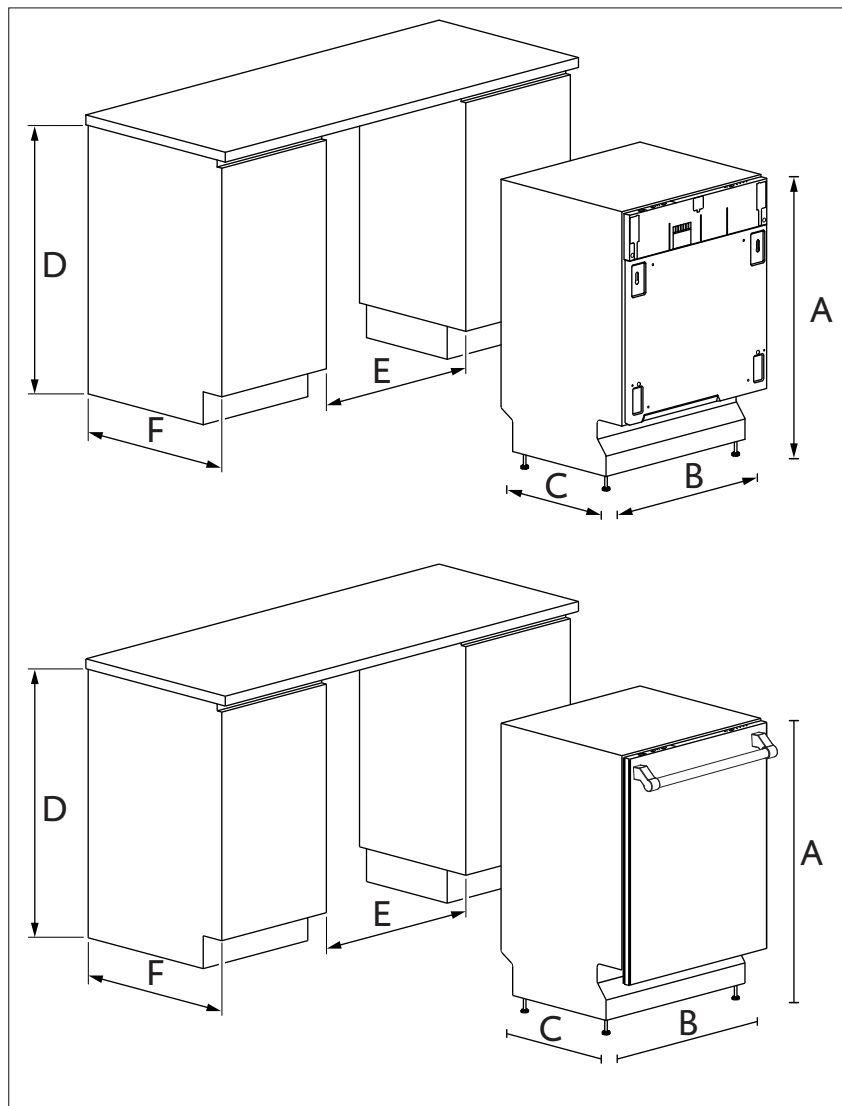
PRODUCT / CUT-OUT DIMENSIONS

PRODUCT DIMENSIONS:

A (minimum height)	B (Width)	C (depth)
33-7/8" [86 cm]	23-9/16" [59.8 cm]	21-11/16" [57 cm]

CUT-OUT DIMENSIONS:

D (height)	E (width)	F (depth)
34" (min) [86.3 cm]	23-9/16" - 23-5/8" [59.8 - 60.0 cm]	22-5/8" (min) [57.5 cm]



EN

INSTALLATION

CAUTION

DURING INSTALLATION, TAKE CARE NOT TO INJURE YOURSELF ON THE SHARP EDGES OF THE APPLIANCE.

Remove the polystyrene rack blocks. Position the appliance in the chosen installation position. The sides and rear of the appliance can lie against kitchen units or walls. If the dishwasher is installed next to a heat source, separate it with a heat insulating panel in order to prevent overheating and malfunctions.

WARNING

BUILDING-IN A DISHWASHER BELOW A COOKTOP IS ABSOLUTELY FORBIDDEN.

MAKE SURE THE DISHWASHER HAS BEEN CORRECTLY INSTALLED AND GROUNDED BY A QUALIFIED ELECTRICIAN. THIS SAFETY REQUIREMENT MUST BE MET. IN CASE OF DOUBT, CALL IN A QUALIFIED ELECTRICIAN. THE MANUFACTURER DECLINES ALL RESPONSIBILITY FOR DAMAGE TO PERSONS OR PROPERTY RESULTING FROM THE FAILURE TO GROUND THE APPLIANCE OR FROM A DEFECTIVE GROUND CONNECTION.

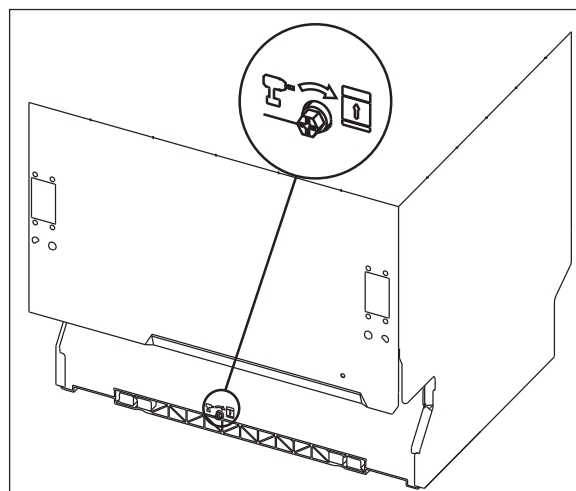
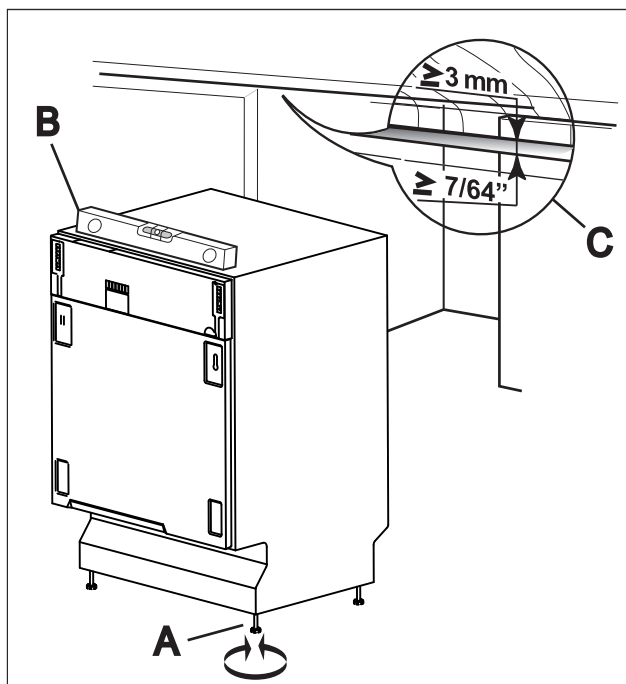
BEFORE PROCEEDING WITH INSTALLATION, TURN OFF THE CIRCUIT BREAKER THAT WILL SUPPLY THE APPLIANCE.

LEVELING

Level the appliance using the adjustable feet on the bottom.

Use a level and adjust the feet until the dishwasher is perfectly level. Leveling is vital for ensuring correct dishwasher operation.

Make sure to leave a gap of at least $7/64''$ [3mm] between the top of the dishwasher door and the bottom surface of the countertop.



INSTALLATION (CONT.)

EN

ELECTRICAL AND WATER CONNECTIONS

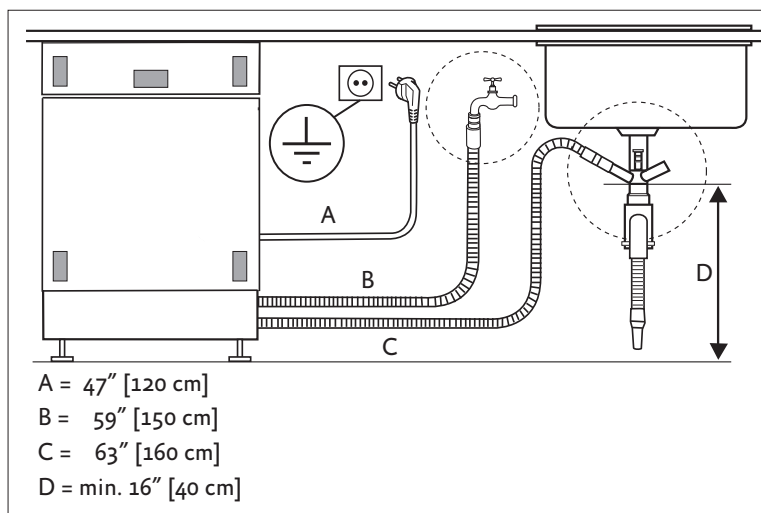
Install the dishwasher to allow ease of access to the electrical and water connections through the adjacent cabinetry. These connections must never be behind the dishwasher. The inlet and drain hoses can be pointed in any direction but make sure that they are not bent, crushed or too tight. Tighten the ring nut after pointing the hose in the required direction.

The illustration below indicates the lengths of hoses and power cord for connection purposes.

⚠ WARNING FIRE HAZARD!
DO NOT COVER OR CRUSH THE CORD PLUG.

A through hole with a diameter of at least 2-1/4" (57 mm) is required to pass the hoses and power cord.

- Make sure there are no rough edges that could damage the power cord or hoses.
- If the dishwasher is installed in a metal cabinet or enclosure, protect the edge of the through hole for the hoses and power cord with a grommet.
- Do not use extension cords when making the electrical connection as these do not guarantee safety.



⚠ CAUTION

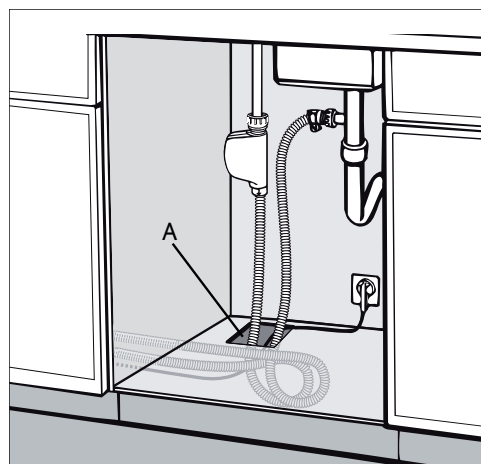
INSTALLING THE DISHWASHER IN A NARROW SPACE MAY BEND OR CRUSH THE POWER CORD. TAKE GREAT CARE IN ORDER TO REDUCE THE POSSIBILITY OF DAMAGING THE POWER CORD WHEN INSTALLING OR REMOVING THE APPLIANCE.

CONNECTING THE WATER SUPPLY

NOTICE

PREVENTING THE RISK OF CLOGGING OR DAMAGE:

IF THE PLUMBING IS NEW OR HAS NOT BEEN USED FOR A LONG TIME, BEFORE CONNECTING TO THE WATER SUPPLY, CHECK THAT THE WATER IS CLEAR AND FREE OF DEBRIS TO PREVENT DAMAGE TO THE APPLIANCE. THE DISHWASHER MUST ALWAYS BE CONNECTED TO THE WATER SYSTEM WITH NEW HOSES. OLD OR USED HOSES MUST NEVER BE RE-USED.



INSTALLATION (CONT)

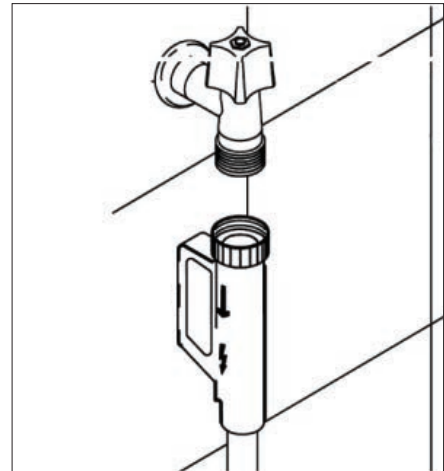
CONNECTING TO A WATER VALVE

Connect the inlet hose to a threaded 3/4" water valve using the supplied filter. Firmly secure the hose by tightening its ring nut with your hands; finish by tightening another 1/4 turn using a pair of plumbing pliers.

The dishwasher can be filled with water at a temperature of less than 140° F [60° C]. If the appliance is filled with hot water, washing times will be reduced by about 20 minutes, but efficiency will be slightly impaired.

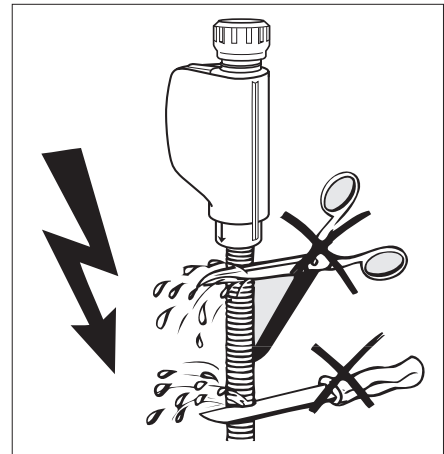
- Recommended temperature: 120° F [49° C], max 140° F [60° C].
- Recommended water pressure: 7-130 PSI [0.5 - 9 bar]. If the pressure is too high, use a pressure reducer.

A rubber hose connected to a sink spray may burst if installed on the same pipes feeding the dishwasher. If your sink is fitted with this accessory, remove the hose and plug the hole.

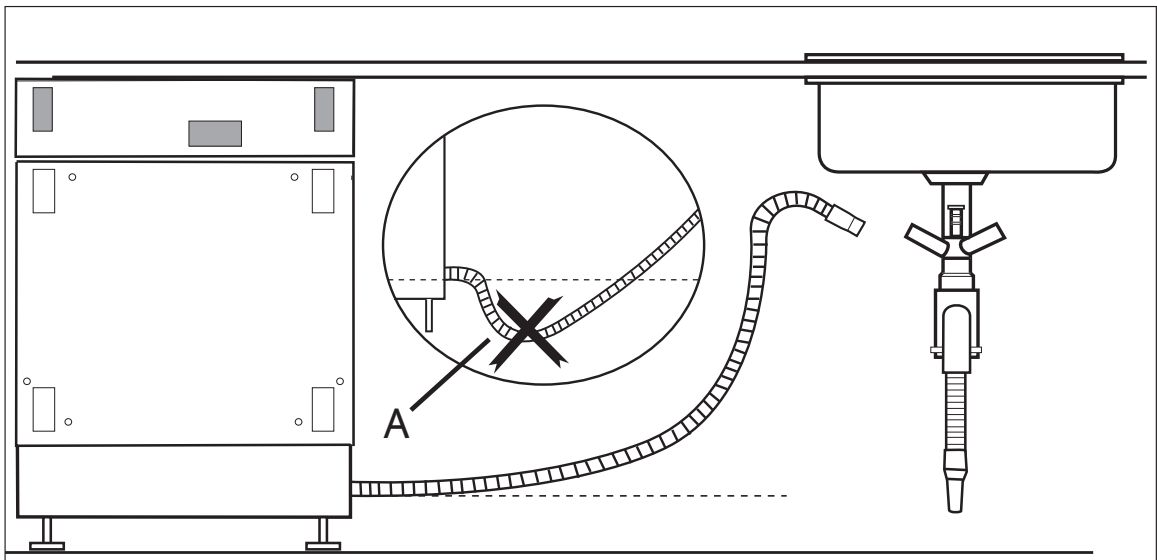


CAUTION DO NOT CUT THE INLET HOSE.

If the hose is cut, the dishwasher will not work, water will leak and you may be injured. If the hose is too long, wind it up neatly and place it behind the appliance. The cable harness and electrical components must not come into contact with the hydraulic system and the water inlet and drain hoses.



When connecting the dishwasher drain hose to the sink make sure that the hose is not bent in order to prevent cracks or breakages that could damage it.



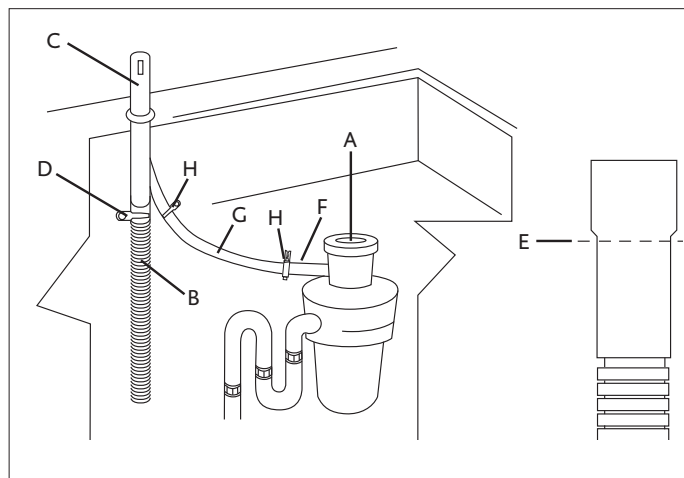
INSTALLATION (CONT.)

EN

CONNECTING TO A WASTE DISPOSAL UNIT WITH AN AIR GAP

MAKE THE CONNECTION UPLINE FROM THE SIPHON OF THE DRAIN LINE AND AT LEAST 15-3/4" [40 cm] ABOVE THE FLOOR ON WHICH THE DISHWASHER WILL BE INSTALLED.

1. Remove the cover of the waste disposal unit (A).
2. Connect the dishwasher drain hose (B) to the air gap (C) using the wide spring clamp (D)
3. If necessary, cut the end of the dishwasher drain hose (E) (do not cut the corrugated section).
 - If the drain hose has been cut, use a 1-1/2 to 2" [3.8 to 5 cm] screw clamp*.
4. To connect the air gap (C) to the waste disposal unit inlet (F) use a rubber hose* (G) with spring or screw clamps (H)*

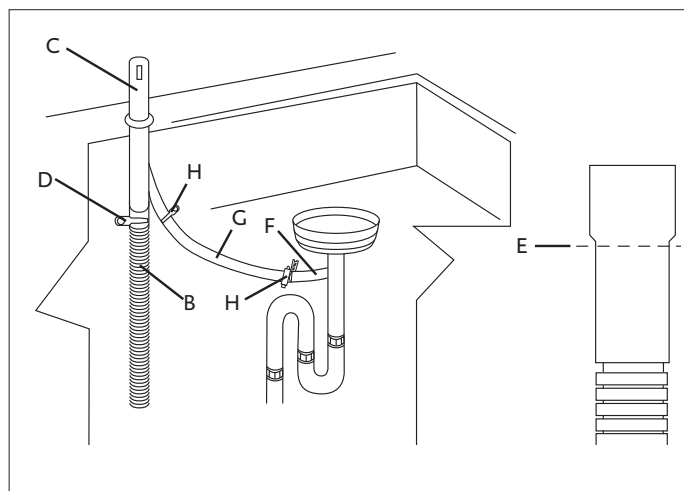


* Available from a plumbing store or home center.

CONNECTING TO THE AIR GAP WITHOUT A WASTE DISPOSAL UNIT

MAKE THE CONNECTION UPLINE FROM THE SIPHON OF THE DRAIN LINE AND AT LEAST 15-3/4" [40 cm] ABOVE THE FLOOR ON WHICH THE DISHWASHER WILL BE INSTALLED

1. Connect the dishwasher drain hose (B) to the air gap (C) using the wide spring clamp (D)
2. If necessary, cut the end of the dishwasher drain hose (E) (do not cut the corrugated section).
 - If the drain hose has been cut, use a 1-1/2 to 2" [3.8 to 5 cm] screw clamp*.
3. To connect the air gap (C) to the waste disposal unit inlet (F) use a rubber hose* (G) with spring or screw clamps (H)*



Available from a plumbing store or home center.

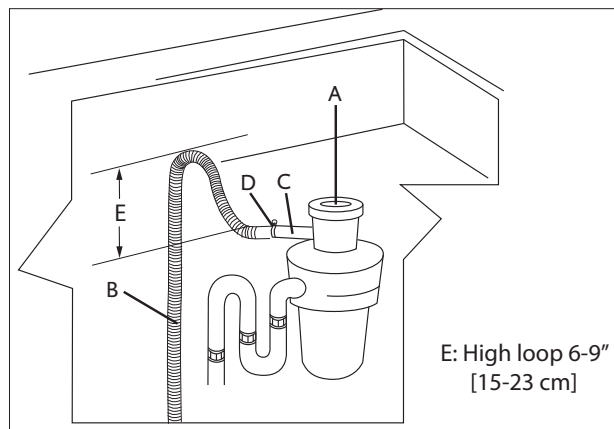
INSTALLATION (CONT.)

CONNECTING TO A WASTE DISPOSAL WITHOUT AN AIR GAP

MAKE THE CONNECTION UPLINE FROM THE SIPHON OF THE DRAIN LINE AND AT LEAST 15-3/4" [40 cm] ABOVE THE FLOOR ON WHICH THE DISHWASHER WILL BE INSTALLED

1. Remove the cover of the waste disposal unit (A).
2. Connect the dishwasher drain hose (B) to the waste disposal unit inlet (C), using the wide spring clamp (D)*.
3. Arrange the hose to form a high loop (E) as shown in the illustration. This is required to prevent backflow of contaminated water into the dishwasher.

* Available from a plumbing store or home center.

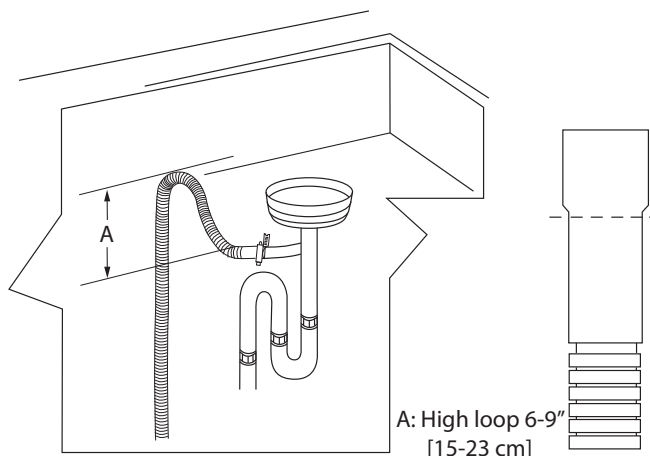


CONNECTING TO A "T" UNION

MAKE THE CONNECTION UPLINE FROM THE SIPHON OF THE DRAIN LINE AND AT LEAST 15-3/4" [40 cm] ABOVE THE FLOOR ON WHICH THE DISHWASHER WILL BE INSTALLED.

1. Connect the dishwasher drain hose to the "T" union of the drain using a 1-1/2 to 2" [3.8 to 5 cm] screw clamp.*
2. Arrange the hose to form a high loop (A) as shown in the illustration. This is required to prevent backflow of contaminated water into the dishwasher.
3. If necessary, cut the end of the dishwasher drain hose (DO NOT cut the corrugated section).

* Available from a plumbing store or home center.



CONNECTING TO THE POWER OUTLET



CHECK THAT VOLTAGE AND FREQUENCY OF THE OUTLET MATCHES THE RATINGS ON THE RATING PLATE OF THE APPLIANCE, WHICH IS POSITIONED ON THE INNER EDGE OF THE DOOR.



IN THE EVENT OF DAMAGE TO THE SUPPLY CORD, HAVE IT REPLACED BY THE MANUFACTURER OR AN AUTHORIZED TECHNICIAN. THIS APPLIANCE MUST BE GROUNDED. IN CASE OF A MALFUNCTION, THE GROUND REDUCES THE RISK OF ELECTROCUTION BY PROVIDING THE ELECTRICAL CURRENT WITH AN ALTERNATIVE, LESS RESISTANT PATH. THIS APPLIANCE IS FITTED WITH A POWER CORD CONTAINING A GROUND WIRE AND PLUG. FIT THE PLUG INTO A SUITABLE OUTLET, INSTALLED AND GROUNDED IN COMPLIANCE WITH LOCAL CODES.



BEFORE MAKING ELECTRICAL CONNECTIONS, TURN OFF THE CIRCUIT BREAKER THAT WILL SERVE THE APPLIANCE.

⚠ WARNING

AN INCORRECTLY CONNECTED GROUND WIRE MAY GENERATE THE RISK OF ELECTROCUTION. IF IN DOUBT AS TO THE CORRECT GROUNDING OF THE APPLIANCE, CALL IN A QUALIFIED ELECTRICIAN OR THE TECHNICAL ASSISTANCE SERVICE. DO NOT CHANGE THE PLUG ATTACHED TO THE APPLIANCE.

⚠ CAUTION

THE PLUG AT THE END OF THE POWER CORD AND THE CORRESPONDING OUTLET MUST BE OF THE SAME TYPE AND MUST CONFORM TO LOCAL REGULATIONS GOVERNING ELECTRICAL APPLIANCES. NEVER REMOVE THE PLUG BY PULLING ON THE CORD.

EN

CONDENSATION PROTECTION

The steam guard protects the countertop from steam and condensation when the door of the dishwasher is opened at the end of the washing cycle.

Adhesive and screws are provided, to be used according to installation requirements. See "INSTALLATION KIT SUPPLIED WITH DISHWASHER" on page 6.

Mount the steam guard as follows:

MOUNTING THE STEAM GUARD WITH SCREWS

If the countertop can be drilled for screws, use screws to mount the steam guard.

1. Mark and drill pilot holes if needed.
2. Position the guard and install mounting screws.

MOUNTING THE STEAM GUARD WITH ADHESIVE

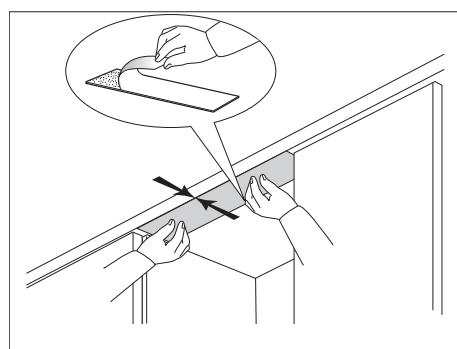
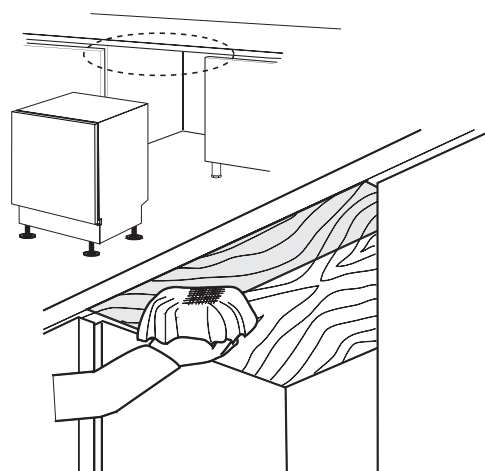
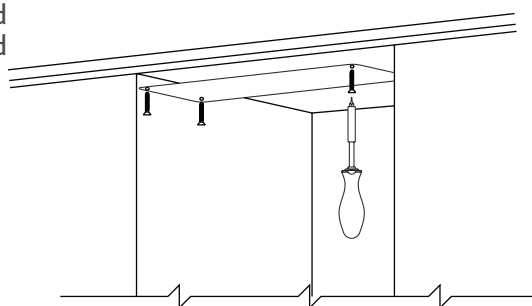
If the countertop can't be drilled for mounting screws, use adhesive to mount the steam guard.

1. Clean the front 6" of the underside of the countertop directly above the door.
2. Peel the protective layer from the adhesive surface.
3. Apply the steam guard, pressing the guard firmly in place to get full contact of the adhesive onto the mounting surface.

NEXT STEPS

If your dishwasher is an overlay model, continue with the instructions in the OVERLAY PANEL section.

If you have a model with stainless-steel or colored door, proceed to "FINAL STEPS" on page 18.



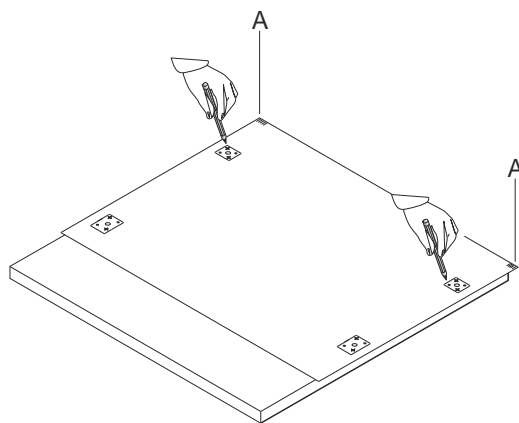
OVERLAY PANEL (MODEL KDW24-OV)

OVERLAY PANEL PREPARATION

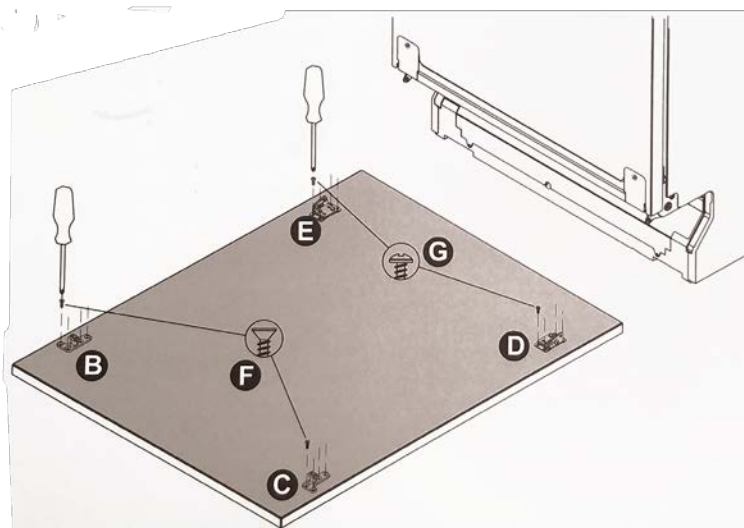
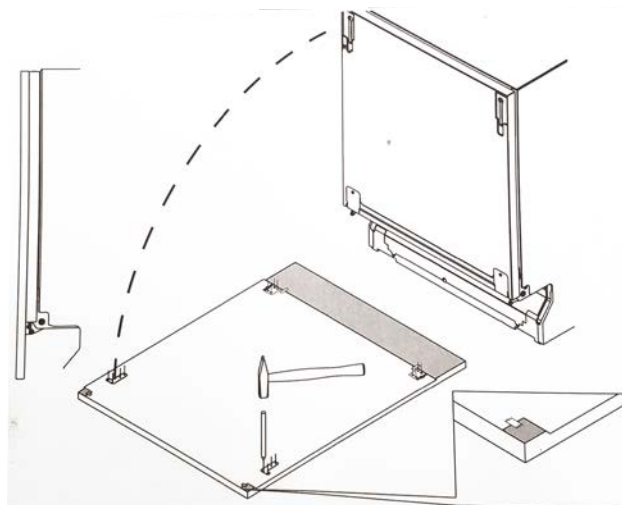
MOUNTING SUPPORT HOOKS AND BRACKETS

1. Place the provided template on the inner surface of the overlay panel.
2. Center the template on the panel and align it with the top edge, matching up the reference locators (A).
3. Mark the position of the door hooks and brackets with a pencil.
4. Remove the template and use a drill with a suitable bit to make pilot holes at the points marked on the panel.

- To avoid drilling too deep, use of a drill stop is recommended.



5. Using a Phillips screwdriver, secure the door hooks (B, C) with the 8 supplied flat head screws (items F) at the marked reference points.
6. Use the screwdriver to secure the lower brackets (D, E) with the 8 supplied round head screws (item G) at the marked reference points.



OVERLAY PANEL (CONT.)

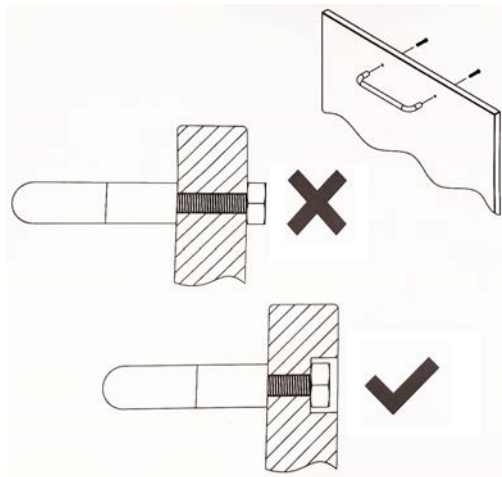
EN

MOUNTING HANDLE

The KDW24-OV model is not supplied with a door handle. Installation of customer's preferred handle should be done according to instructions provided with the handle and according to good practices.

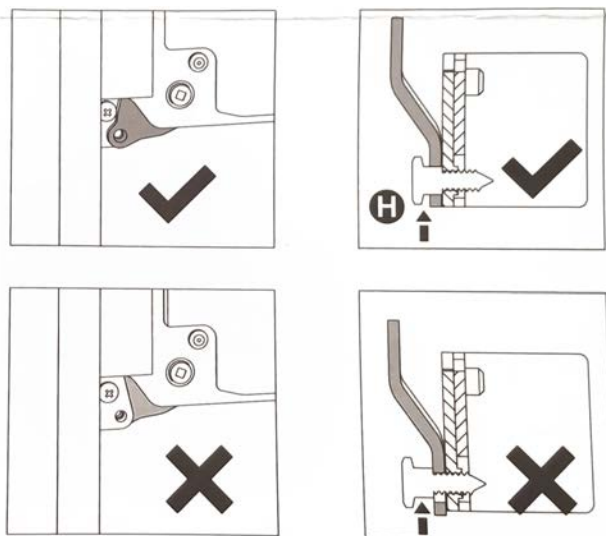
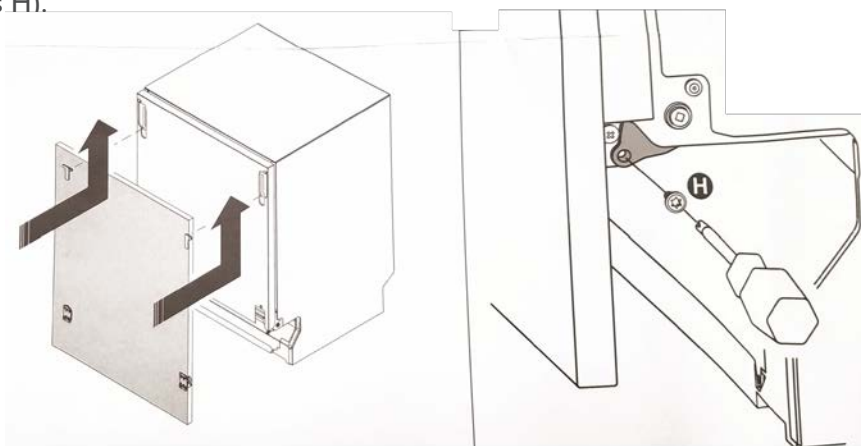
NOTICE

The handle mounting screws must be countersunk or recessed so they do not protrude above the overlay panel surface.



ATTACH THE DOOR PANEL

Fit the hooks into their slots on the dishwasher, slide the panel upward, and install the bracket screws (items H).

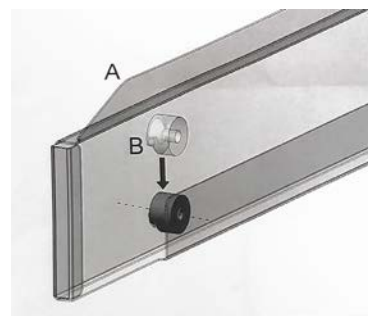
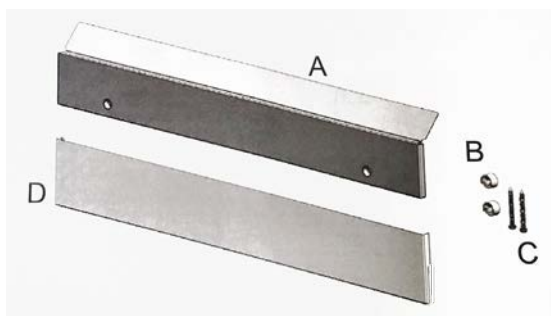


- Make sure that the screw shank (H) fits through the hole in the bracket as shown above.
- Make sure the dishwasher door, complete with panel, opens fully.

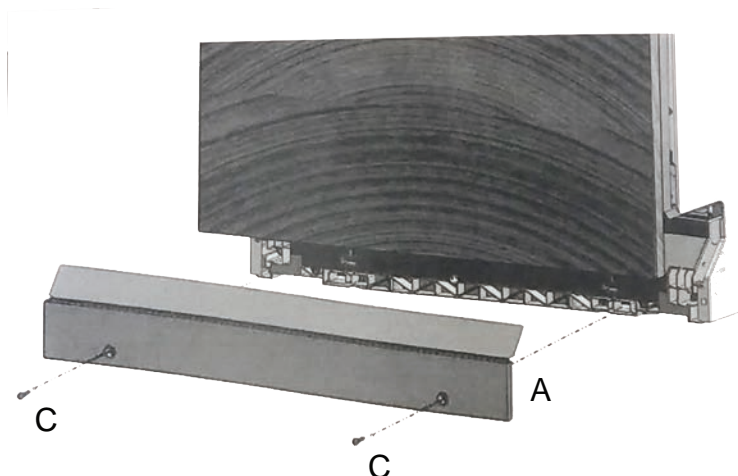
FINAL STEPS

ADJUSTABLE BASE PLATE

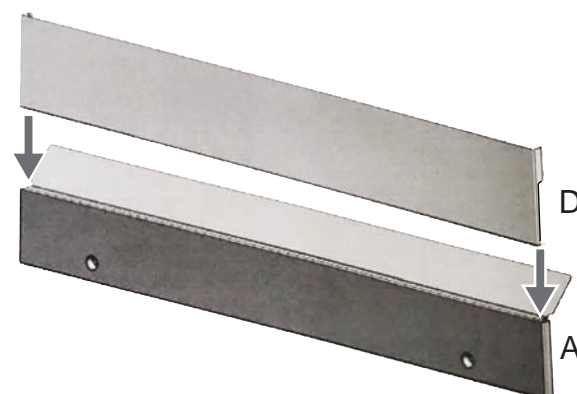
An adjustable base plate is provided to protect the front of the dishwasher.



1. Install the spacers in the main plate (A, B above)
2. Position the plate (A) and install the screws (C)



3. Position the slider plate (D) so it is captured by the main plate (A) and can slide to the floor.



FINAL STEPS (CONT.)

GASKETS

Before securing the dishwasher to the cabinets, attach the gaskets to the sides.

1. Remove the protective tape from the adhesive surface.
2. Fix the gasket to the dishwasher, inserting it in the seat on the sides towards the front
 - Make sure that the long side of the gasket, the one with the holes for inserting the screws, is attached to the outside of the dishwasher. (Figure 1 below.)
 - The holes in the long side must match the holes in the dishwasher. (See A in Figure 2 below.)

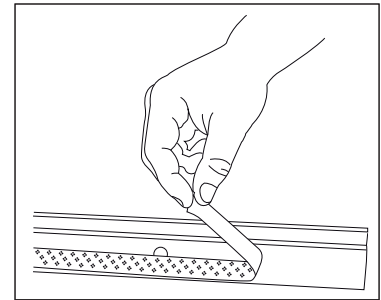


Figure 3 shows the gasket in position.

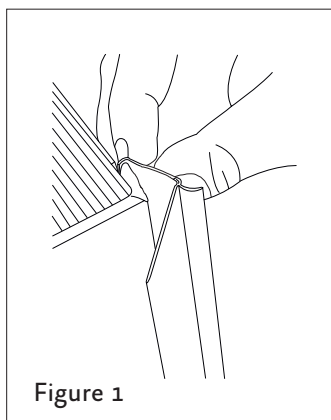


Figure 1

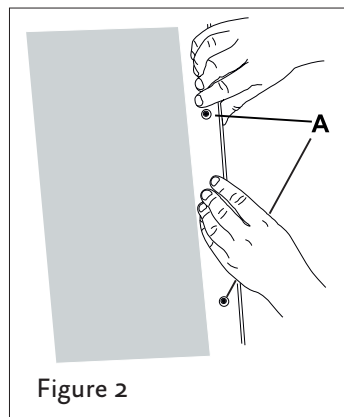


Figure 2

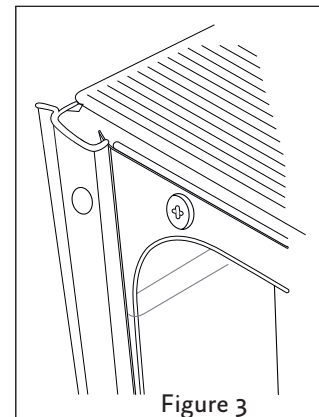


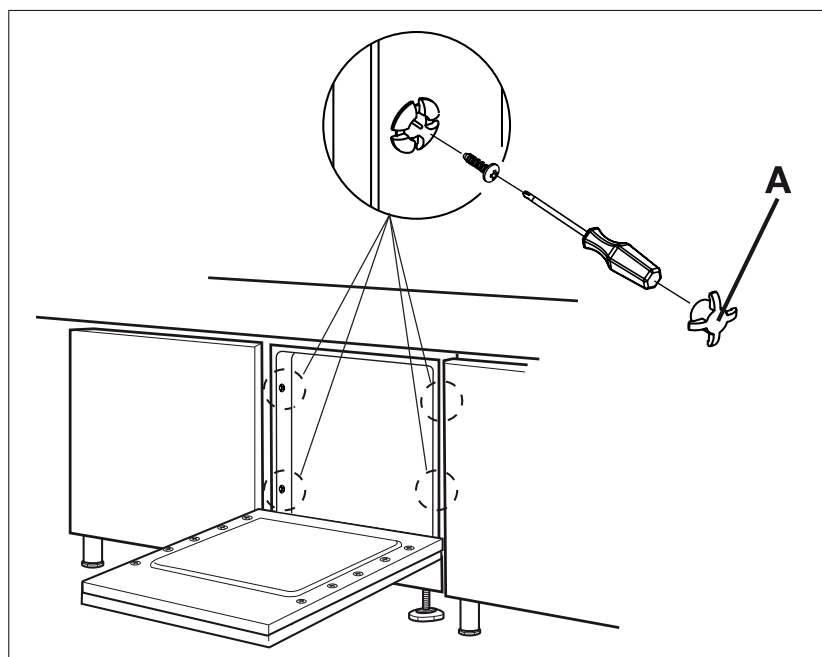
Figure 3

3. Make sure the gasket adheres perfectly to the dishwasher.
4. Secure the dishwasher to the adjacent cabinetry or to the countertop above using the supplied screws.

NOTICE MAKE SURE THERE IS AT LEAST 1/8" [3 mm] CLEARANCE BETWEEN THE TOP OF THE DOOR AND THE SURFACE ABOVE IT.

This operation secures the dishwasher to the adjacent cabinets or to the countertop.

5. Cover the side holes using the supplied plugs.

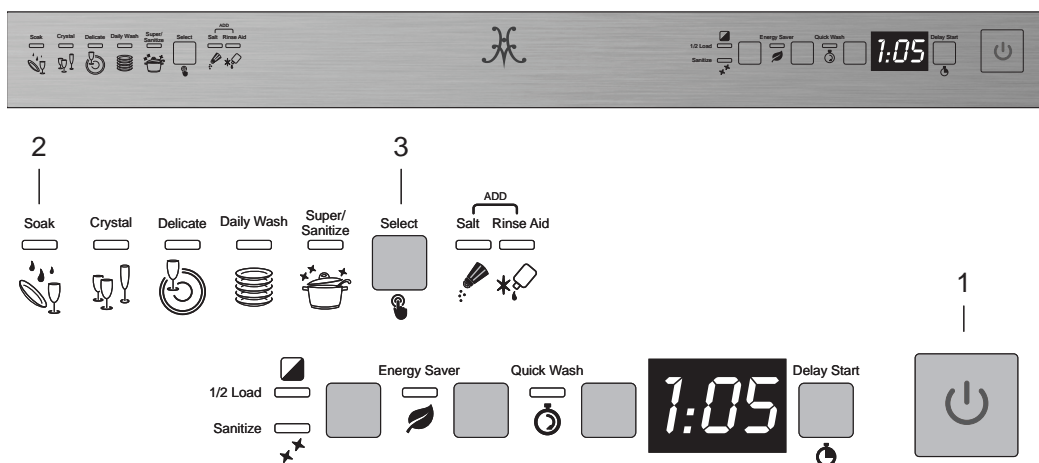


FINAL STEPS (CONT.)

TEST OPERATION

Before starting a washing program, do the following:

1. Make sure the water supply valve is open.
2. Prepare the water softening system, according to the instructions in the Use & Care Manual, "USING THE WATER SOFTENING SYSTEM" on page 18.
3. Add rinse-aid according to the instructions in the Use & Care Manual, "ADDING RINSE-AID TO THE DISPENSER" on page 19.



TURNING ON THE DISHWASHER

Press the on/off button (Item 1, above) to start the dishwasher. Then wait for one of the program indicator lights to turn on.

SELECTING AND STARTING A PROGRAM

For an initial test, tun the Soak cycle. Press Select (program selection button, item 3 above) several times until the indicator light for Soak turns on (Item 2, above)

Close the door and the cycle should start after about 2 seconds.

NOTE: If the door isn't closed within 5 seconds of program selection, the program indicator lights will blink rapidly. If the door is then closed, the program won't run.

Press Select once more and then close the door.

PROGRAM RUN INDICATOR

When a program is running, a flashing light is projected onto the floor under the right-hand corner of the door.

- If the program is selected but not running, the light will be steady ON.

At the end of the program, the light goes out.

SERVICE

All warranty and non-warranty repairs should be performed by qualified service personnel. To locate an authorized service agent in your area, contact your Hestan dealer, local representative, or Hestan Customer Service. Before you call, please have the model number and serial number information ready.

Hestan Commercial Corporation
3375 E. La Palma Avenue
Anaheim, CA 92806
(888) 905-7463

⚠️ AVERTISSEMENT

LE NON-RESPECT À LA LETTRE DE CES INSTRUCTIONS PEUT CAUSER UN INCENDIE OU UNE EXPLOSION, QUI POURRAIT ENTRAÎNER DES DOMMAGES MATÉRIELS, DES BLESSURES OU LA MORT.

Ne pas entreposer ou utiliser d'essence ou tout autre liquide ou gaz inflammable à proximité de cet appareil ou de tout autre appareil.

L'installation et le service doivent être effectués par un installateur qualifié ou une agence de service.

NE PAS RÉPARER, REMPLACER OU ENLEVER TOUTE PIÈCE DE L'APPAREIL, SAUF SI SPÉCIFIQUEMENT RECOMMANDÉ DANS LES MANUELS. UNE INSTALLATION, UN ENTRETIEN OU UNE MAINTENANCE INCORRECTS PEUT ENTRAÎNER DES BLESSURES OU DES DOMMAGES MATÉRIELS. CONSULTEZ CE MANUEL DE L'ORIENTATION. TOUS LES AUTRES SERVICES DEVRAIENT ÊTRE EFFECTUÉS PAR UN TECHNICIEN DE SERVICE HESTAN AUTORISÉ.

LISEZ ATTENTIVEMENT ET COMPLÈTEMENT CES INSTRUCTIONS AVANT D'INSTALLER OU D'UTILISER VOTRE APPAREIL AFIN DE RÉDUIRE LES RISQUES D'INCENDIE, DE BRÛLURE OU D'AUTRES BLESSURES. CONSERVER CE MANUEL POUR RÉFÉRENCE FUTURE.

DÉFINITIONS DE SÉCURITÉ

⚠️ AVERTISSEMENT

CECI INDIQUE QUE L'INOBSERVATION DE CET AVERTISSEMENT PEUT ENTRAÎNER DES BLESSURES GRAVES VOIRE MORTELLES.

⚠️ PRÉCAUTION

CECI INDIQUE QUE L'INOBSERVATION DE CET AVERTISSEMENT PEUT ENTRAÎNER DES BLESSURES MINEURES OU MODÉRÉES.

⚠️ AVIS

CECI INDIQUE QUE L'INOBSERVATION DE CET AVERTISSEMENT PEUT ENTRAÎNER DES DOMMAGES DE L'APPAREIL OU DES DÉGÂTS MATÉRIELS.

INSTALLATEUR: LAISSER CE MANUEL AVEC LE PROPRIÉTAIRE DE L'APPAREIL.

PROPRIÉTAIRE: CONSERVEZ CE MANUEL POUR RÉFÉRENCE FUTURE.

TABLES DES MATIERES

1	PRÉCAUTIONS DE SÉCURITÉ - AVANT DE COMMENCER
2	NUMÉROS DE MODÈLE
2	PLAQUE SIGNALÉTIQUE
2	RESPECT DE LA RÉGLEMENTATION ET DES CODES EN VIGUEUR
3	AVERTISSEMENTS SUR LES PRODUITS / SECURITE
4	EMPLACEMENT ET PREPARATION
8	INSTALLATION
14	PRÉPARATION DES PANNEAUX DÉCORATIFS
16	ÉTAPES FINALES
18	SERVICE

PRÉCAUTIONS DE SÉCURITÉ - AVANT DE COMMENCER

S'il est bien entretenu, cet appareil Hestan procurera un service sûr et fiable pendant de nombreuses années. Lorsqu'on se sert de cet appareil, les pratiques élémentaires suivantes en matière de sécurité doivent être adoptées.

IMPORTANT: Conservez ces instructions pour l'utilisation locale des services publics.

INSTALLATEUR: Veuillez laisser ces instructions d'installation avec le propriétaire.

PROPRIÉTAIRE: Veuillez conserver ces instructions d'installation pour référence future.

Cette appareil est conçue pour un usage domestique uniquement. Elle ne l'est PAS pour être installée dans des maisons préfabriquées (mobiles) ou dans des véhicules récréatifs. N'installez PAS cette appareil à l'extérieur.

⚠ AVERTISSEMENT

RISQUE DE CHOC ÉLECTRIQUE

Débranchez l'alimentation avant d'installer ou d'entretenir l'appareil. Ne pas le faire peut entraîner la mort ou un choc électrique.

MISE À LA TERRE ÉLECTRIQUE

- Cet appareil doit être mis à la terre. La mise à la terre réduit le risque de choc électrique en cas de court-circuit.
- NE PAS mettre à la terre un tuyau de gaz.
- NE PAS utiliser de rallonge avec cet appareil.
- NE PAS avoir de fusible dans le circuit NEUTRE ou MISE À LA TERRE. Un fusible dans le circuit NEUTRE ou MISE À LA TERRE pourrait provoquer un choc électrique.



NUMÉROS DE MODÈLE

MODÈLES DE LAVE-VAISSELLE

NO. MODÈLE	DESCRIPTION	DISJONCTEUR REQUIS
KDW24	Lave-vaisselle de 24 po, porte en acier inoxydable	15 ampères
KDW24-OV	Lave-vaisselle de 24 po, porte superposée	15 ampères
KDW24-XX	Lave-vaisselle de 24 po, porte de couleur	15 ampères

FR

PLAQUE SIGNALÉTIQUE

La plaque signalétique donne des informations importantes sur votre appareil Hestan, telles que le modèle, le numéro de série et les caractéristiques électriques.

La plaque signalétique est située sur le côté droit du bord de la porte.

Si une réparation est nécessaire, contactez le service clientèle de Hestan en indiquant les informations de modèle et de numéro de série indiquées sur la plaque.



PLAQUE SIGNALÉTIQUE

HESTAN COMMERCIAL CORPORATION ANAHEIM, CA - USA		115 V - 60 Hz	1080 W	CERTIFIED RESIDENTIAL DISHWASHERS ARE NOT INTENDED FOR LICENSED FOOD ESTABLISHMENTS		ETL US CN 3134823		ETL CN 5007283		CANADIAN ENERGY PERFORMANCE VERIFIED RENDIMENT ÉNERGETIQUE VERIFIÉ	
Mod	KDW24	SI	S/N	ZZZZZ	XXXX	Y	(M) 80 W	Intertek Intertek Intertek CONFORMS TO UL STD 749, CONFORMS TO NSF STD 184, CERTIFIED TO CAN/CSA STD C22-2 NO.167			
Full S/N	Y	CDD. MACCHINA		ZZZZZ	XXXX	03 00	Type: 12162 A				

PLAQUE SIGNALÉTIQUE TYPIQUE

RESPECT DE LA RÉGLEMENTATION ET DES CODES EN VIGUEUR

L'installation de cet appareil à lave-vaisselle doit être faite conformément aux codes locaux. En l'absence de codes locaux, cette unité doit être installée conformément à la norme code et codes locaux.

Cet appareil doit être mis à la terre conformément aux codes locaux ou, en l'absence de des codes locaux avec le National Electrical Code *ANSI/NFPA 70*, ou Canadian Electrical code *CSA C22.1*.

AVIS

CE MANUEL FAIT PARTIE INTEGRANTE DE L'APPAREIL:

IL DOIT TOUJOURS ÊTRE ENTRETENU INTACT AVEC LE LAVE-VAISSELLE. AVANT D'UTILISER L'APPAREIL, LISEZ ATTENTIVEMENT TOUTES LES INSTRUCTIONS CONTENUES DANS CE MANUEL. L'INSTALLATION DOIT ÊTRE EFFECTUÉE PAR UN TECHNICIEN QUALIFIÉ, CONFORMÉMENT AUX CODES LOCAUX. CET APPAREIL EST CONÇU POUR UN USAGE DOMESTIQUE ET DES APPLICATIONS SIMILAIRES TELS QUE LES CUISINES DE PERSONNEL DE COMMERCE, BUREAUX ET AUTRES MILIEUX DE TRAVAIL, INSTITUTIONS, ET POUR L'UTILISATION DES CLIENTS DANS DES HÔTELS, DES AUBERGES, DES CHAMBRES D'HÔTES, DES CHAMBRES D'HÔTES ET D'AUTRES ÉTABLISSEMENTS RÉSIDENTIELS.

L'APPAREIL EST CONÇU POUR L'OBJECTIF SUIVANT: LAVE-VAISSELLE ET LE SECHAGE. TOUTE AUTRE UTILISATION DOIT ÊTRE CONSIDÉRÉE INAPPLIQUÉMENT. LE FABRICANT DÉCLINE TOUTE RESPONSABILITÉ POUR LES USAGES AUTRES QUE CEUX DÉCRITS CI-DESSUS.

CET APPAREIL NE CONVIENT PAS AUX BATEAUX, AUX VÉHICULES RÉCRÉATIFS OU AUTRES. LES LAVE-VAISSELLE CERTIFIÉS POUR USAGE DOMESTIQUE NE SONT PAS ADAPTÉS POUR LES APPLICATIONS COMMERCIALES.

LA PLAQUE SIGNALÉTIQUE CONTENANT LES DONNÉES TECHNIQUES, LE NUMÉRO DE SÉRIE ET LES INSCRIPTIONS EST VISIBLEMENT POSITIONNÉE SUR LE BORD DROITE DE LA PORTE. LA PLAQUE SIGNALÉTIQUE NE DOIT JAMAIS ÊTRE ENLEVÉE.

PRÉCAUTION

VÉRIFIEZ QUE LA TENSION, LA FRÉQUENCE ET LA PROTECTION DE L'ALIMENTATION DOMESTIQUE CORRESPOND À LA NOTE DE LA PLAQUE SIGNALÉTIQUE DE L'APPAREIL.

AVERTISSEMENT

NE LAISSEZ PAS DE MATÉRIAUX D'EMBALLAGE DÉJETÉS NON SUPERVISÉS À L'INTÉRIEUR DE LA MAISON. SÉPARER LES DIFFÉRENTS MATÉRIAUX D'EMBALLAGE ET LES PORTER AU CENTRE DE COLLECTE DES DÉCHETS LE PLUS PROCHE. GARDER LES ENFANTS, LES ADULTES ATTEINTS DE MALADIE PHYSIQUE ET / OU MENTALE ET LES ANIMAUX À L'ÉCART DES DÉCHETS D'EMBALLAGE; DANGER DE SUFFOCATION.

AVANT DE PROCÉDER À L'INSTALLATION, ÉTEIGNEZ LE DISJONCTEUR SERVANT DANS LA ZONE DE TRAVAIL.

L'APPAREIL DOIT ÊTRE FOURNI AVEC UNE CONNEXION À LA TERRE CONFORMÉMENT AUX NORMES DE SÉCURITÉ ÉLECTRIQUE EN VIGUEUR. EN CAS DE DOUTE, FAITES VÉRIFIER LE SYSTÈME PAR UN ÉLECTRICIEN QUALIFIÉ. LE FABRICANT DÉCLINE TOUTE RESPONSABILITÉ EN CAS DE DOMMAGES CAUSÉS À DES PERSONNES OU À DES BIENS RÉSULTANT DU DÉFAUT DE MISE À LA TERRE DE L'APPAREIL OU D'UNE CONNEXION AU SOL DÉFECTUEUSE.

AVERTISSEMENTS SUR LES PRODUITS / SECURITE (SUITE)

PRÉCAUTION

PENDANT L'INSTALLATION, PRENEZ SOIN DE NE PAS VOUS BLESSER SUR LES BORDS COUPANTS DE L'APPAREIL; PORTER DES GANTS DE SÉCURITÉ.

FR

PRÉCAUTION

N'UTILISEZ PAS D'APPAREILS ENDOMMAGÉS PENDANT LE TRANSIT! EN CAS DE DOUTE, CONSULTEZ VOTRE REVENDEUR. L'APPAREIL DOIT ÊTRE INSTALLÉ ET CONNECTÉ CONFORMÉMENT AUX INSTRUCTIONS FOURNIES PAR HESTAN OU PAR UN TECHNICIEN QUALIFIÉ.

NE PAS FAIRE FONCTIONNER LE LAVE-VAISSELLE SAUF SI TOUS LES PANNEAUX EXTÉRIEURS ONT ÉTÉ POSITIONNÉS CORRECTEMENT. IMMÉDIATEMENT APRÈS L'INSTALLATION, ESSAYEZ L'APPAREIL SUIVANT LES INSTRUCTIONS INDIQUÉES À LA PAGE 18. SI LE LAVE-VAISSELLE NE FONCTIONNE PAS CORRECTEMENT, DÉBRANCHEZ-LE DE L'ALIMENTATION ÉLECTRIQUE ET APPELEZ N'ESSAYEZ PAS DE RÉPARER L'APPAREIL.

PRÉCAUTION

N'UTILISEZ PAS DE CORDONS DE RALLONGEMENT, D'ADAPTATEURS OU DE CONNEXIONS DE CIRCUIT POUR ÉVITER LES RISQUES D'INCENDIE OU DE SURCHAUFFE OU DE BRÛLURES.

AVIS

LE FABRICANT DÉCLINE TOUTE RESPONSABILITÉ EN CAS DE DOMMAGES CAUSÉS À DES PERSONNES, DES ANIMAUX OU DES BIENS RÉSULTANT DU NON-RESPECT DES PRÉCAUTIONS PRÉCÉDENTES, D'UNE MAUVAISE COMPOSITION DE L'APPAREIL OU DE L'UTILISATION DE PARTIES UNIVERSELLES.

EN CAS DE DOUTE SUR LE CONTENU DE CE MANUEL, CONTACTEZ SERVICE CLIENTÈLE DE HESTAN.

EMPLACEMENT ET PREPARATION

DÉBALLAGE ET PLACEMENT

Retirer le carton extérieur et les matériaux d'emballage Ne pas retirer le film plastique les surfaces en acier inoxydable. Ce film protège la finition des rayures jusqu'à la l'appareil est installé dans sa position finale.

Les matériaux fournis avec le lave-vaisselle comprennent ce manuel, le manuel d'utilisation et d'entretien et le kit d'installation.

- Le kit peut inclure des instructions supplémentaires pour l'assemblage.

MODÈLES UTILISANT UNE PORTE SUPERPOSÉE

Les lave-vaisselle configurés pour porte superposée (plutôt que couleur ou finis en acier inoxydable) comprendront un gabarit de taille normale pour le panneau décoratif, ainsi que les éléments de fixation pour le panneau.

Le gabarit comprend des instructions illustrées pour la préparation et l'installation du panneau décoratif.

MANIPULATION

L'unité est lourde et doit être manipulée avec soin. Utilisez un équipement de sécurité approprié, tel que des gants et 2 personnes pour mettre l'appareil en position pour éviter les blessures et éviter le dommage au sol ou à l'appareil lui-même.

AVIS

N'UTILISEZ PAS DE CAMION À MAIN OU DE DOLLY À L'AVANT OU À L'ARRIÈRE DU LAVE-VAISSELLE. MANIPULER ET DÉPLACER DEPUIS LES CÔTÉS.

Ne soulevez ou ne portez pas l'appareil par la porte ou la poignée. Cela pourrait endommager les charnières de la porte.

PRÉPARATION

Avant de déplacer le lave-vaisselle, protégez les revêtements de sol finis et fermez bien la porte pour éviter tout endommagement. NE PAS soulever le lave-vaisselle par la poignée de la porte.

Assurez-vous que l'alimentation peut être fournie à l'emplacement sélectionné.

OUTILS

Les outils suivants sont nécessaires pour l'installation du lave-vaisselle:

- Ruban à mesurer et bord droit ou règle
- Crayon
- Tournevis Philips
- Tournevis Torx T20
- Niveau
- Pince à plomberie
- Percer et forer
- Gants et lunettes de sécurité

ÉTAPES D'INSTALLATION

Les pages suivantes fournissent les informations nécessaires pour une installation correcte du lave-vaisselle et sont disposés comme suit:

- Contenu du kit d'installation
- Dimensions de découpe d'installation et dégagements requis
- Connexions électriques, d'eau et de drainage.
- Préparation et installation des panneaux de revêtement (unités -OV uniquement)
- Installation finale
- Inspection et test de fuite.

EMPLACEMENT ET PREPARATION (SUITE)

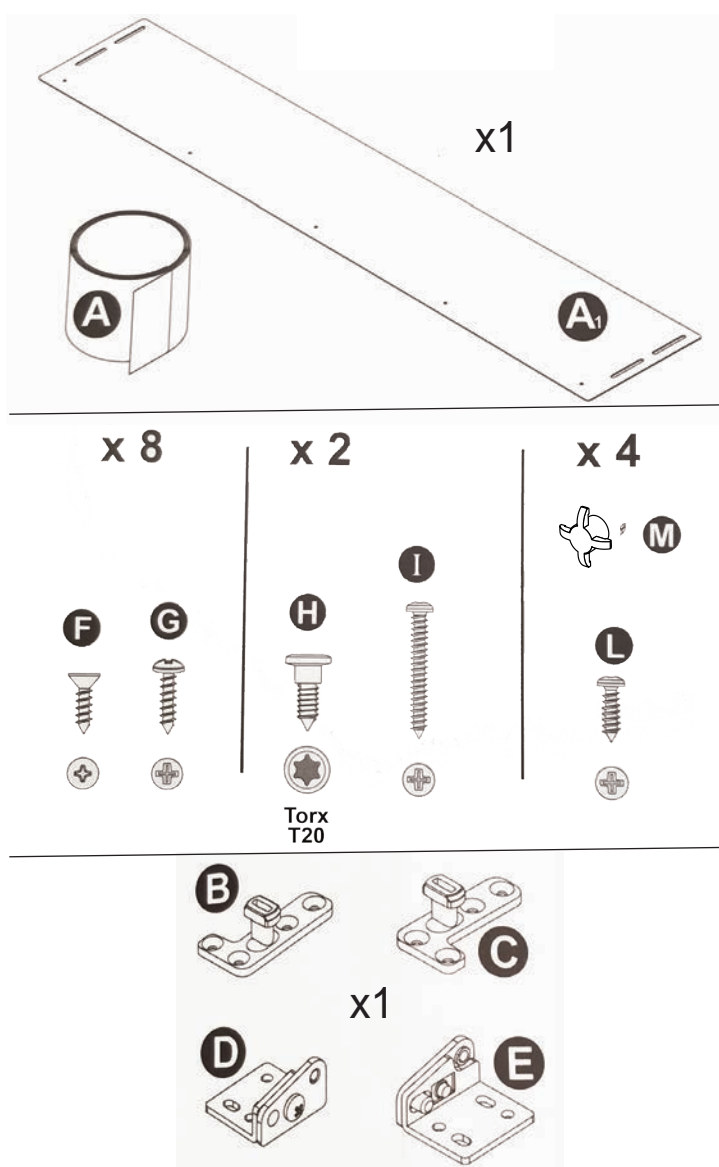
KIT D'INSTALLATION FOURNI AVEC LAVE-VAISSELLE

Le kit fourni avec le lave-vaisselle comprend:

(Le modèle KDW24-OV contient également C, D, E et F)

Indice	Modèles Utilisant	Article
A, A1	toute	garde vapeur et colle
B, C	-OV seulement	crochets pour panneau de porte
D, E	-OV seulement	supports pour panneau de porte
F	-OV seulement	8 vis pour la fixation des crochets du panneau de porte
G	-OV seulement	8 vis pour la fixation des supports de panneau de porte
H	-OV seulement	2 vis Torx pour la fixation de la porte aux supports
I	toute	vis supérieure
L	toute	vis pour fixer le lave-vaisselle aux armoires adjacentes
M	toute	bouchons à vis

Non illustré: modèle pour le panneau de superposition, modèles -OV uniquement.



EMPLACEMENT ET PREPARATION (SUITE)

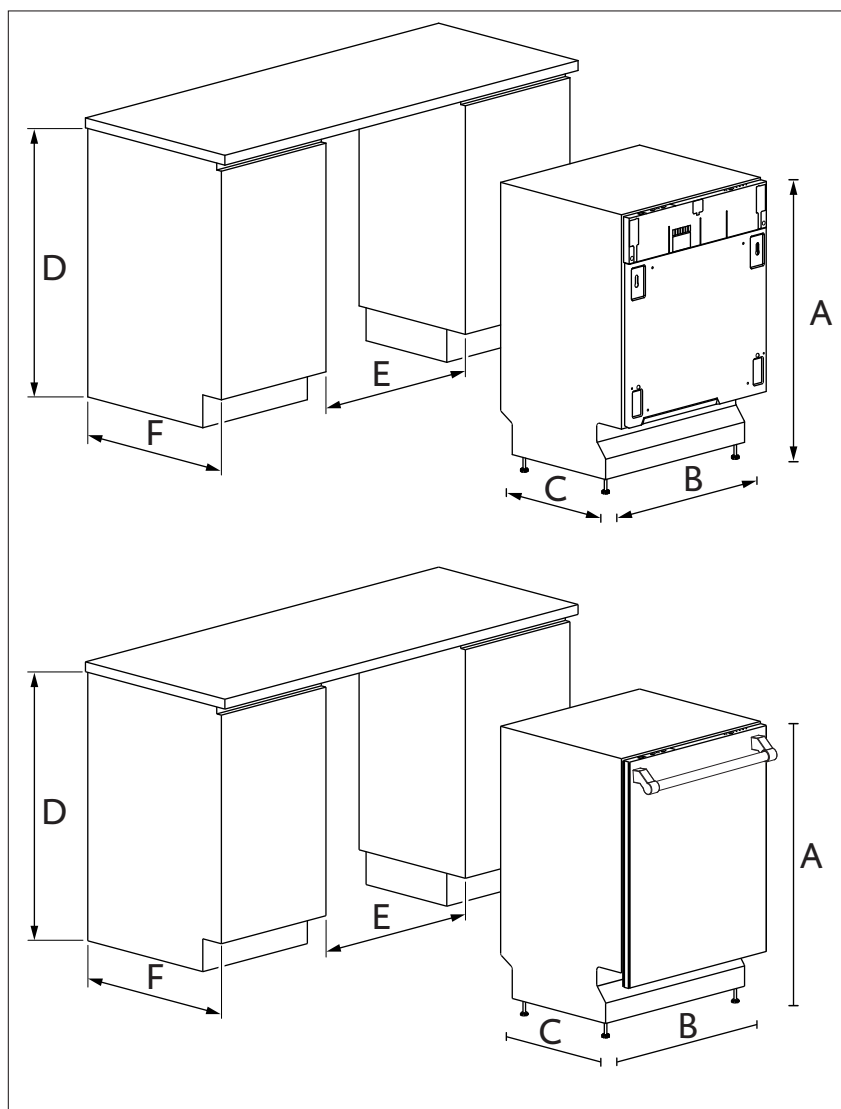
DIMENSIONS DE PRODUIT / DE COUPE

DIMENSIONS DU PRODUIT:

A (Hauteur)	B (Largeur)	C (Profondeur)
33-7/8 po [86 cm]	23-9/16 po [59,8 cm]	21-11/16 po [57 cm]

DIMENSIONS DE DÉCOUPE:

D (Hauteur)	E (Largeur)	F (Profondeur)
34 po (min) [86,3 cm]	23-9/16 po - 23-5/8 po [59,8 - 60,0 cm]	22-5/8 po (min) [57,5 cm]



INSTALLATION

⚠ PRÉCAUTION

PENDANT L'INSTALLATION, PRENDRE SOIN DE NE PAS VOUS INJURER SUR LES BORDS TRANCHANTS DE L'APPAREIL.

Retirez les blocs de support en polystyrène. Positionnez l'appareil dans l'installation choisie position. Les côtés et l'arrière de l'appareil peuvent se trouver contre les éléments de cuisine ou les murs. Si le lave-vaisselle est installé à côté d'une source de chaleur, séparez-le avec une isolation thermique panneau a n d'éviter la surchauffe et les dysfonctionnements.

⚠ AVERTISSEMENT

L'INSTALLATION D'UN LAVE-VAISSELLE SOUS UN TABLE DE CUISSON / CUISINIÈRE EST ABSOLUMENT INTERDITE.

VÉRIFIEZ QUE LE LAVE-VAISSELLE A ÉTÉ INSTALLÉ ET MIS À LA TERRE PAR UN ÉLECTRICIEN QUALIFIÉ. CETTE EXIGENCE DE SÉCURITÉ DOIT ÊTRE RESPECTÉE. EN CAS DE DOUTE, APPELER À UN ÉLECTRICIEN QUALIFIÉ. LE FABRICANT DÉCLINE TOUTE RESPONSABILITÉ QUANT AUX DOMMAGES AUX PERSONNES OU AUX BIENS RÉSULTANT DU DÉFAILLANCE AU SOL L'APPAREIL OU DEPUIS UNE CONNEXION AU SOL DEFECTUEUSE.

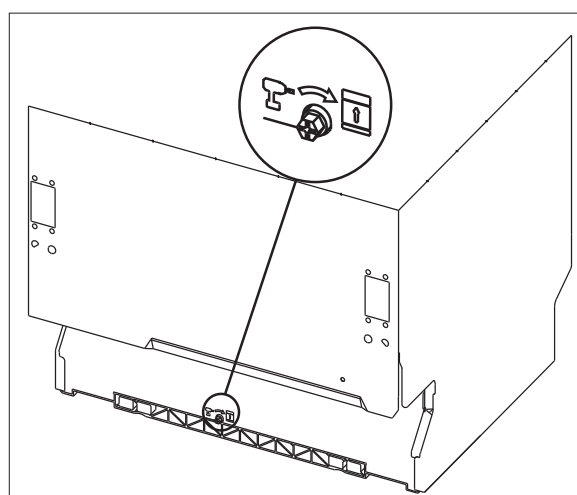
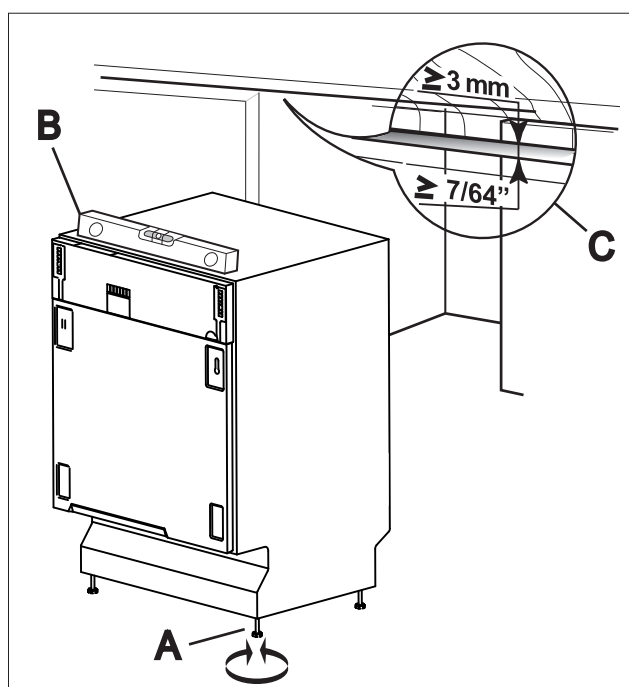
AVANT DE PROCÉDER À L'INSTALLATION, ÉTEIGNEZ LE DISJONCTEUR QUI ALIMENTERA L'APPAREIL.

NIVELLEMENT

Mettez l'appareil à niveau à l'aide des pieds réglables en bas.

Utilisez un niveau et ajustez les pieds jusqu'à ce que le lave-vaisselle soit parfaitement à niveau. Le nivellement est essentiel pour assurer le bon fonctionnement du lave-vaisselle.

Assurez-vous de laisser un espace d'au moins 7/64 po [3 mm] entre le haut de la porte du lave-vaisselle et la surface inférieure du comptoir.



INSTALLATION (SUITE)

CONNEXIONS ELECTRIQUES ET D'EAU

Installez le lave-vaisselle pour permettre un accès facile aux connexions électriques et hydrauliques à travers les armoires adjacentes. Ces connexions ne doivent jamais être derrière le lave-vaisselle. Les tuyaux d'arrivée et de vidange peuvent être orientés dans n'importe quelle direction, mais assurez-vous qu'ils ne sont pas pliés, écrasés ou trop serrés. Serrer la bague après avoir dirigé le tuyau dans la direction requise.

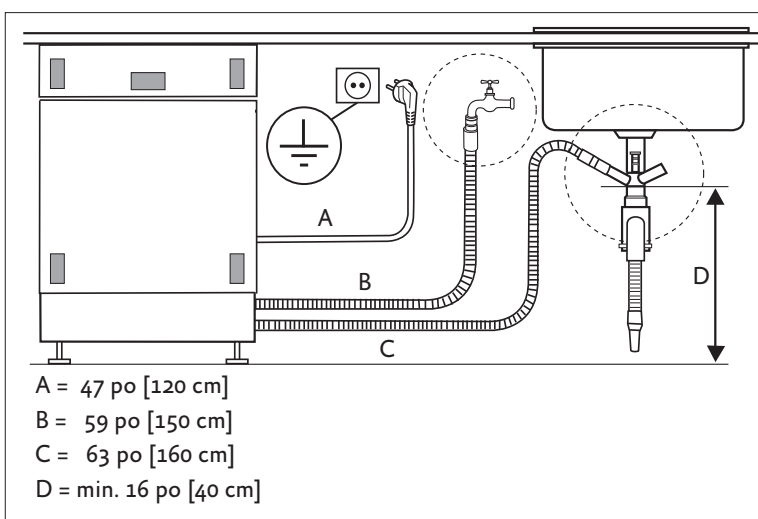
L'illustration ci-dessous indique les longueurs des tuyaux et du cordon d'alimentation aux fins de connexion.



RISQUE D'INCENDIE!
NE PAS COUVRIR OU ÉCRASER LA FICHE DE CORDON.

Un trou traversant d'un diamètre d'au moins 2-1/4 po [5,7 cm] est requis pour laisser passer les tuyaux et le cordon d'alimentation.

- Assurez-vous qu'aucun bord rugueux n'endommage le cordon d'alimentation ou les flexibles.
- Si le lave-vaisselle est installé dans une armoire ou un boîtier en métal, protégez le bord du trou traversant pour les tuyaux et le cordon d'alimentation avec une rondelle.
- N'utilisez pas de rallonges lors du raccordement électrique car elles ne garantissent pas la sécurité.



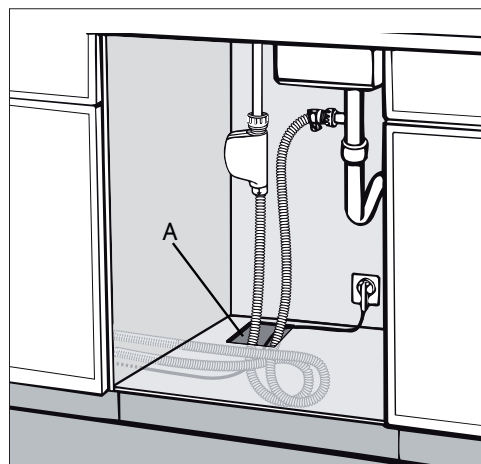
L'INSTALLATION DU LAVE-VAISSELLE DANS UN ESPACE RARROW PEUT ÊTRE PLIÉ OU ÉCRASÉ LE CORDON D'ALIMENTATION. SOYEZ GRAND SOIN AFIN DE RÉDUIRE LA POSSIBILITÉ D'ENDOMMAGER LE CORDON D'ALIMENTATION LORS DE L'INSTALLATION OU DU DÉPOSE DE L'APPAREIL.

CONNEXION DE L'ALIMENTATION D'EAU

AVIS

PRÉVENIR LES RISQUE D'OBSTRUCTION OU DE DOMMAGES:

SI LA PLOMBERIE EST NEUVE OU N'A PAS ÉTÉ UTILISÉE LORS D'UN LONG TERME, AVANT DE RELIER L'ALIMENTATION EN EAU, VÉRIFIEZ QUE L'EAU EST LIBRE ET SANS DÉBRIS, AFIN D'ÉVITER TOUT DOMMAGE À L'APPAREIL. LE LAVE-VAISSELLE DOIT TOUJOURS ÊTRE CONNECTÉ AU SYSTÈME D'EAU AVEC DE NOUVEAUX TUYAUX. LES FLEXIBLES VIEUX OU USÉS NE DOIVENT JAMAIS ÊTRE RÉUTILISÉS.



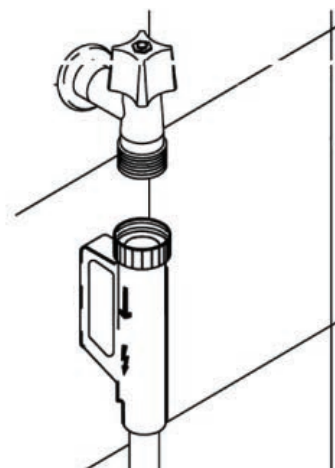
CONNEXION À UNE ROBINET D'EAU

Raccordez le tuyau d'arrivée à une robinet d'eau taraudée de 3/4 po raccordant le filtre fourni. Fixez fermement le tuyau en serrant la bague correspondante avec vos mains. Terminer en serrant encore 1/4 de tour à l'aide d'une pince de plomberie.

Le lave-vaisselle peut être rempli d'eau à une température inférieure à 140° F [60° C]. Si l'appareil est rempli d'eau chaude, les temps de lavage seront réduits d'environ 20 minutes, mais l'efficacité sera légèrement réduite.

- Température recommandée: 120° F [49° C], 140° F [60° C] maximum.
- Pression d'eau recommandée: 7-130 PSI [0,5 - 9 bar]. Si la pression est trop élevée, utilisez un réducteur de pression.

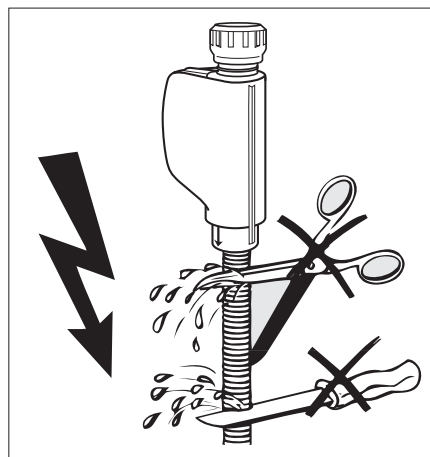
Un tuyau en caoutchouc raccordé à un jet d'évier peut éclater s'il est installé sur les mêmes tuyaux alimentant le lave-vaisselle. Si votre évier est équipé de cet accessoire, retirez le tuyau et fermez le trou.



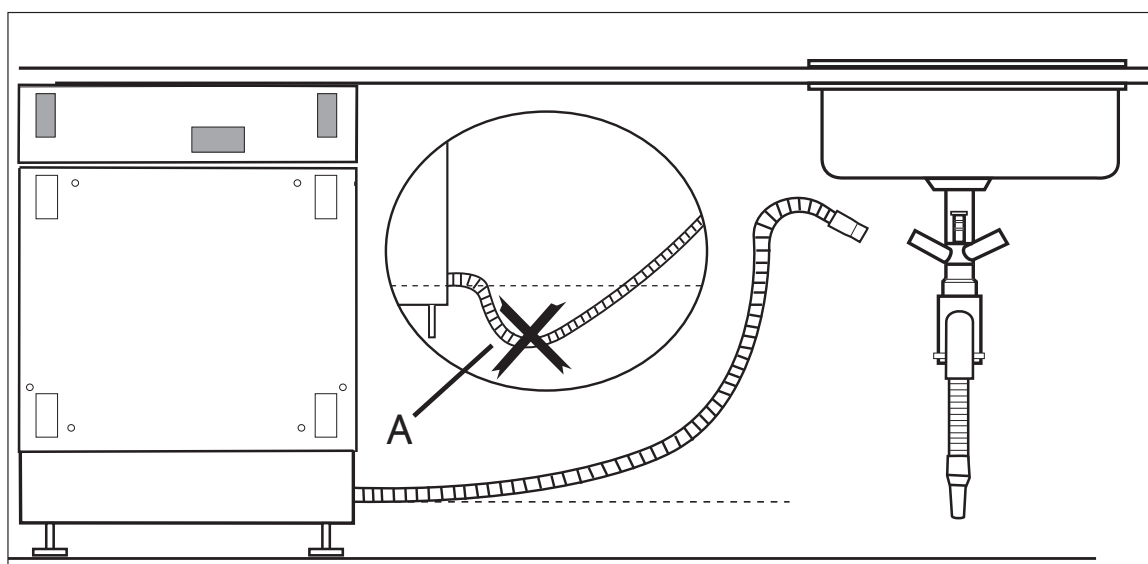
FR

⚠ PRÉCAUTION NE COUPEZ PAS LE TUYAU D'ADMISSION.

Si le tuyau est coupé, le lave-vaisselle ne fonctionnera pas, de l'eau coulera et vous pourriez vous blesser. Si le tuyau est trop long, enroulez-le soigneusement et placez-le derrière l'appareil. Le faisceau de câbles et les composants électriques ne doivent pas entrer en contact avec le système hydraulique et les tuyaux d'arrivée d'eau et de drainage.



Lors du raccordement du tuyau de vidange du lave-vaisselle à l'évier, assurez-vous que le tuyau n'est pas plié afin d'éviter toute fissure ou fissure qui pourrait l'endommager.



INSTALLATION (SUITE)

CONNEXION À UNE BROYEUR DE DÉCHETS ALIMENTAIRES AVEC UN DISPOSITIF D'ÉCART ANTI-RETOUR

RÉALISEZ LE RACCORDEMENT DU SIPHON DE LA LIGNE DE DRAINAGE À AU MOINS 15-3/4 po [40 cm] AU-DESSUS DU PLANCHER SUR LEQUEL LE LAVE-VAISSELLE SERA INSTALLÉ.

1. Retirez le couvercle de la broyeur de déchets alimentaires (A).

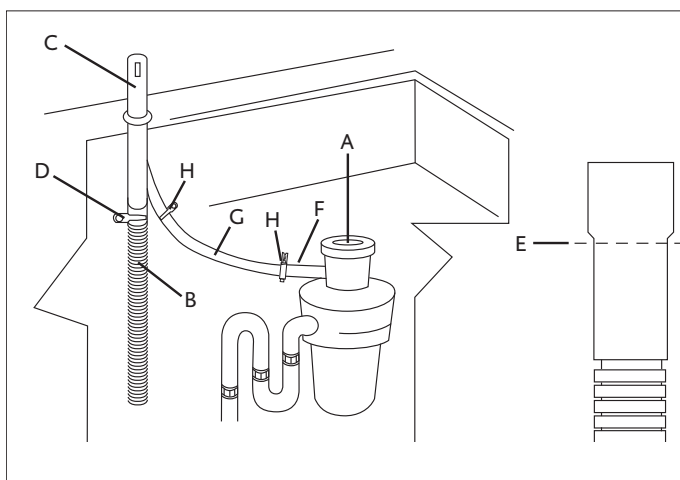
2. Raccordez le tuyau de drainage du lave-vaisselle (B) à la dispositif d'écart anti-retour (C) à l'aide de la pince à ressort large (D)*.

3. Si nécessaire, coupez l'extrémité du tuyau de drainage du lave-vaisselle (E) (ne coupez PAS la section ondulée).

- Si le tuyau de drainage a été coupé, utilisez un collier de serrage à vis de 1-1/2 à 2 po [3,8 à 5,0 cm]*.

4. Pour raccorder la dispositif d'écart anti-retour (C) à l'entrée de la broyeur de déchets alimentaires (F), utilisez un tuyau en caoutchouc (G)* avec pince à ressort ou collier à vis (H)*.

* Disponible dans un magasin de plomberie ou un quincaillerie.



CONNEXION À UNE DISPOSITIF D'ÉCART ANTI-RETOUR SANS UNE BROYEUR DE DÉCHETS ALIMENTAIRES

RÉALISEZ LE RACCORDEMENT DU SIPHON DE LA LIGNE DE DRAINAGE À AU MOINS 15-3/4 po [40 cm] AU-DESSUS DU PLANCHER SUR LEQUEL LE LAVE-VAISSELLE SERA INSTALLÉ.

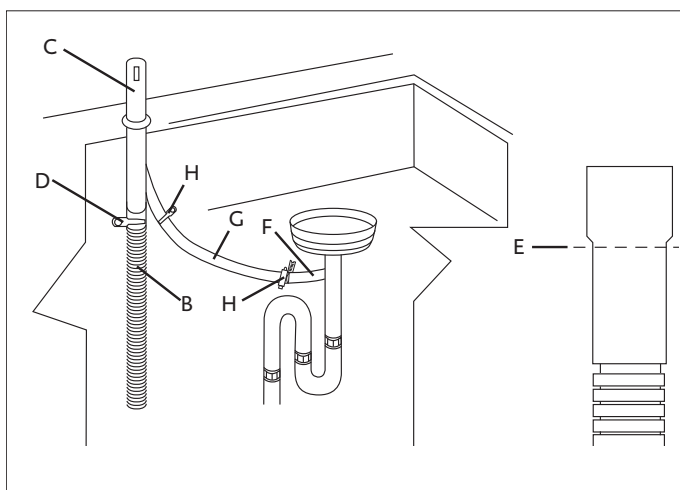
1. Raccordez le tuyau de drainage du lave-vaisselle (B) à la dispositif d'écart anti-retour (C) à l'aide de la pince à ressort large (D)*.

2. Si nécessaire, coupez l'extrémité du tuyau de drainage du lave-vaisselle (E) (ne coupez PAS la section ondulée).

- Si le tuyau de drainage a été coupé, utilisez un collier de serrage à vis de 1-1/2 à 2 po [3,8 à 5,0 cm]*.

3. Pour raccorder la dispositif d'écart anti-retour (C) à l'entrée de la broyeur de déchets alimentaires (F), utilisez un tuyau en caoutchouc (G)* avec pince à ressort ou collier à vis (H)*.

* Disponible dans un magasin de plomberie ou un quincaillerie.



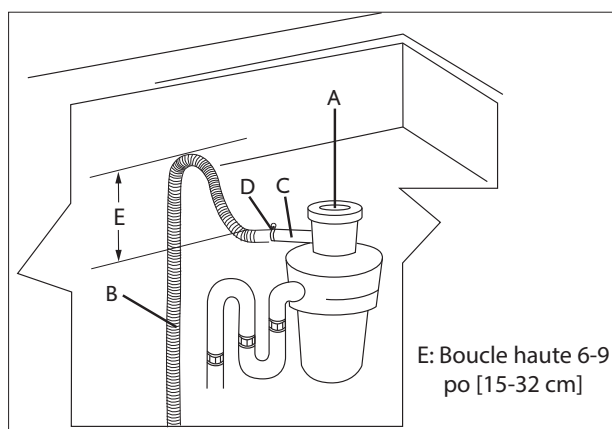
INSTALLATION (SUITE)

CONNEXION À UNE BROYEUR DE DÉCHETS ALIMENTAIRES SANS UN DISPOSITIF D'ÉCART ANTI-RETOUR

RÉALISEZ LE RACCORDEMENT DU SIPHON DE LA LIGNE DE DRAINAGE À AU MOINS 15-3/4 po [40 cm] AU-DESSUS DU PLANCHER SUR LEQUEL LE LAVE-VAISSELLE SERA INSTALLÉ.

FR

1. Retirez le couvercle de la broyeur de déchets alimentaires (A).
2. Raccordez le tuyau de drainage du lave-vaisselle (B) à l'entrée de la broyeur de déchets alimentaires (C) à l'aide de la pince à ressort large (D)*.
3. Organisez le tuyau de manière à former une boucle haute (E) de 6 à 9 po [15-23 cm] de hauteur, comme indiqué dans l'illustration. Ceci est nécessaire pour empêcher le reflux d'eau contaminée dans le lave-vaisselle.

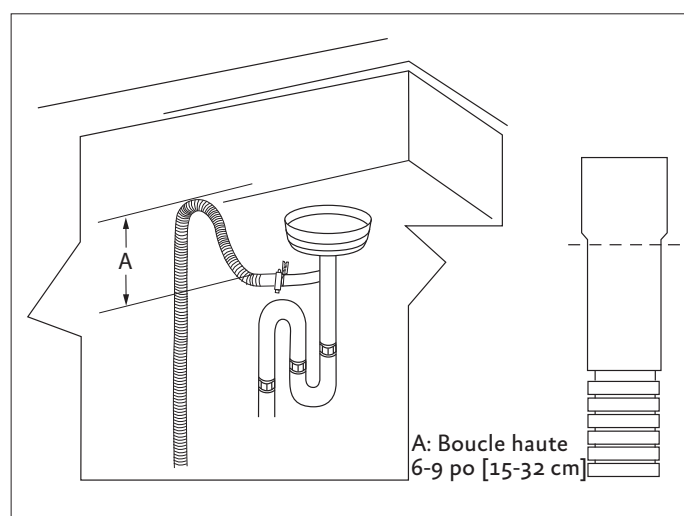


* Disponible dans un magasin de plomberie ou un quincaillerie.

CONNEXION À UN RACCORD "T" UNION

RÉALISEZ LE RACCORDEMENT DU SIPHON DE LA LIGNE DE DRAINAGE À AU MOINS 15-3/4 po [40 cm] AU-DESSUS DU PLANCHER SUR LEQUEL LE LAVE-VAISSELLE SERA INSTALLÉ.

1. Raccordez le tuyau de drainage du lave-vaisselle au raccord en T du drain à l'aide d'un collier de serrage de 1-1/2 à 2 po [3,8 à 5,0 cm]. *
2. Organisez le tuyau de manière à former une boucle haute (E) de 6 à 9 po [15-23 cm] de hauteur, comme indiqué dans l'illustration. Ceci est nécessaire pour empêcher le reflux d'eau contaminée dans le lave-vaisselle.
3. Si nécessaire, coupez l'extrémité du tuyau de drainage du lave-vaisselle (E) (ne coupez PAS la section ondulée).



* Disponible dans un magasin de plomberie ou un quincaillerie.

CONNEXION À LA PRISE DE COURANT



PRÉCAUTION

VÉRIFIEZ QUE LA TENSION ET LA FRÉQUENCE DE LA SORTIE CORRESPOND À LA NOTE SUR LA PLAQUE SIGNALÉTIQUE DE L'APPAREIL, QUI EST POSITIONNÉE AU BORD DE LA PORTE.



PRÉCAUTION

EN CAS DE DOMMAGES AU CORDON D'ALIMENTATION, FAITES LE REMPLACER PAR LE FABRICANT OU UN TECHNICIEN AUTORISÉ. CET APPAREIL DOIT ÊTRE MIS À LA TERRE. EN CAS DE MAUVAIS FONCTIONNEMENT, LA MISE À LA TERRE RÉDUIT LE RISQUE D'ÉLECTROCUTION EN FOURNISSANT AU COURANT ÉLECTRIQUE UN CHEMIN ALTERNATIF, MOINS RÉSISTANT. CET APPAREIL EST ÉQUIPE D'UN CORDON D'ALIMENTATION CONTENANT UN FIL ET UNE FICHE MISE À LA TERRE. AJOUTER LA FICHE À UNE PRISE ADAPTÉE, INSTALLÉE ET MISE À LA TERRE CONFORMÉMENT AU CODES LOCAL.

INSTALLATION (SUITE)



AVERTISSEMENT

AVANT DE FAIRE DES CONNEXIONS ÉLECTRIQUES, ÉTEIGNEZ LE DISJONCTEUR QUI SERVIRA L'APPAREIL.



AVERTISSEMENT

UN FIL DE TERRE CONNECTÉ DE MANIÈRE INCORRECTE PEUT GÉNÉRER UN RISQUE D'ÉLECTROCUTION. EN CAS DE DOUTE SUR LA MISE À LA TERRE CORRECTE DE L'APPAREIL, FAITES APPEL À UN ÉLECTRICIEN QUALIFIÉ OU AU SERVICE D'ASSISTANCE TECHNIQUE. NE CHANGEZ PAS LA FICHE ATTACHÉE À L'APPAREIL.



PRÉCAUTION

LA FICHE A LA FIN DU CORDON D'ALIMENTATION ET LA PRISE CORRESPONDANTE DOIVENT ÊTRE DU MEME TYPE ET CONFORMES AUX RÉGLEMENTATIONS LOCALES RÉGISSANT LES APPAREILS ÉLECTRIQUES. N'ENLEVEZ JAMAIS LA FICHE EN TIRANT SUR LE CORDON.

PROTECTION CONTRE LA CONDENSATION

Le pare-vapeur protège le comptoir de la vapeur et de la condensation lorsque la porte du lave-vaisselle est ouverte à la fin du cycle de lavage.

Deux protections sont fournies pour être utilisées conformément aux exigences d'installation. Voir "KIT D'INSTALLATION FOURNI AVEC LAVE-VAISSELLE" à la page 6.

Montez le pare-vapeur comme suit:

PROTECTEUR DE VAPEUR MONTÉ À VIS

Si le comptoir peut être percé pour les vis, utilisez le pare-vapeur à vis.

1. Marquez et percez des avant-trous si nécessaire.
2. Positionnez le protecteur et installez les vis de montage.

PROTECTEUR DE VAPEUR MONTÉ ADHÉSIF

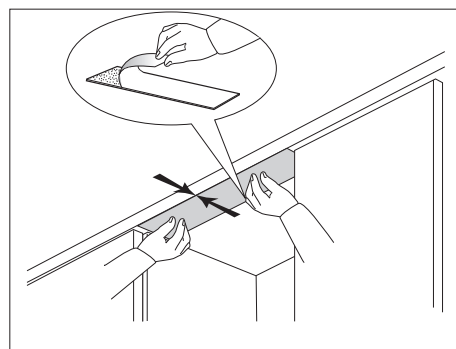
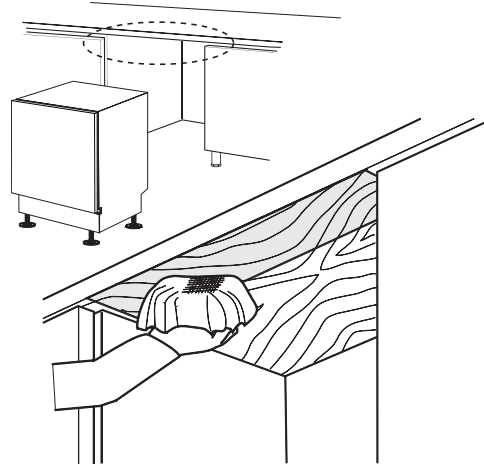
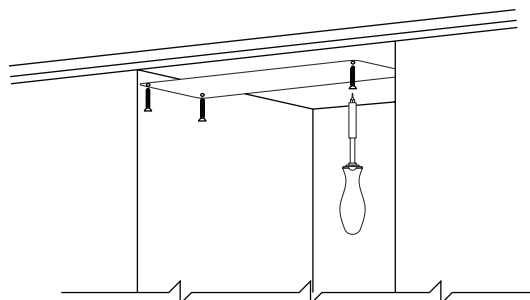
Si le comptoir ne peut pas être percé pour les vis de montage, utilisez le pare-vapeur monté sur adhésif.

1. Nettoyez la partie avant du comptoir située à 6 po [15 cm] directement au-dessus de la porte.
2. Pelez la couche protectrice de la surface adhésive.
3. Appliquez le pare-vapeur en appuyant fermement sur le pare-vapeur pour obtenir le plein contact de l'adhésif sur la surface de montage.

PROCHAINES ÉTAPES

Si votre lave-vaisselle est un modèle à superposition, suivez les instructions de la section PANNEAUX DÉCORATIFS.

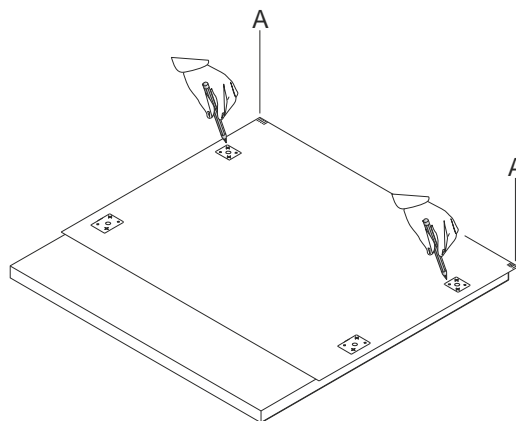
Si vous avez un modèle avec porte en acier inoxydable ou de couleur, passez à "ÉTAPES FINALES" à la page 16.



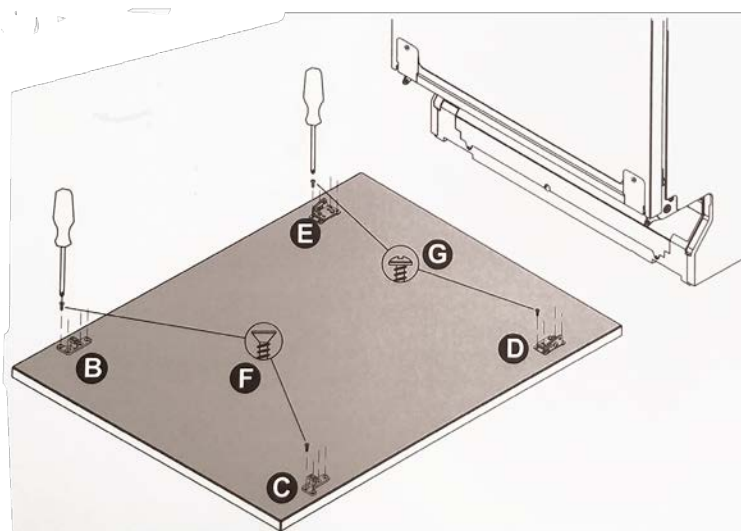
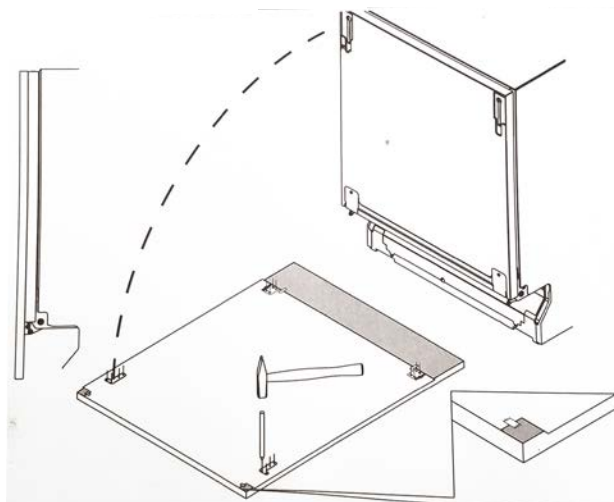
PRÉPARATION DES PANNEAUX DÉCORATIFS

MONTAGE DES CROCHETS ET SUPPORTS

1. Placez le gabarit fourni sur la surface interne du panneau de décoratif.
2. Centrer le gabarit sur le panneau et l'aligner avec le bord supérieur, en faisant correspondre les localisateurs de référence (A).
3. Marque la position des crochets et supports de la porte avec un crayon.
4. Retirez le gabarit et utilisez une perceuse avec un mèche appropriée pour faire des trous soigneusement aux points marqués sur le panneau.
 - Pour éviter de forer trop profondément, il est recommandé d'utiliser un arrêt de forage.



5. À l'aide d'un tournevis cruciforme, fixez les crochets de la porte (B, C) avec les 8 vis à tête plate fournies (éléments F) aux points de référence marqués.
6. Utilisez le tournevis pour fixer les supports inférieurs (D, E) avec les 8 vis à tête ronde fournies (élément G) aux points de référence marqués.

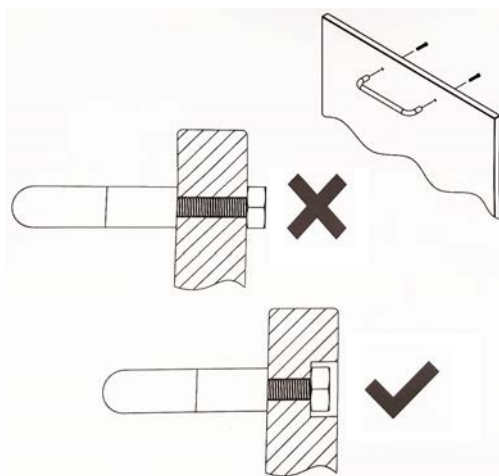


MONTAGE DE POIGNÉE

Le modèle KDW24-OV n'est pas fourni avec une poignée de porte. L'installation de la poignée préférée du client doit être effectuée conformément aux instructions fournies avec la poignée et aux bonnes pratiques.

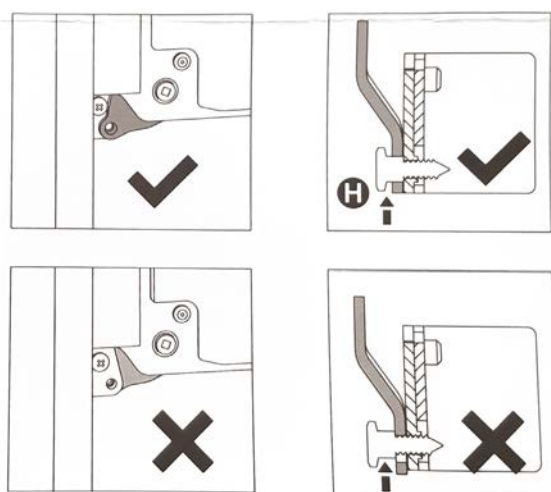
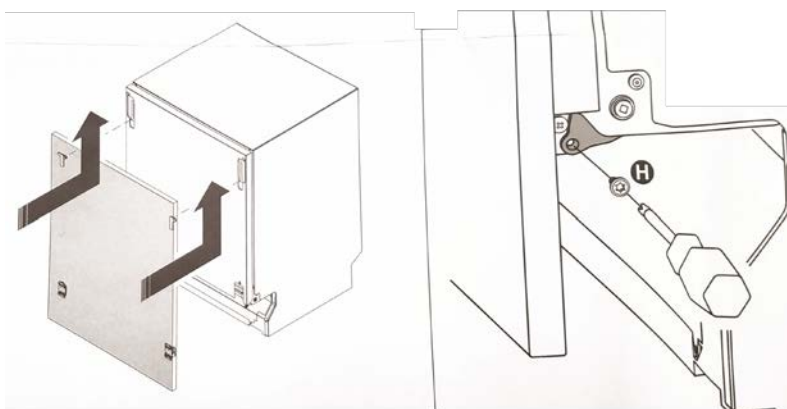
AVIS

Les vis de fixation de la poignée doivent être à tête fraisée ou encastrées pour ne pas dépasser de la surface du panneau de revêtement.



ATTACHEZ LE PANNEAU DE PORTE:

Insérez les crochets dans leurs fentes du lave-vaisselle, faites glisser le panneau vers le haut et installez les vis du support (éléments H).



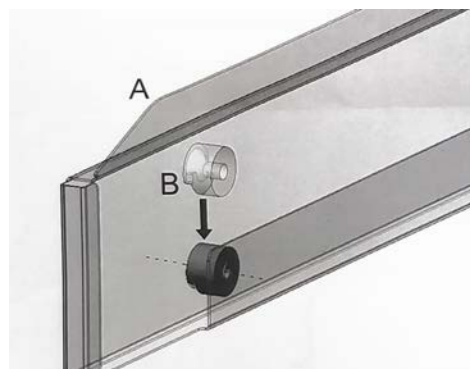
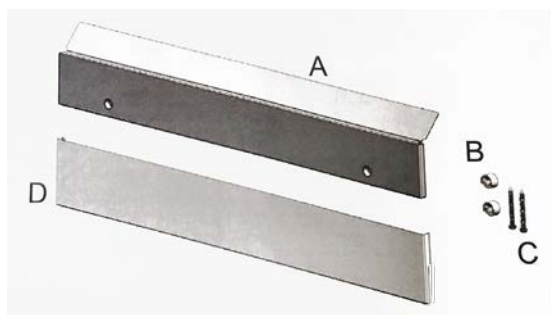
- Assurez-vous que la tige de la vis (H) passe dans le trou du support, comme indiqué ci-dessus.
- Assurez-vous que la porte du lave-vaisselle, complète avec le panneau, s'ouvre complètement.

ÉTAPES FINALES

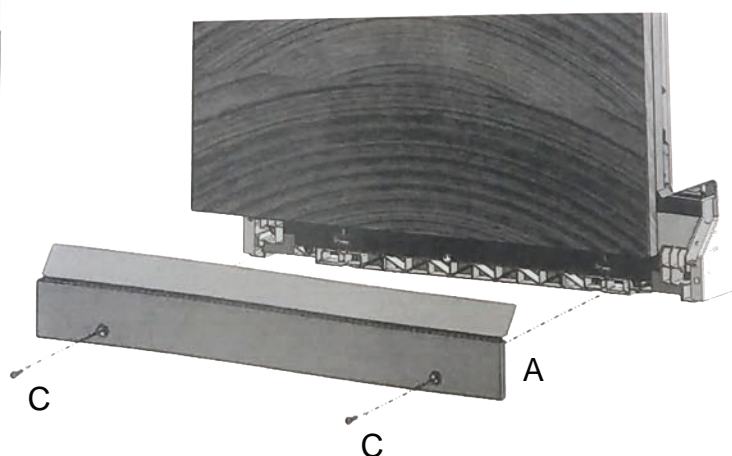
PLAQUE DE BASE AJUSTABLE

Une plaque de base ajustable est fournie pour protéger l'avant du lave-vaisselle.

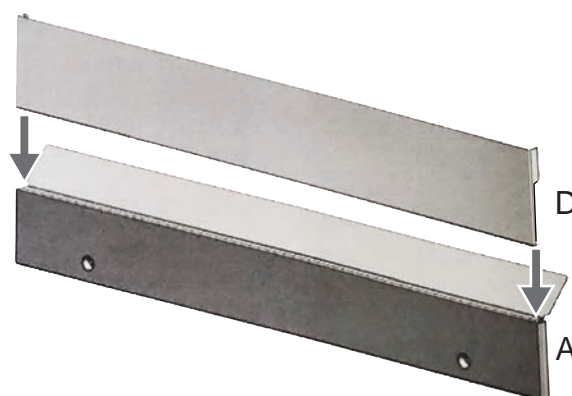
FR



1. Installez les entretoises dans la plaque principale (A, B ci-dessus)
2. Positionnez la plaque (A) et installez les vis (C)



3. Positionnez la plaque coulissante (D) de sorte qu'elle soit capturée par la plaque principale (A) et puisse glisser jusqu'au sol.

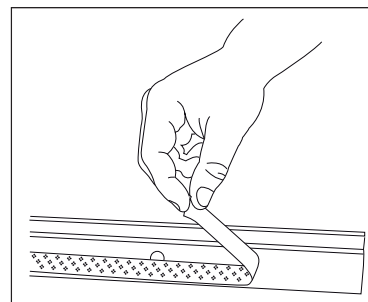


ÉTAPES FINALES (CONT)

JOINTS

Avant de fixer le lave-vaisselle aux armoires, fixez les joints sur les côtés.

1. Retirez le ruban de protection de la surface adhésive.
2. Fixez le joint au lave-vaisselle en l'insérant dans le siège latéralement vers l'avant
 - Assurez-vous que le côté long du joint, celui avec le trou pour insérer la vis, est fixé à l'extérieur du lave-vaisselle. (Figure 1 ci-dessous.)
 - Le trou du côté long doit correspondre au trou du lave-vaisselle. (Voir A dans la Figure 2 ci-dessous.)



La Figure 3 montre le joint en position.

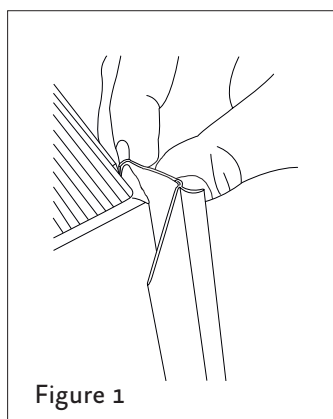


Figure 1

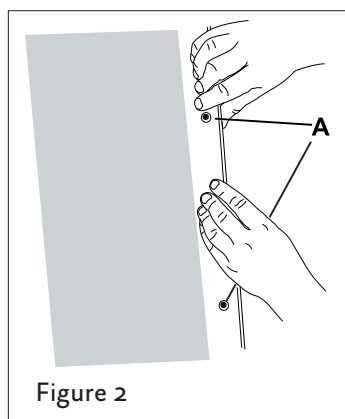


Figure 2

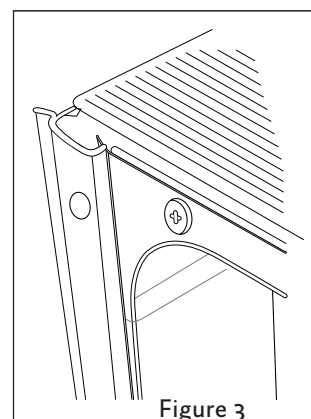


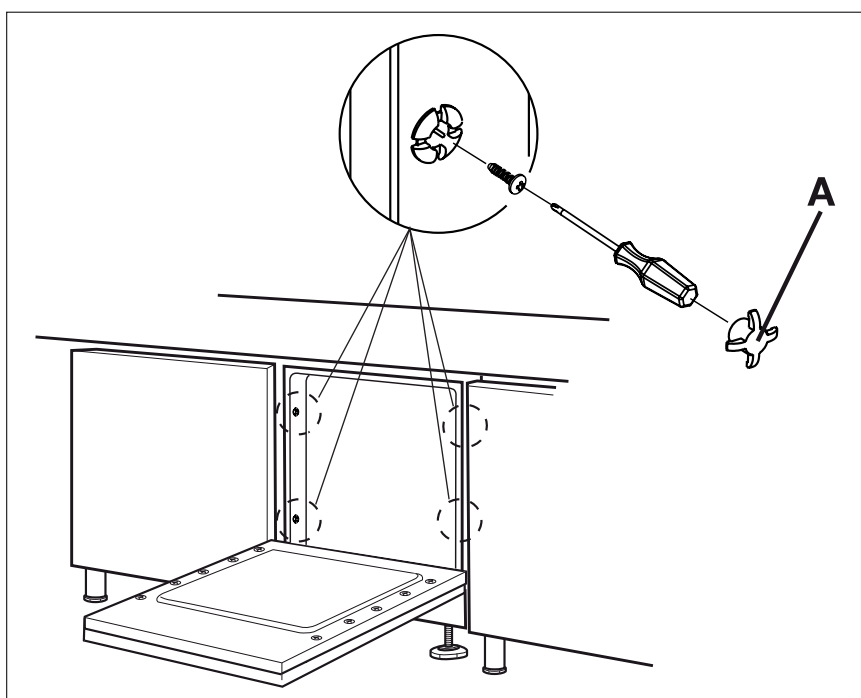
Figure 3

3. Assurez-vous que le joint adhère parfaitement au lave-vaisselle.
4. Installez et serrez les vis fournies avec un tournevis; cette opération sécurise le lave-vaisselle aux armoires adjacentes.

AVIS ASSUREZ-VOUS QU'IL Y A UN ESPACE D'AU MOINS 1/8 PO [3 MM] ENTRE LE HAUT DE LA PORTE ET LA SURFACE AU-DESSUS DE CELLE-CI.

Cette opération permet de fixer le lave-vaisselle aux armoires adjacentes ou au comptoir.

5. Couvrez les trous latéraux avec les bouchons fournis

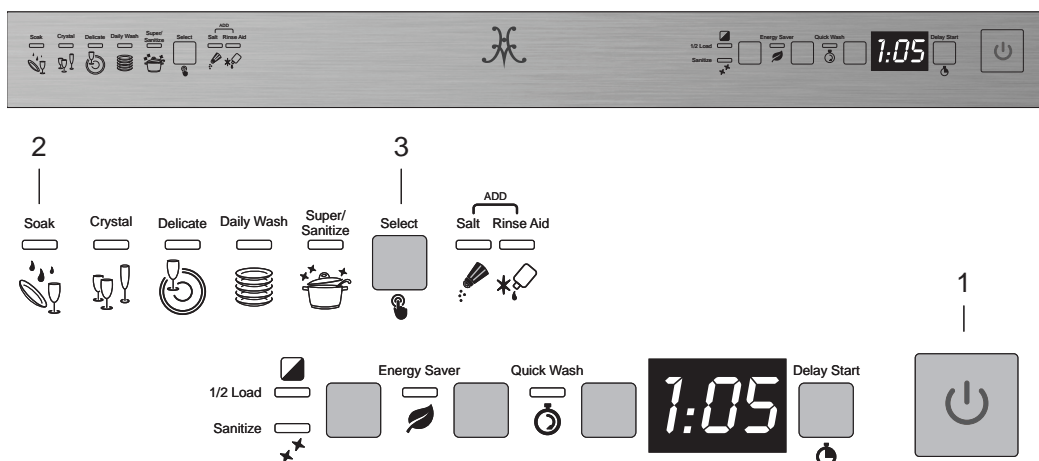


ÉTAPES FINALES (CONT)

TEST DE FONCTIONNEMENT

Avant de commencer un programme de lavage, procédez comme suit:

1. La robinet d'alimentation en eau est ouverte.
2. Préparez le système d'adoucissement en suivant les instructions du Manuel d'Utilisation et d'Entretien, "UTILISATION DU SYSTÈME D'ADOUCCISSEMENT DE L'EAU" à la page 18.
3. Ajoutez du produit de rinçage conformément aux instructions du Manuel d'Utilisation et d'Entretien, "AJOUT DE PRODUIT DE RINÇAGE AU DISTRIBUTEUR" à la page 20.



ALLUMER LE LAVE-VAISSELLE

Appuyez sur le bouton marche / arrêt (élément 1 ci-dessus) pour démarrer le lave-vaisselle. Attendez ensuite que l'un des voyants du programme s'allume.

SÉLECTION ET DÉMARRAGE D'UN PROGRAMME

Pour un test initial, exécutez le cycle de trempage. Appuyez plusieurs fois sur Select (touche de sélection de programme, élément 3 ci-dessus) jusqu'à ce que le voyant lumineux de Soak s'allume (élément 2 ci-dessus).

Fermez la porte et le cycle devrait commencer après environ 2 secondes.

REMARQUE: Si la porte n'est pas fermée dans les 5 secondes suivant la sélection du programme, les voyants du programme clignoteront rapidement. Si la porte est ensuite fermée, le programme ne fonctionnera pas.

Appuyez une nouvelle fois sur Select, puis fermez la porte.

INDICATEUR DE FONCTIONNEMENT DU PROGRAMME

Lorsqu'un programme est en cours d'exécution, une lumière clignotante est projetée sur le sol sous le coin droit de la porte.

- Si le programme est sélectionné mais ne fonctionne pas, le voyant reste allumé.

À la fin du programme, le voyant s'éteint.

SERVICE

Toutes les réparations dans le cadre ou en dehors de la garantie doivent être effectuées par du personnel d'entretien qualifié. Pour localiser un réparateur agréé dans la région, s'adresser au concessionnaire Hestan, au représentant local ou à l'usine. Avant d'appeler, veiller à avoir les numéros de modèle et de série à portée de la main.

Hestan Commercial Corporation
3375 E. La Palma Avenue
Anaheim, CA 92806
(888) 905-7463

**RETAIN THIS MANUAL FOR FUTURE REFERENCE
CONSERVEZ CE MANUEL POUR UNE RÉFÉRENCE FUTURE**



Hestan Commercial Corporation

3375 E. La Palma Ave.
Anaheim, CA 92806
(888) 905-7463