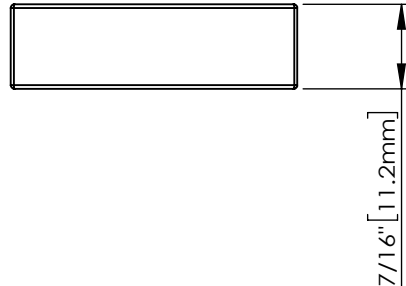
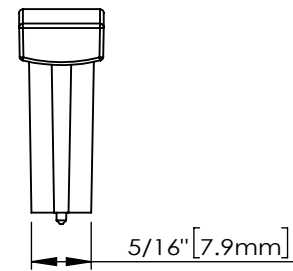
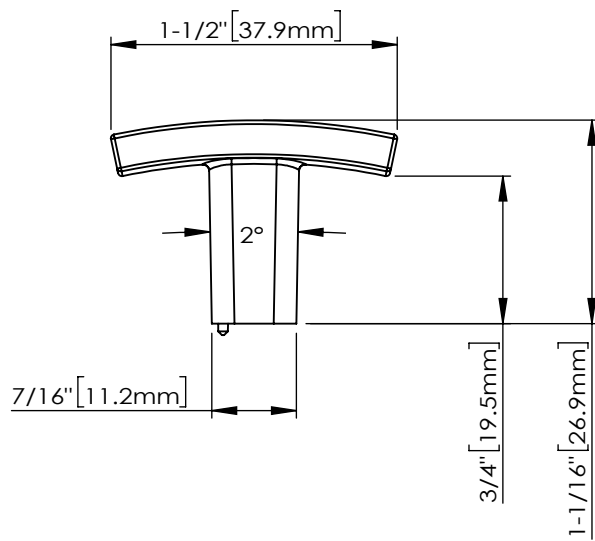
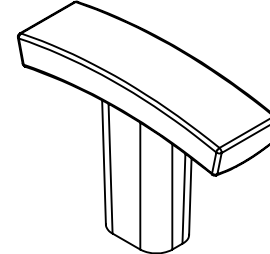
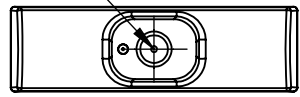


8-32 UNC ∇ 1/2" [12.7 mm]



ACCESSORY:
 SCREW: 8-32X1-1/8" 1 PCS
 BREAK AWAY SCREW: 8-32X45mm 1 PCS

<p>PROPRIETARY AND CONFIDENTIAL</p> <p>THE INFORMATION CONTAINED IN THIS DRAWING IS THE SOLE PROPERTY OF HARDWARE RESOURCES INC. ANY REPRODUCTION IN PART OR AS A WHOLE WITHOUT THE WRITTEN PERMISSION OF HARDWARE RESOURCES INC. IS PROHIBITED.</p>	ITEM#:	859-T		MATERIAL:	Zinc	
	FINISH:			WEIGHT:	25g/0.055lb	
					PROJECTION:	
	TOLERANCE UNLESS OTHERWISE SPECIFIED:	UNITS:	DRAWING BY:	DATE:		
x 20.20		Alexander.w	19-6-11			
xx 20.10	SIZE:	FINISH:	DATE:			
xxx 20.05	SHEET:	FINISH:	REVISION:			
ANGULAR: 20.5*	DO NOT SCALE DRAWING					