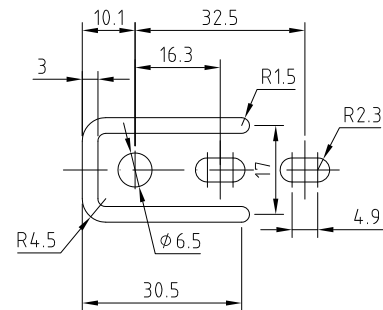
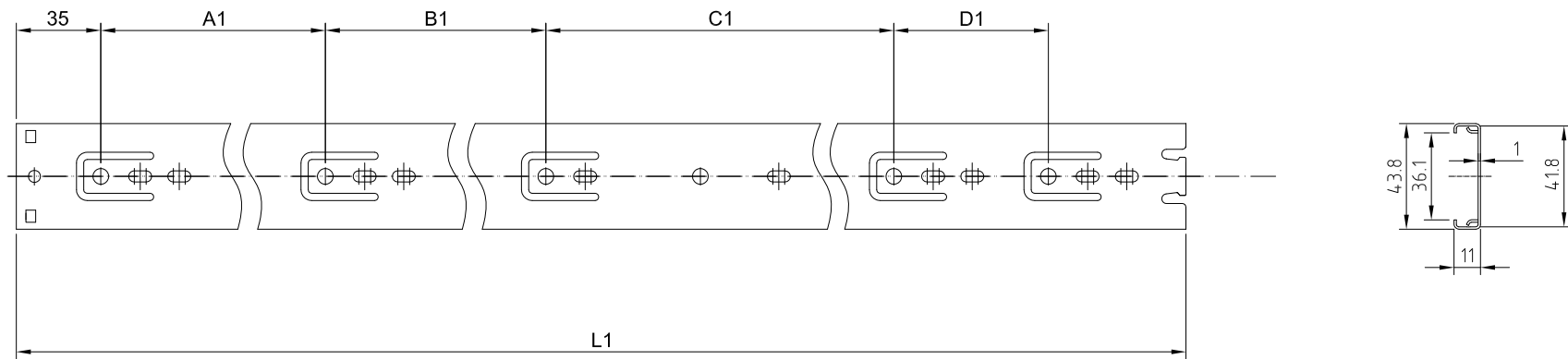


ITEM	L	A
303FU10	250	245
303FU12	300	305
303FU14	350	355
303FU16	400	405
303FU18	450	455
303FU20	500	505
303FU22	550	555
303FU24	600	605
303FU26	650	655
303FU28	700	705

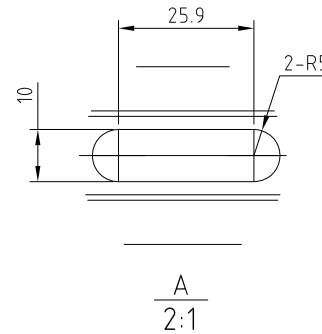
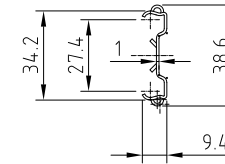
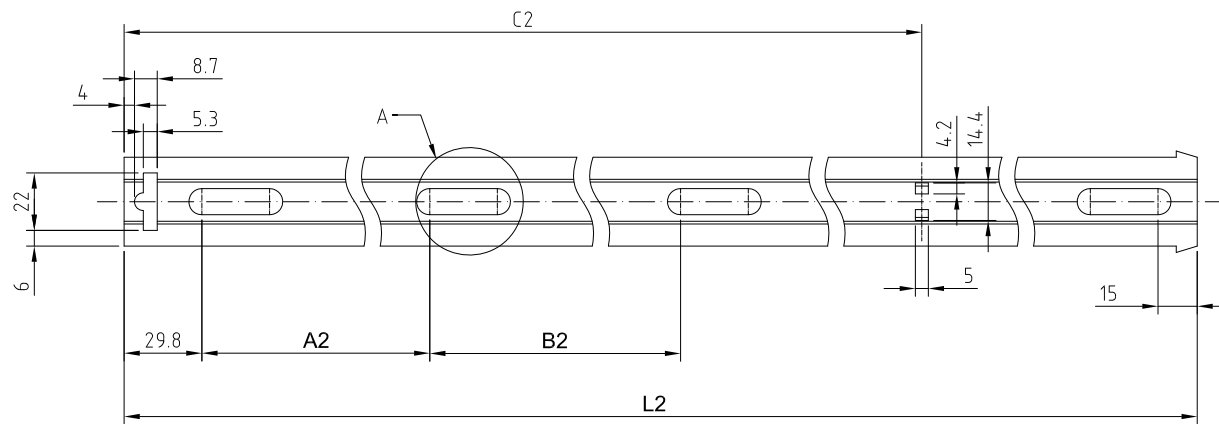
<p>4319 MARLENA ST. BOSSIER CITY, LA 71111</p> <p>PROPRIETARY AND CONFIDENTIAL</p> <p>THE INFORMATION CONTAINED IN THIS DRAWING IS THE SOLE PROPERTY OF HARDWARE RESOURCES INC. ANY REPRODUCTION IN PART OR AS A WHOLE WITHOUT THE WRITTEN PERMISSION OF HARDWARE RESOURCES INC. IS PROHIBITED.</p>	ITEM#: 303FU (10"-28")	MATERIAL:
	FINISH:	WEIGHT: g
		PROJECTION:
TOLERANCE UNLESS OTHERWISE SPECIFIED: X.: MM ±0.20 X.X: MM ±0.10 X.XX: MM ±0.05 ANGULAR: ±0.5° DO NOT SCALE DRAWING	UNIT:	DRAWN BY: <i>alan.tuu</i>
	SIZE:	CHECKED BY:
	PAGE 1	APPROVED BY:
		DATE:



A
2:1

Specification	L1	A1	B1	C1	D1
28"	700	128	192	224	64
26"	650	128	164	192	64
24"	600	128	96	192	64
22"	550	128	96	128	64
20"	500	128	96	128	64
18"	450	128	96	/	128
16"	400	128	96	/	64
14"	350	128	/	/	96
12"	300	128	/	/	96
10"	250	64	/	/	76

 4319 MARLENA ST. BOSSIER CITY, LA 71111 PROPRIETARY AND CONFIDENTIAL THE INFORMATION CONTAINED IN THIS DRAWING IS THE SOLE PROPERTY OF HARDWARE RESOURCES INC. ANY REPRODUCTION IN PART OR AS A WHOLE WITHOUT THE WRITTEN PERMISSION OF HARDWARE RESOURCES INC. IS PROHIBITED.	ITEM#: 303FU (10"-28") FINISH:	MATERIAL: WEIGHT: g PROJECTION:
	TOLERANCE UNLESS OTHERWISE SPECIFIED: X: MM ±0.20 X.X: MM ±0.10 X.XX: MM ±0.05 ANGULAR: ±0.5° DO NOT SCALE DRAWING	UNIT: SIZE: DRAWN BY: <i>alan.kiu</i> CHECKED BY: APPROVED BY:
PAGE 2		

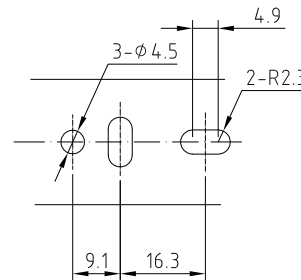
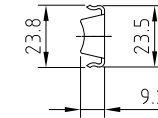
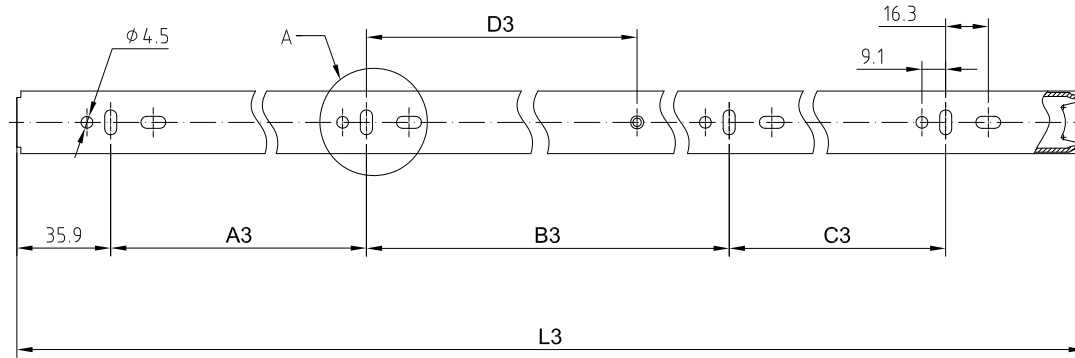


Specification	L2	A2	B2	C2
28"	683	242.5	96	524
26"	633	192.5	75	481
24"	583	212	75	427
22"	533	239.4	75	428.5
20"	483	199.4	75	388.5
18"	433	147.4	75	336.5
16"	383	99.8	75	289
14"	333	89.4	75	253
12"	283	42.3	75	231.4
10"	233	64		178.6

hardware resources

4319 MARLENA ST.
BOSSIER CITY, LA71111
PROPRIETARY AND CONFIDENTIAL
THE INFORMATION CONTAINED IN THIS DRAWING IS THE SOLE PROPERTY OF HARDWARE RESOURCES INC. ANY REPRODUCTION IN PART OR AS A WHOLE WITHOUT THE WRITTEN PERMISSION OF HARDWARE RESOURCES INC. IS PROHIBITED.

ITEM#: 303FU (10"-28")	MATERIAL:
FINISH:	WEIGHT: g
TOLERANCE UNLESS OTHERWISE SPECIFIED: X.: MM ±0.20 X.X: MM ±0.10 X.XX: MM ±0.05 ANGULAR: ±0.5° DO NOT SCALE DRAWING	PROJECTION:
UNIT:	DRAWN BY: <i>alan.kiu</i>
SIZE:	CHECKED BY:
PAGE 3	APPROVED BY:
	DATE:



A
2:1

Specification	L3	A3	B3	C3	D3
28"	698	192	256	160	227
26"	648	192	224	160	167
24"	598	192	320		140
22"	548	224	224		81
20"	498	192	224		95
18"	448	160	192		101
16"	398	128	192		110.5
14"	348	128	128		85
12"	298	96	128		90
10"	247	169			

 4319 MARLENA ST. BOSSIER CITY, LA71111 PROPRIETARY AND CONFIDENTIAL THE INFORMATION CONTAINED IN THIS DRAWING IS THE SOLE PROPERTY OF HARDWARE RESOURCES INC. ANY REPRODUCTION IN PART OR AS A WHOLE WITHOUT THE WRITTEN PERMISSION OF HARDWARE RESOURCES INC. IS PROHIBITED.	ITEM#: 303FU (10"-28")	MATERIAL:	
	FINISH:	WEIGHT: g	
		PROJECTION:	
TOLERANCE UNLESS OTHERWISE SPECIFIED: X: MM ± 0.20 X.X: MM ± 0.10 X.XX: MM ± 0.05 ANGULAR: $\pm 0.5^\circ$ DO NOT SCALE DRAWING	UNIT:	DRAWN BY: <i>alan.kiu</i>	DATE:
	SIZE:	CHECKED BY:	DATE:
	PAGE 4	APPROVED BY:	DATE: