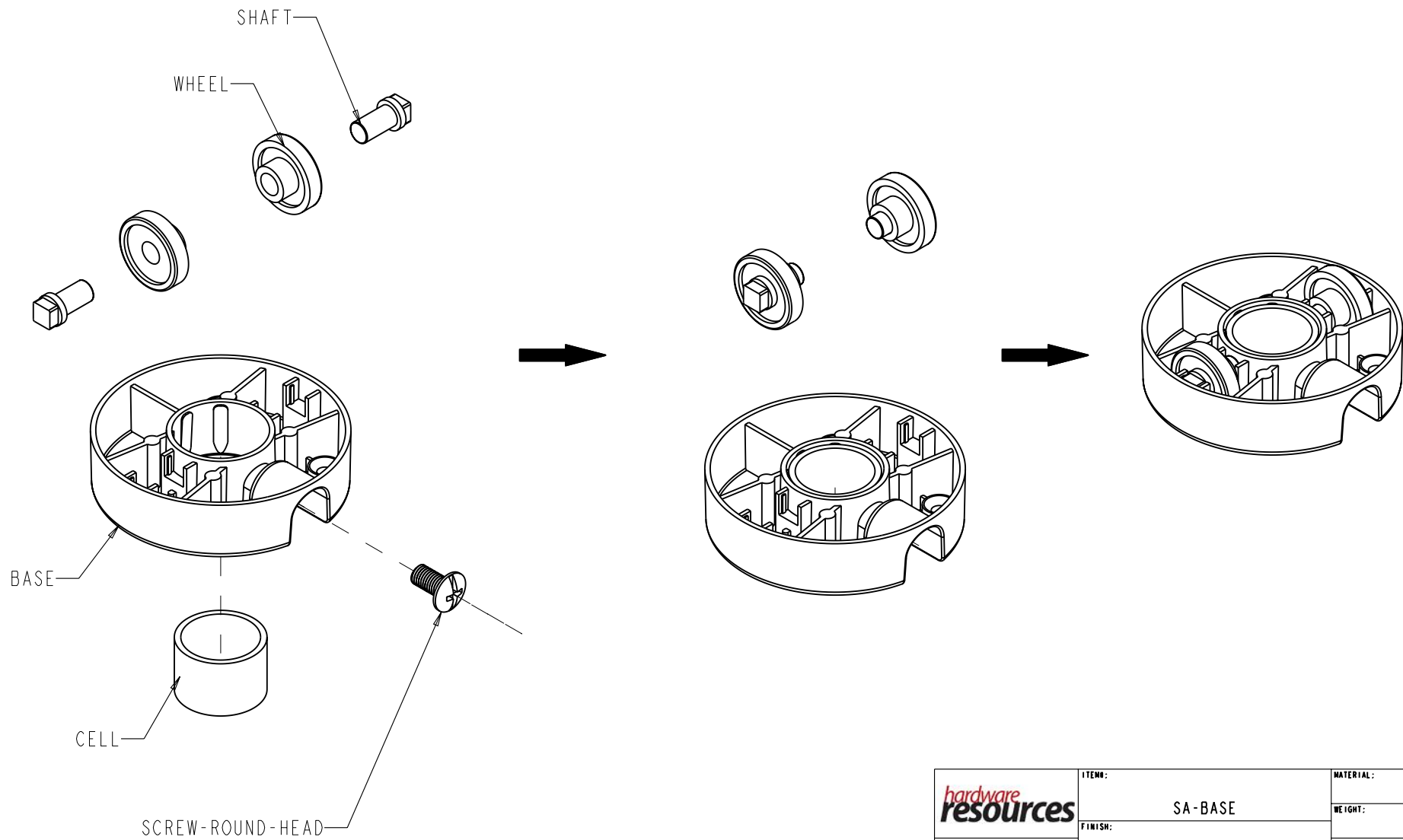


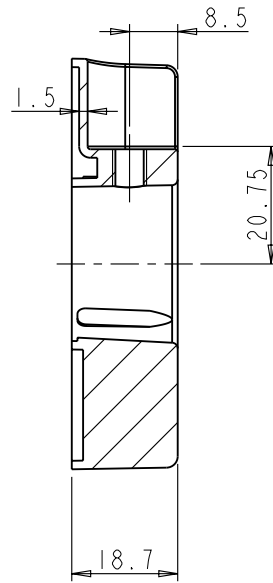
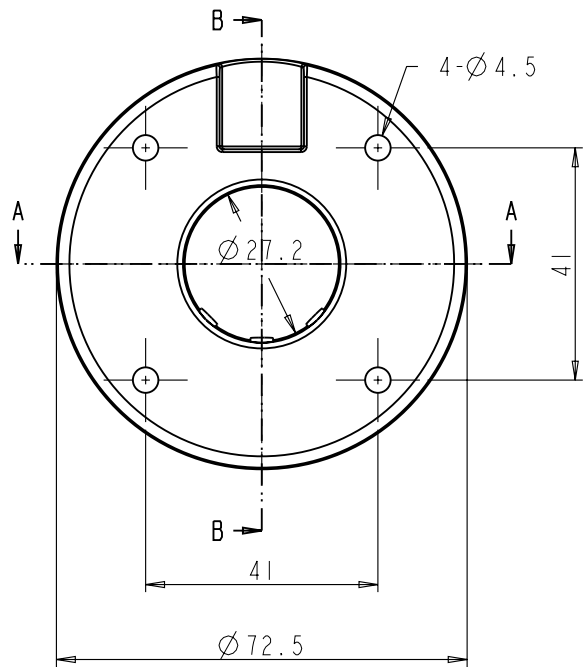
BILLS OF MATERIAL :

NO.	ITEM#	MATERIAL	QTY	UNIT WEIGHT	TOTLE WEIGHT	TYPE	ASSY LEVEL
9	SA-INNER-PIPE	ASSEMBLY	1	238.81	238.81	ASSEMBLY	1
8	SA-LOCKER	ASSEMBLY	1	83.83	83.83	ASSEMBLY	1
7	SCREW-FLAT-HEAD-LONG	STEEL	6	1.33	7.95	PART	1
6	SA-COVER	ASSEMBLY	2	140.58	281.16	ASSEMBLY	1
5	LSK	WOOD	2			PART	1
4	SA-CONNECTOR	ASSEMBLY	2	225.90	451.81	ASSEMBLY	1
3	SCREW-WOODEN	STEEL	4	0.71	2.82	PART	1
2	SA-BASE	ASSEMBLY	2	159.39	318.78	ASSEMBLY	1
1	PIPE-OUTER	STEEL	1	326.59	326.59	PART	1

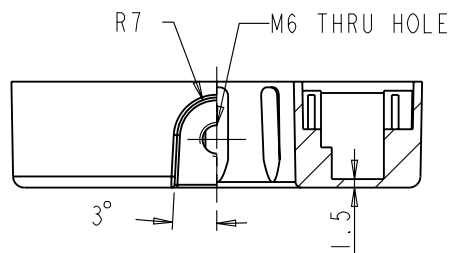
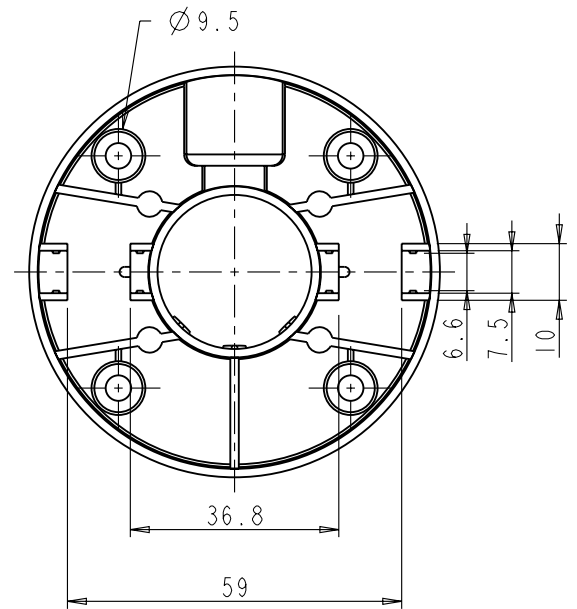
<p><b>PROPRIETARY AND CONFIDENTIAL</b></p> <p>THE INFORMATION CONTAINED IN THIS DRAWING IS THE SOLE PROPERTY OF HARDWARE RESOURCES INC. ANY REPRODUCTION IN PART OR AS A WHOLE WITHOUT THE WRITTEN PERMISSION OF HARDWARE RESOURCES INC. IS PROHIBITED.</p> <p>DO NOT SCALE DRAWING</p>	ITEM#:	LSR-SET		MATERIAL:	
	FINISH:			WEIGHT:	
	TOLERANCE UNLESS OTHERWISE SPECIFIED:	UNITS:	DRAWN BY:	DATE:	
	X ±0.20 X.X ±0.10 X.XX ±0.05 ANGULAR: ±0.5°	SIZE: A4	APPROVED BY:	DATE:	
	SHEET:	RELEASE LEVEL:	REVISION:		



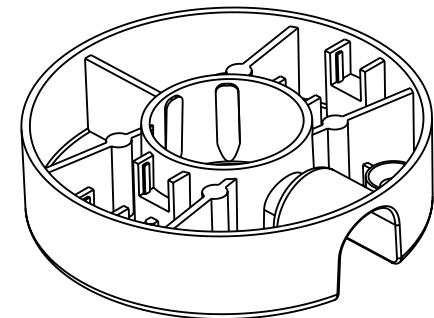
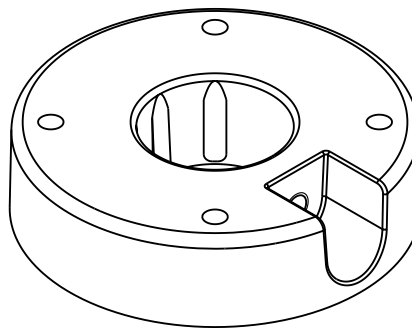
<p><b>hardware resources</b></p> <p><u>PROPRIETARY AND CONFIDENTIAL</u></p> <p>THE INFORMATION CONTAINED IN THIS DRAWING IS THE SOLE PROPERTY OF HARDWARE RESOURCES INC. ANY REPRODUCTION IN PART OR AS A WHOLE WITHOUT THE WRITTEN PERMISSION OF HARDWARE RESOURCES INC. IS PROHIBITED.</p> <p>DO NOT SCALE DRAWING</p>	ITEM:	SA-BASE		MATERIAL:
	FINISH:			WEIGHT:
	TOLERANCE UNLESS OTHERWISE SPECIFIED:	UNITS:	DRAWN BY:	DATE:
	SIZE:	A4	APPROVED BY:	DATE:
ANGULAR: $\pm 0.5^\circ$	SHEET:	RELEASE LEVEL:	REVISION:	



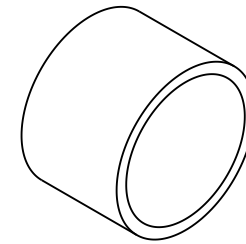
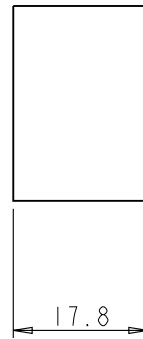
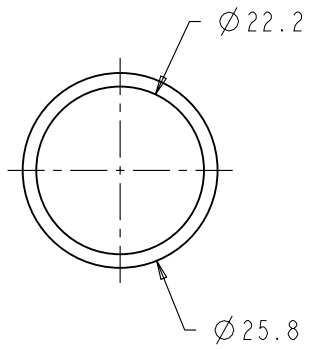
SECTION B-B


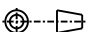


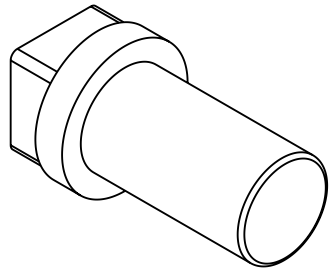
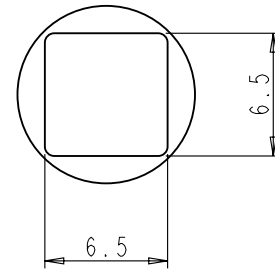
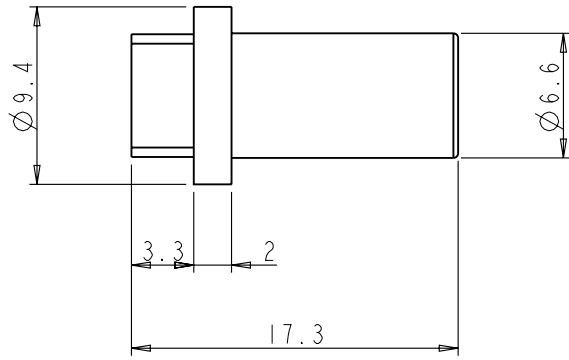
SECTION A-A




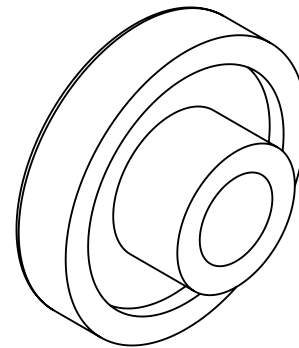
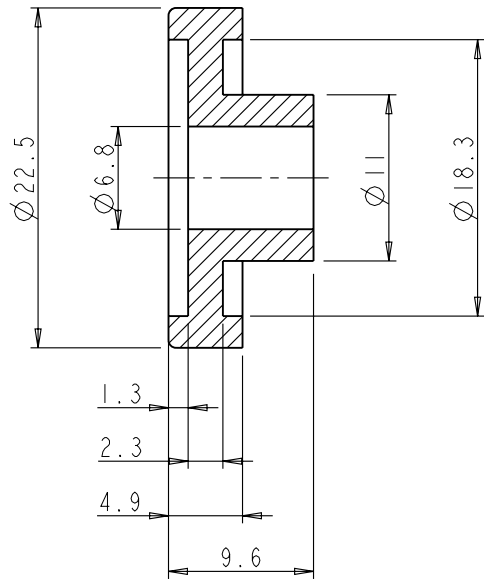
	ITEM:	BASE		MATERIAL:	ZINC
	FINISH:			WEIGHT:	133.30 g
<b>PROPRIETARY AND CONFIDENTIAL</b> THE INFORMATION CONTAINED IN THIS DRAWING IS THE SOLE PROPERTY OF HARDWARE RESOURCES INC. ANY REPRODUCTION IN PART OR AS A WHOLE WITHOUT THE WRITTEN PERMISSION OF HARDWARE RESOURCES INC. IS PROHIBITED.	TOLERANCE UNLESS OTHERWISE SPECIFIED:	UNITS:	DRAWN BY:	DATE:	
	SIZE:	MM	<i>Alan Liu</i>		
	ANGULAR: $\pm 0.5^\circ$	SIZE:	APPROVED BY:	DATE:	
	DO NOT SCALE DRAWING	A4			
	SHEET:	RELEASE LEVEL:	REVISION:		




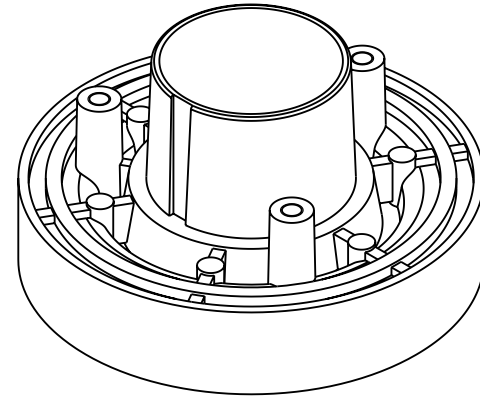
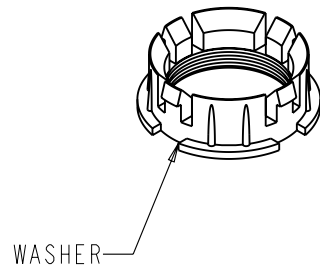
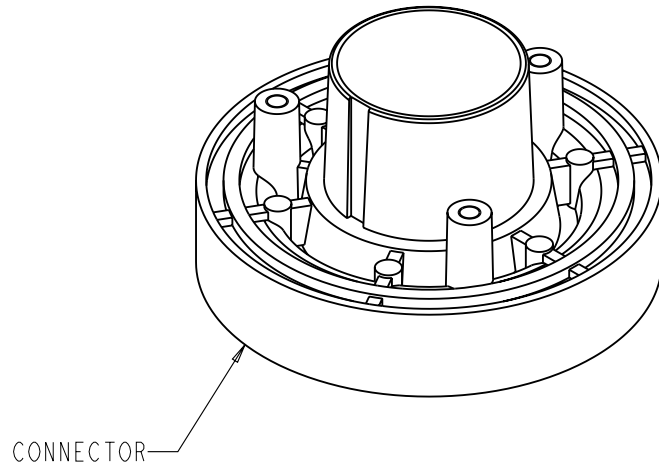
	ITEM#: CELL		MATERIAL: PA	
	FINISH:		WEIGHT: 2.80 g	
<p><b>PROPRIETARY AND CONFIDENTIAL</b></p> <p>THE INFORMATION CONTAINED IN THIS DRAWING IS THE SOLE PROPERTY OF HARDWARE RESOURCES INC. ANY REPRODUCTION IN PART OR AS A WHOLE WITHOUT THE WRITTEN PERMISSION OF HARDWARE RESOURCES INC. IS PROHIBITED.</p> <p>DO NOT SCALE DRAWING</p>	PROJECTION 		DATE:	
	TOLERANCE UNLESS OTHERWISE SPECIFIED:	UNITS: MM	DRAWN BY: <i>Alan Liu</i>	
	X ±0.20 X.X ±0.10 X.XX ±0.05 ANGULAR: ±0.5°	SIZE: A4	APPROVED BY:	
		SHEET:	RELEASE LEVEL:	REVISION:


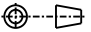


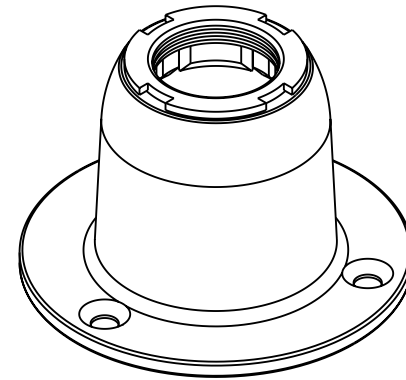
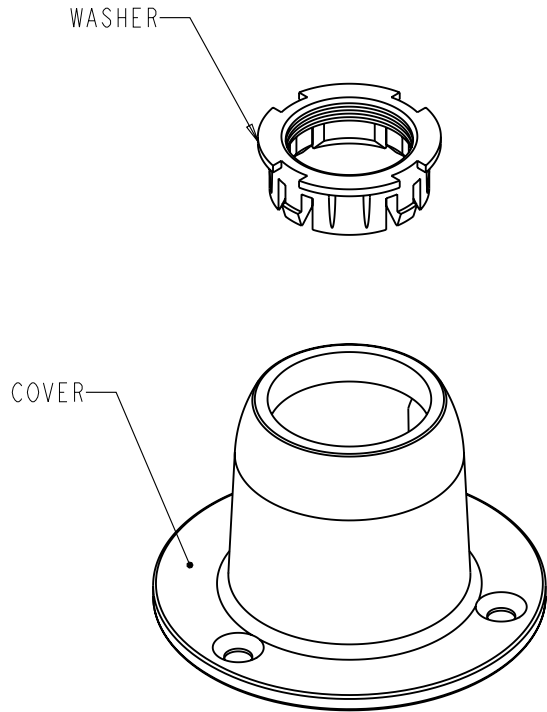
 <b>PROPRIETARY AND CONFIDENTIAL</b> THE INFORMATION CONTAINED IN THIS DRAWING IS THE SOLE PROPERTY OF HARDWARE RESOURCES INC. ANY REPRODUCTION IN PART OR AS A WHOLE WITHOUT THE WRITTEN PERMISSION OF HARDWARE RESOURCES INC. IS PROHIBITED. DO NOT SCALE DRAWING	ITEM#: <b>SHAFT</b>		MATERIAL: <b>ABS</b>		
	FINISH:		WEIGHT: <b>0.50 g</b>		
	TOLERANCE UNLESS OTHERWISE SPECIFIED: X $\pm 0.20$ X.X $\pm 0.10$ X.XX $\pm 0.05$ ANGULAR: $\pm 0.5^\circ$		UNITS: <b>MM</b>	DRAWN BY: <i>Alan Liu</i>	DATE:
	SIZE: <b>A4</b>		APPROVED BY:		DATE:
SHEET:		RELEASE LEVEL:		REVISION:	


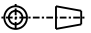


 <b>PROPRIETARY AND CONFIDENTIAL</b> THE INFORMATION CONTAINED IN THIS DRAWING IS THE SOLE PROPERTY OF HARDWARE RESOURCES INC. ANY REPRODUCTION IN PART OR AS A WHOLE WITHOUT THE WRITTEN PERMISSION OF HARDWARE RESOURCES INC. IS PROHIBITED.	ITEM:	WHEEL		MATERIAL:	ABS	
	FINISH:			WEIGHT:	1.30 g	
	TOLERANCE UNLESS OTHERWISE SPECIFIED:		UNITS:	DRAWN BY:	DATE:	
	X ±0.20 X.X ±0.10 X.XX ±0.05 ANGULAR: ±0.5°		MM	<i>Alan Liu</i>		
DO NOT SCALE DRAWING		SIZE:	A4	APPROVED BY:	DATE:	
		SHEET:		RELEASE LEVEL:	REVISION:	

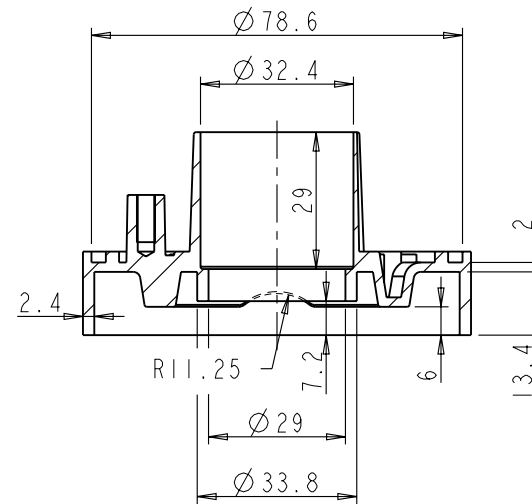
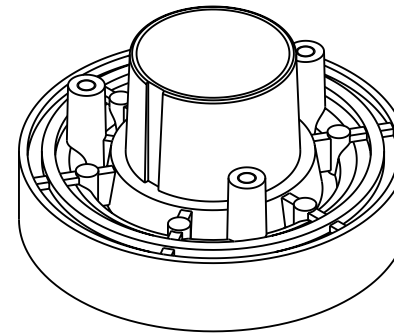
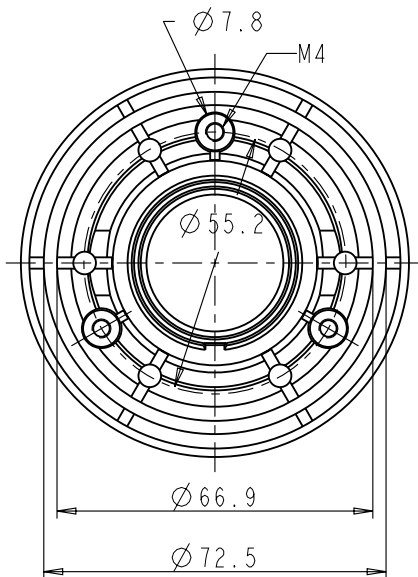
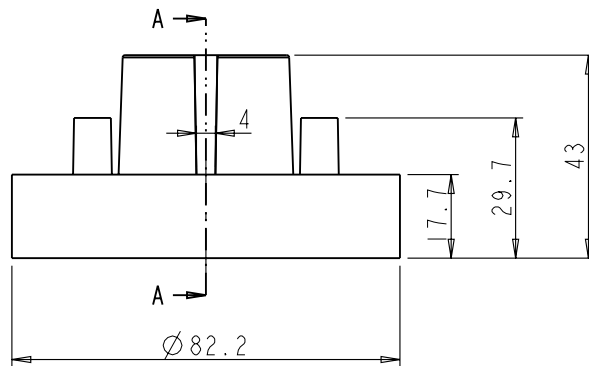
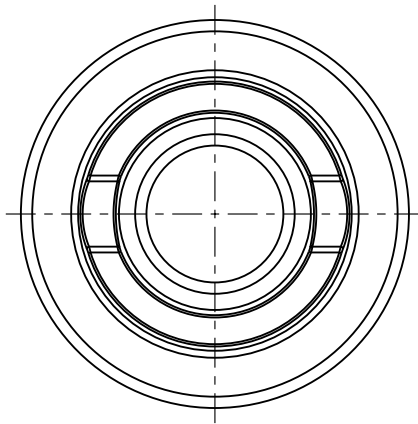


 <b>PROPRIETARY AND CONFIDENTIAL</b> THE INFORMATION CONTAINED IN THIS DRAWING IS THE SOLE PROPERTY OF HARDWARE RESOURCES INC. ANY REPRODUCTION IN PART OR AS A WHOLE WITHOUT THE WRITTEN PERMISSION OF HARDWARE RESOURCES INC. IS PROHIBITED.	ITEM#: SA-CONNECTOR	MATERIAL:
	FINISH:	WEIGHT: 9
	TOLERANCE UNLESS OTHERWISE SPECIFIED: X ±0.20 X.X ±0.10 X.XX ±0.05 ANGULAR: ±0.5°	PROJECTION 
	DO NOT SCALE DRAWING	
UNITS:	DRAWN BY: <i>Alan Liu</i>	DATE:
SIZE: A4	APPROVED BY:	DATE:
SHEET:	RELEASE LEVEL:	REVISION:



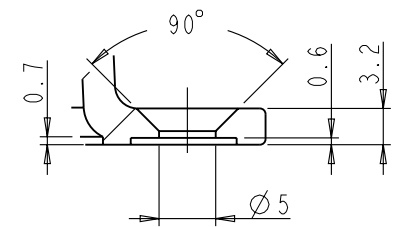
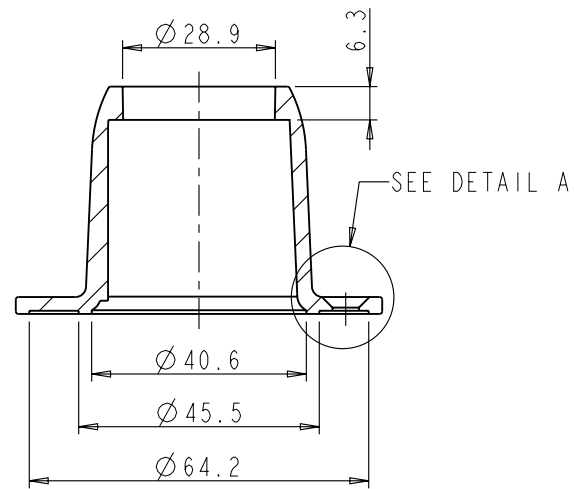
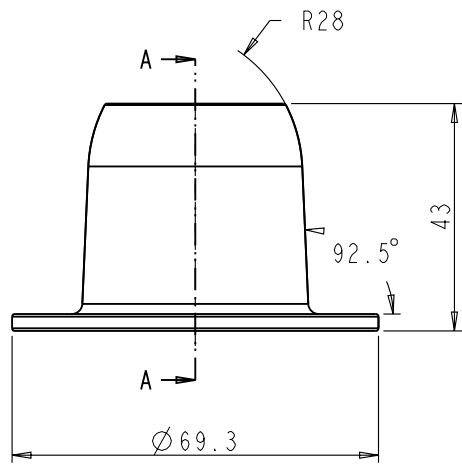
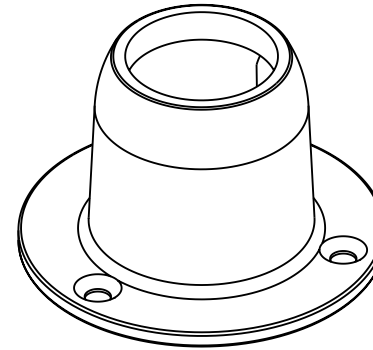
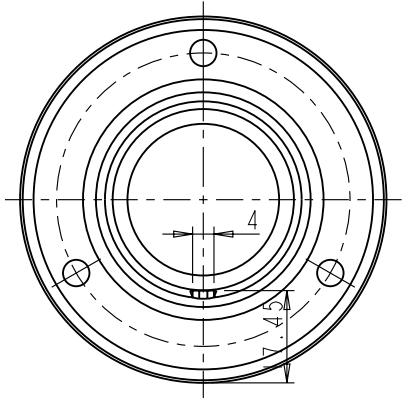
 <b>PROPRIETARY AND CONFIDENTIAL</b> THE INFORMATION CONTAINED IN THIS DRAWING IS THE SOLE PROPERTY OF HARDWARE RESOURCES INC. ANY REPRODUCTION IN PART OR AS A WHOLE WITHOUT THE WRITTEN PERMISSION OF HARDWARE RESOURCES INC. IS PROHIBITED.	ITEM#: SA-COVER	MATERIAL:
	FINISH:	WEIGHT: 9
	TOLERANCE UNLESS OTHERWISE SPECIFIED: I ±0.20 I.I ±0.10 I.IX ±0.05 ANGULAR: ±0.5°	PROJECTION 
	DO NOT SCALE DRAWING	
UNITS:	DRAWN BY: <i>Alan Liu</i>	DATE:
SIZE: A4	APPROVED BY:	DATE:
SHEET:	RELEASE LEVEL:	REVISION:



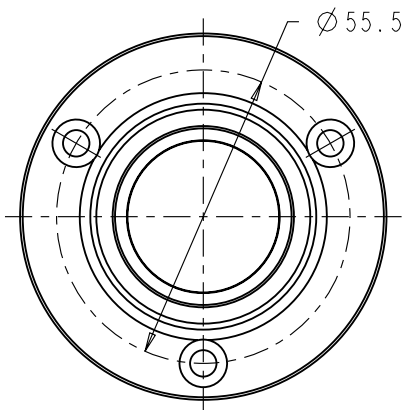


SECTION A-A

<p><b>hardware resources</b></p> <p>PROPRIETARY AND CONFIDENTIAL</p> <p>THE INFORMATION CONTAINED IN THIS DRAWING IS THE SOLE PROPERTY OF HARDWARE RESOURCES INC. ANY REPRODUCTION IN PART OR AS A WHOLE WITHOUT THE WRITTEN PERMISSION OF HARDWARE RESOURCES INC. IS PROHIBITED.</p> <p>DO NOT SCALE DRAWING</p>	ITEM:	CONNECTOR		MATERIAL:	ZINC
	FINISH:			WEIGHT:	236.00 g
	TOLERANCE UNLESS OTHERWISE SPECIFIED:	UNITS:	DRAWN BY:	DATE:	
	X ±0.20 X.X ±0.10 X.XX ±0.05 ANGULAR: ±0.5°	MM	<i>Alan Liu</i>		
	SIZE:	A4	APPROVED BY:	DATE:	
	SHEET:		RELEASE LEVEL:	REVISION:	

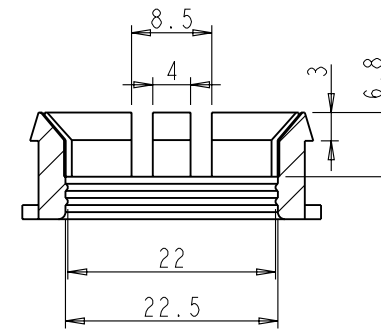
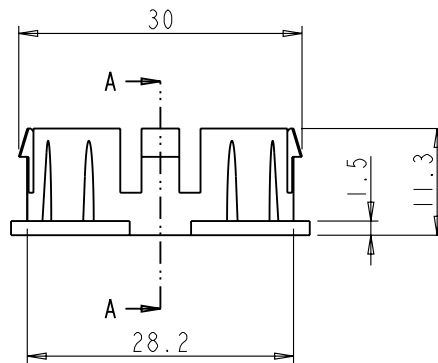
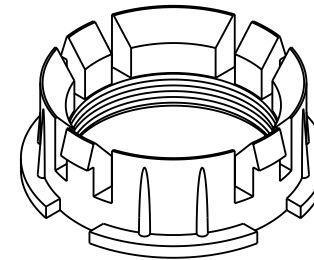
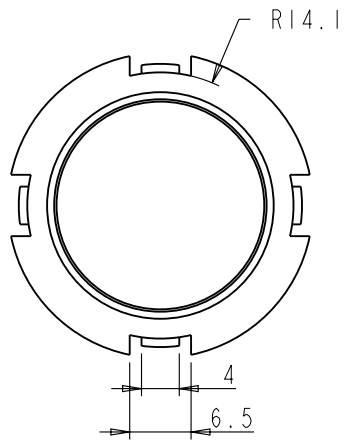


DETAIL A  
SCALE 3:2

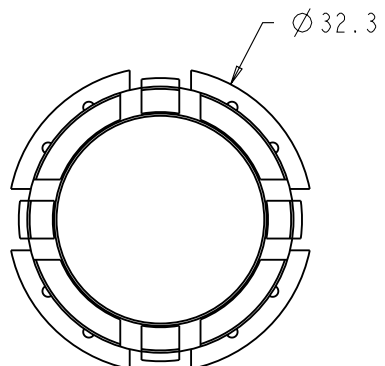


SECTION A-A

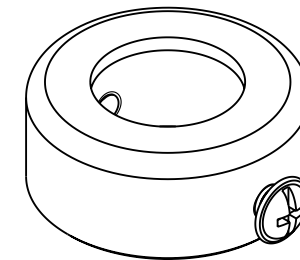
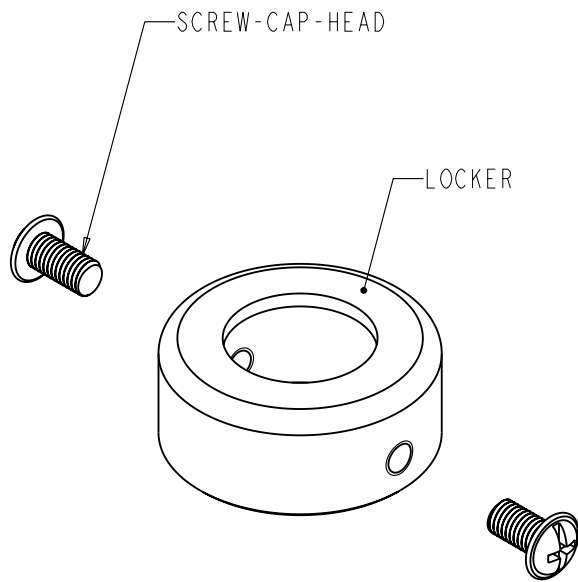
<p><b>PROPRIETARY AND CONFIDENTIAL</b></p> <p>THE INFORMATION CONTAINED IN THIS DRAWING IS THE SOLE PROPERTY OF HARDWARE RESOURCES INC. ANY REPRODUCTION IN PART OR AS A WHOLE WITHOUT THE WRITTEN PERMISSION OF HARDWARE RESOURCES INC. IS PROHIBITED.</p> <p>DO NOT SCALE DRAWING</p>	ITEM:	COVER		MATERIAL:	ZINC
	FINISH:			WEIGHT:	136.50 g
	TOLERANCE UNLESS OTHERWISE SPECIFIED:	UNITS:	DRAWN BY:	DATE:	
	X ±0.20 X.X ±0.10 X.XX ±0.05 ANGULAR: ±0.5°	MM	<i>Alan Liu</i>		
	SIZE:	A4	APPROVED BY:	DATE:	
	SHEET:		RELEASE LEVEL:	REVISION:	




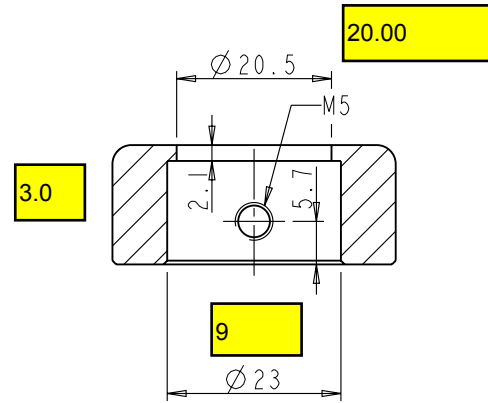
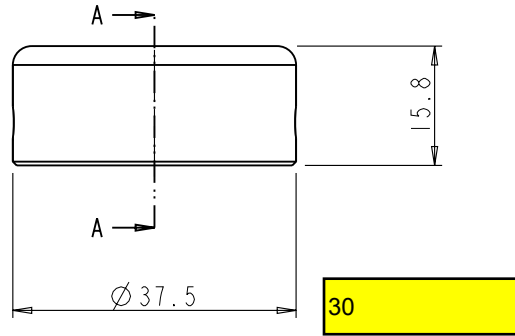
SECTION A-A



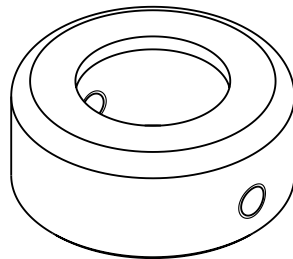
<b>hardware resources</b> PROPRIETARY AND CONFIDENTIAL THE INFORMATION CONTAINED IN THIS DRAWING IS THE SOLE PROPERTY OF HARDWARE RESOURCES INC. ANY REPRODUCTION IN PART OR AS A WHOLE WITHOUT THE WRITTEN PERMISSION OF HARDWARE RESOURCES INC. IS PROHIBITED.	ITEM:	WASHER		MATERIAL:	PA
	FINISH:			WEIGHT:	2.90 g
	TOLERANCE UNLESS OTHERWISE SPECIFIED:	UNITS:	MM	DRAWN BY:	<i>Alan Liu</i>
	SIZE:	A4	APPROVED BY:	DATE:	
DO NOT SCALE DRAWING	PROJECTION:	RELEASE LEVEL:	REVISION:		



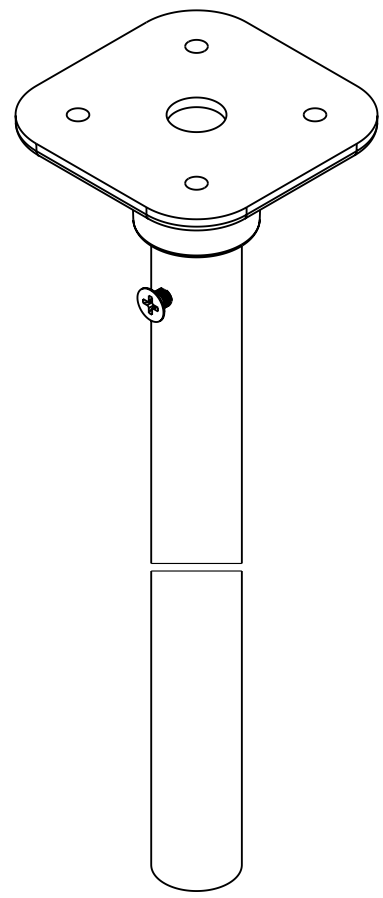
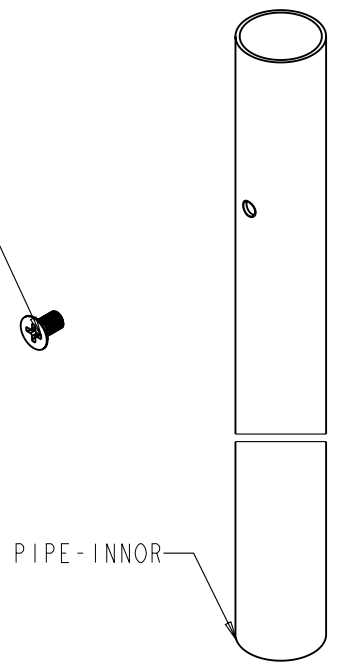
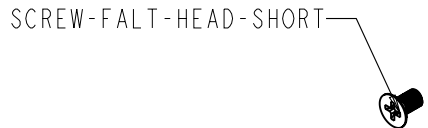
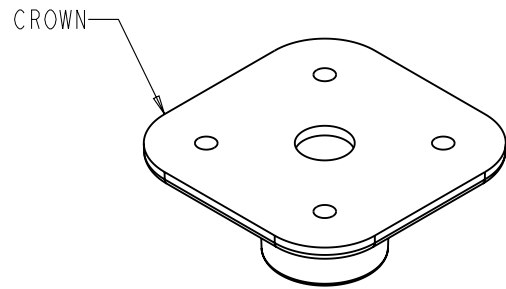
 <b>PROPRIETARY AND CONFIDENTIAL</b> THE INFORMATION CONTAINED IN THIS DRAWING IS THE SOLE PROPERTY OF HARDWARE RESOURCES INC. ANY REPRODUCTION IN PART OR AS A WHOLE WITHOUT THE WRITTEN PERMISSION OF HARDWARE RESOURCES INC. IS PROHIBITED. DO NOT SCALE DRAWING	ITEM#: SA-LOCKER		MATERIAL:		
	FINISH:		WEIGHT: 9		
	TOLERANCE UNLESS OTHERWISE SPECIFIED: X ±0.20 X.X ±0.10 X.XX ±0.05 ANGULAR: ±0.5°		UNITS:	DRAWN BY: <i>Alan Liu</i>	DATE:
	SIZE: A4		APPROVED BY:	DATE:	
SHEET:		RELEASE LEVEL:	REVISION:		


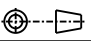


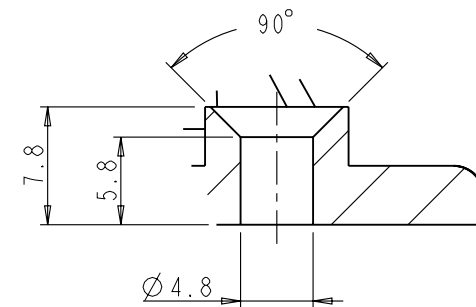
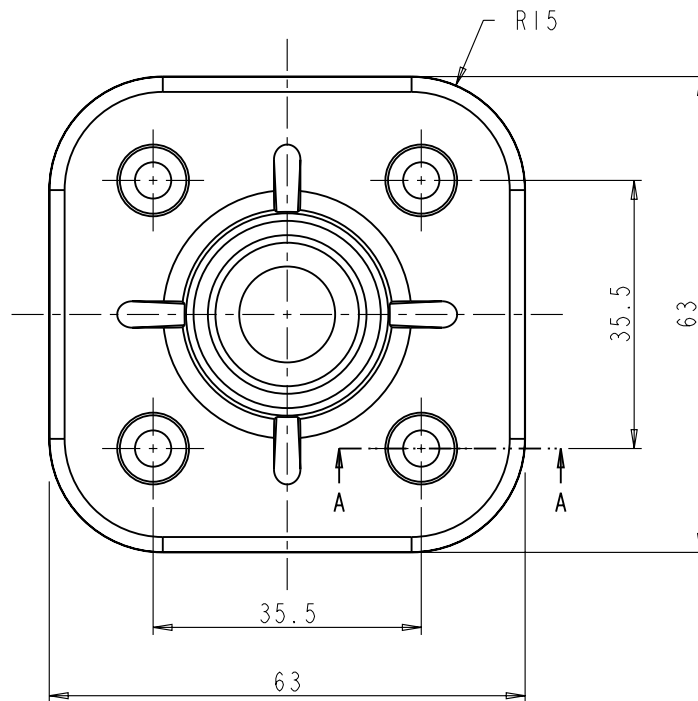
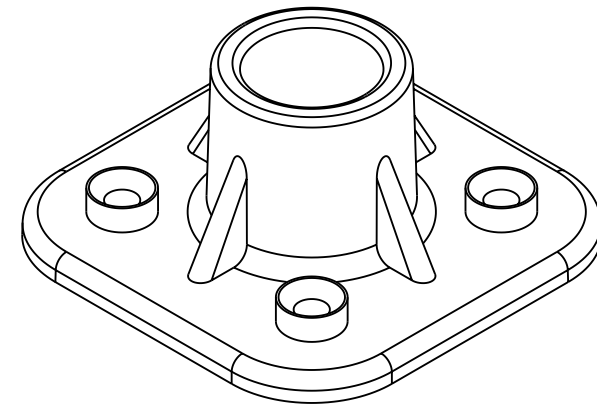
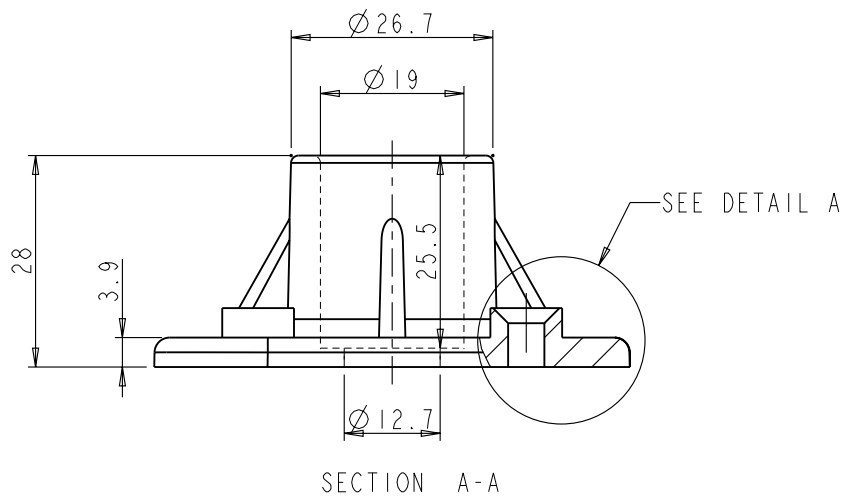
SECTION A-A



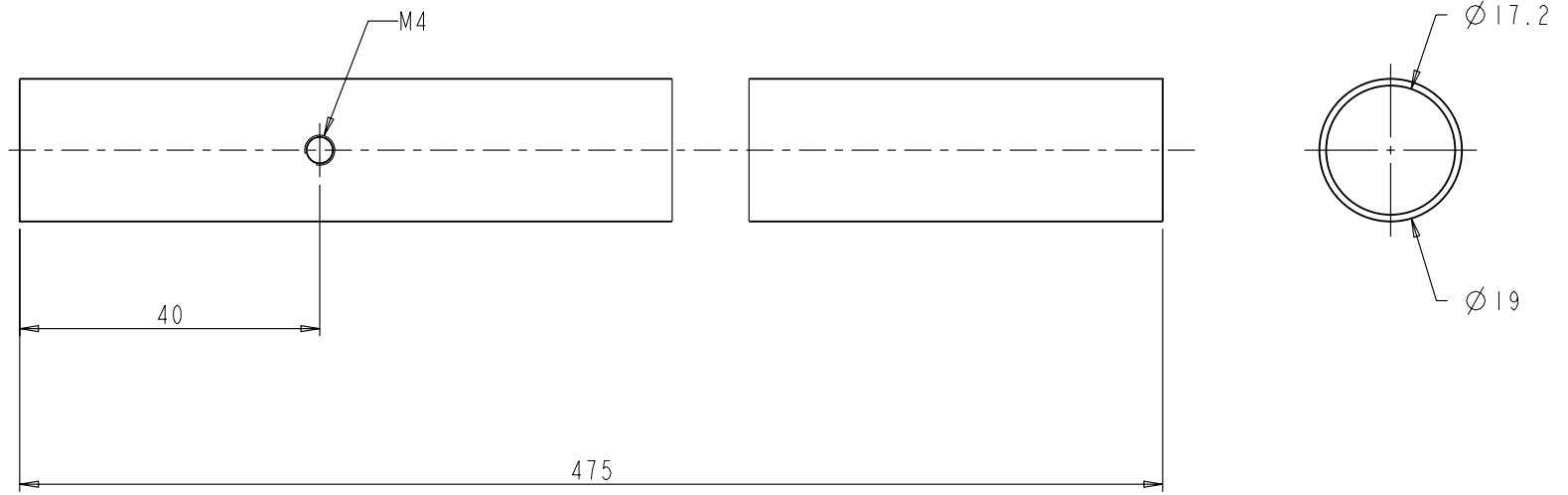
	ITEM#: LOCKER		MATERIAL: STEEL		
	FINISH:		WEIGHT: 83.00 g		
<p><b>PROPRIETARY AND CONFIDENTIAL</b></p> <p>THE INFORMATION CONTAINED IN THIS DRAWING IS THE SOLE PROPERTY OF HARDWARE RESOURCES INC. ANY REPRODUCTION IN PART OR AS A WHOLE WITHOUT THE WRITTEN PERMISSION OF HARDWARE RESOURCES INC. IS PROHIBITED.</p> <p>DO NOT SCALE DRAWING</p>	TOLERANCE UNLESS OTHERWISE SPECIFIED:		UNITS: MM		
	X ±0.20		DRAWN BY: <i>Alan Liu</i>		
	X.X ±0.10		APPROVED BY:		
	X.XX ±0.05		DATE:		
ANGULAR: ±0.5°		SIZE: A4		DATE:	
PROJECTION		SHEET:		REVISION:	
		RELEASE LEVEL:			



 <b>PROPRIETARY AND CONFIDENTIAL</b> THE INFORMATION CONTAINED IN THIS DRAWING IS THE SOLE PROPERTY OF HARDWARE RESOURCES INC. ANY REPRODUCTION IN PART OR AS A WHOLE WITHOUT THE WRITTEN PERMISSION OF HARDWARE RESOURCES INC. IS PROHIBITED. DO NOT SCALE DRAWING	ITEM#: SA - INNER-PIPE	MATERIAL:
	FINISH:	WEIGHT: 9
	TOLERANCE UNLESS OTHERWISE SPECIFIED: X ±0.20 X.X ±0.10 X.XX ±0.05 ANGULAR: ±0.5°	PROJECTION 
	UNITS:	DRAWN BY: <i>Alan Liu</i>
SIZE: A4	APPROVED BY:	DATE:
SHEET:	RELEASE LEVEL:	REVISION:

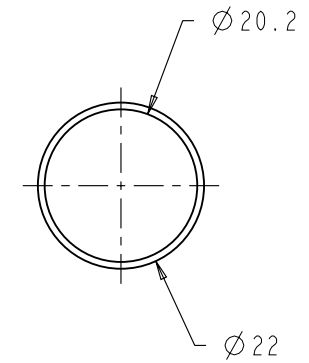
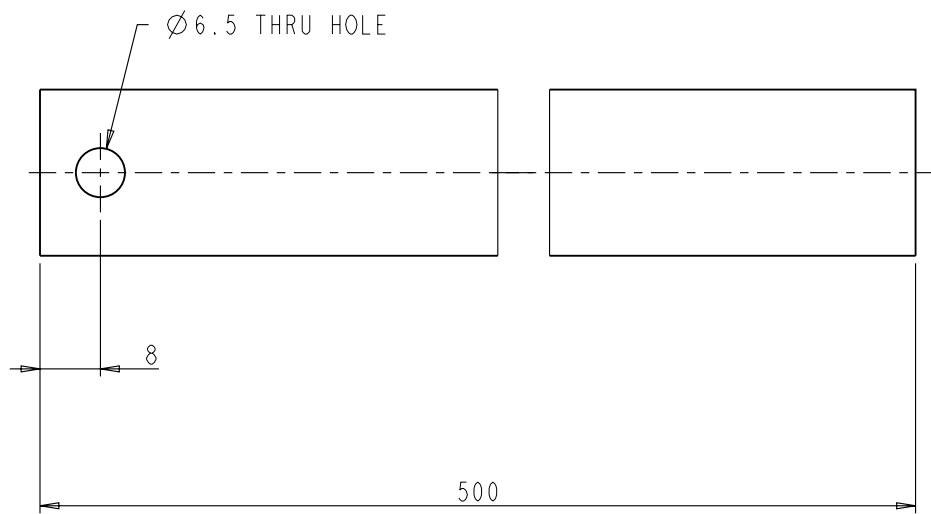



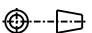
	ITEM:	CROWN		MATERIAL:	ABS
	FINISH:			WEIGHT:	23.30 g
<p><b>PROPRIETARY AND CONFIDENTIAL</b></p> <p>THE INFORMATION CONTAINED IN THIS DRAWING IS THE SOLE PROPERTY OF HARDWARE RESOURCES INC. ANY REPRODUCTION IN PART OR AS A WHOLE WITHOUT THE WRITTEN PERMISSION OF HARDWARE RESOURCES INC. IS PROHIBITED.</p>	TOLERANCE UNLESS OTHERWISE SPECIFIED:	UNITS:	DRAWN BY:	DATE:	
	X ±0.20	MM	<i>Alan Liu</i>		
	X.X ±0.10	SIZE:	APPROVED BY:	DATE:	
	X.XX ±0.05	A4			
ANGULAR: ±0.5°	SHEET:	RELEASE LEVEL:	REVISION:		
DO NOT SCALE DRAWING					

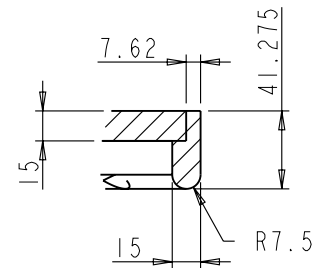
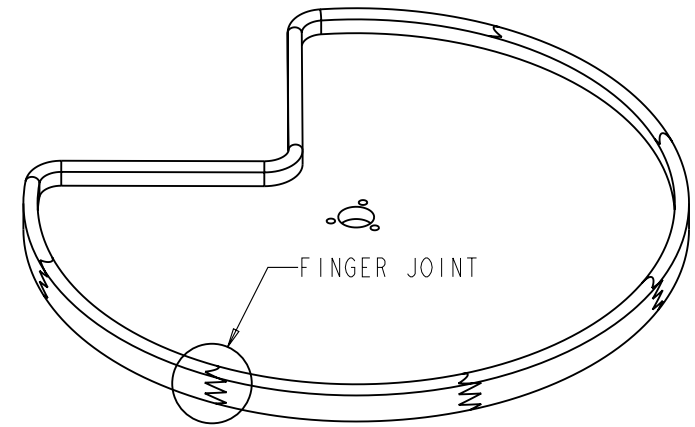
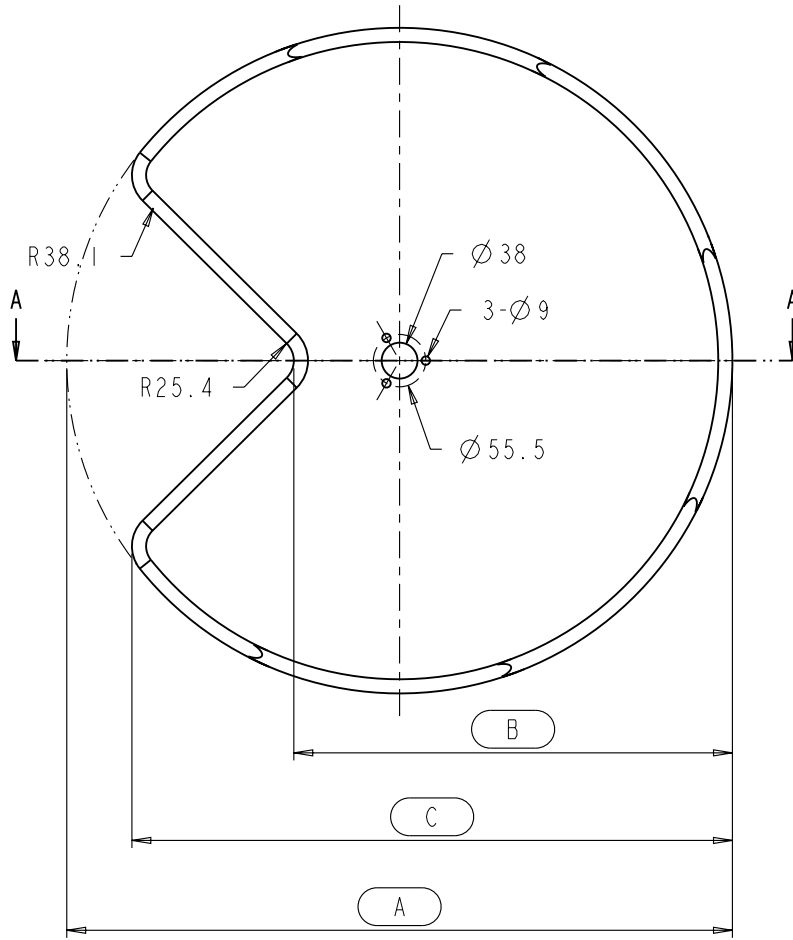


	ITEM#: PIPE - INNOR		MATERIAL: STEEL		
	FINISH:		WEIGHT: 189.54 g		
	TOLERANCE UNLESS OTHERWISE SPECIFIED: I $\pm 0.20$ X.I $\pm 0.10$ X.IX $\pm 0.05$ ANGULAR: $\pm 0.5^\circ$		UNITS: MM	DRAWN BY: <i>Alan Liu</i>	DATE:
	DO NOT SCALE DRAWING		SIZE: A4	APPROVED BY:	DATE:
PROPRIETARY AND CONFIDENTIAL THE INFORMATION CONTAINED IN THIS DRAWING IS THE SOLE PROPERTY OF HARDWARE RESOURCES INC. ANY REPRODUCTION IN PART OR AS A WHOLE WITHOUT THE WRITTEN PERMISSION OF HARDWARE RESOURCES INC. IS PROHIBITED.		PROJECTION		REVISION:	





	ITEM#: PIPE-OUTER		MATERIAL: STEEL	
	FINISH:		WEIGHT: 232.20 g	
<p><b>PROPRIETARY AND CONFIDENTIAL</b></p> <p>THE INFORMATION CONTAINED IN THIS DRAWING IS THE SOLE PROPERTY OF HARDWARE RESOURCES INC. ANY REPRODUCTION IN PART OR AS A WHOLE WITHOUT THE WRITTEN PERMISSION OF HARDWARE RESOURCES INC. IS PROHIBITED.</p> <p>DO NOT SCALE DRAWING</p>	PROJECTION 		DATE:	
	TOLERANCE UNLESS OTHERWISE SPECIFIED:	UNITS: MM	DRAWN BY: <i>Alan Liu</i>	DATE:
	X ±0.20 X.X ±0.10 X.XX ±0.05 ANGULAR: ±0.5°	SIZE: A4	APPROVED BY:	DATE:
		SHEET:	RELEASE LEVEL:	REVISION:

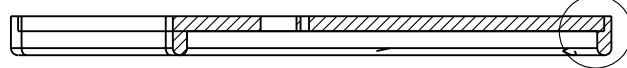


DETAIL A  
SCALE 1:4

Spec Sheet:

ITEM NO.	A (MM)	B (MM)	C (MM)
LSK24	608	374	532.5
LSK28	705	464.5	636
LSK32	806.5	557.2	740.5

SEE DETAIL A



SECTION A-A

<p><b>PROPRIETARY AND CONFIDENTIAL</b></p> <p>THE INFORMATION CONTAINED IN THIS DRAWING IS THE SOLE PROPERTY OF HARDWARE RESOURCES INC. ANY REPRODUCTION IN PART OR AS A WHOLE WITHOUT THE WRITTEN PERMISSION OF HARDWARE RESOURCES INC. IS PROHIBITED.</p>	ITEM: LSK		MATERIAL: PLY WOOD		
	FINISH:		WEIGHT:		
	TOLERANCE UNLESS OTHERWISE SPECIFIED: X ±0.20 X.X ±0.10 X.XX ±0.05 ANGULAR: ±0.5°		UNITS: MM	DRAWN BY: <i>Alan Liu</i>	DATE:
	DO NOT SCALE DRAWING		SIZE: A4	APPROVED BY:	DATE:
		SHEET:	RELEASE LEVEL:	REVISION:	