

# Metal Drawer Box

## Installation Instructions for the MDB500-185-xxx

### IMPORTANT:

Before you begin, make sure you familiarize yourself with all the parts and fully read the instructions.

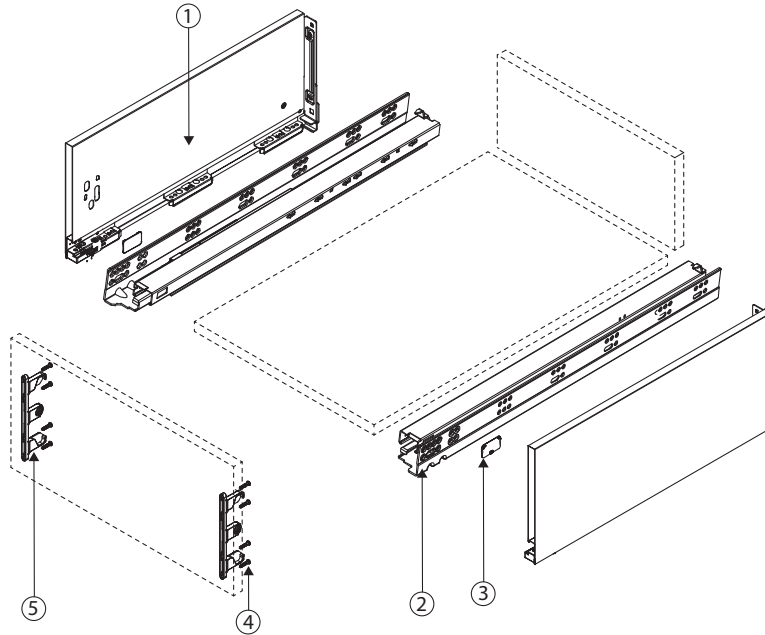
### CUSTOMER SERVICE:

Toll-free customer help line available weekdays between 7:00am and 6:00pm Central Time at 800-463-0660.

### TOOLS NECESSARY:

Screw gun or Phillips screwdriver and tape measure. NOTE: If screw gun has a clutch, set to lowest setting so as not to over tighten and/or strip screws.

### PARTS IDENTIFICATION:

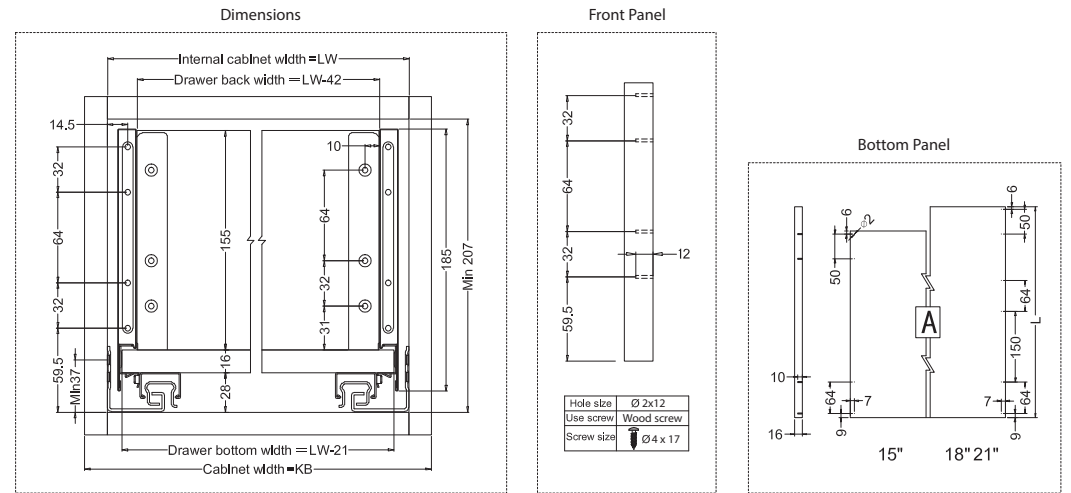


1	Drawer profiles: (L/R)	2X
2	Cabinet profiles: (L/R)	2X
3	Side cover plate	2X
4	Front fixing-bracket screws (4 x 17)	8X
5	Front fixing-bracket	2X

### Part Dimensions

Item No.	Nominal length	Internal drawer length	Min. installation length of drawer
MDB500-185-15GR	381 mm	364 mm	399 mm
MDB500-185-18GR	457 mm	440 mm	475 mm
MDB500-185-21GR	533 mm	516 mm	551 mm

### Step 1 - Installation Dimensions

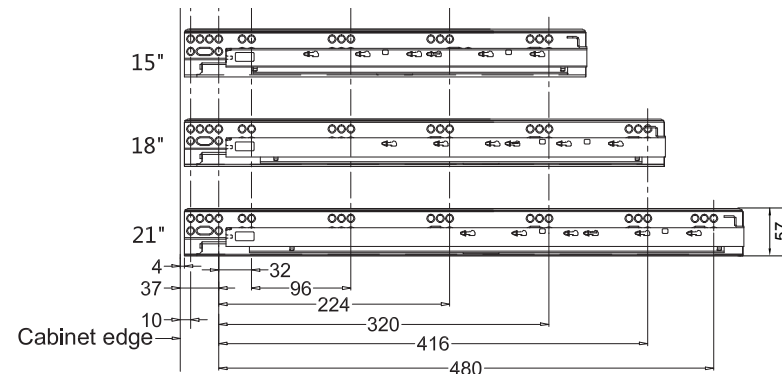


KB - Cabinet width  
LW - Internal cabinet width  
NL - Nominal length

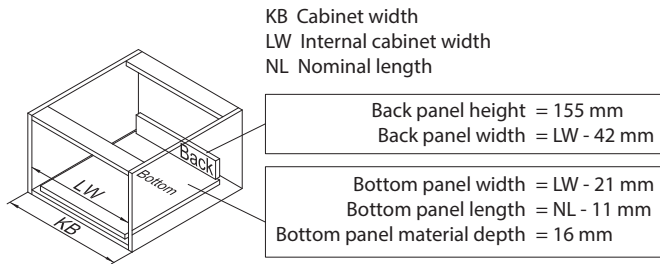
Back panel height = 155 mm  
Back panel width = LW - 42 mm

Bottom panel width = LW - 21 mm  
Bottom panel length = NL - 11 mm  
Bottom panel material depth = 16 mm

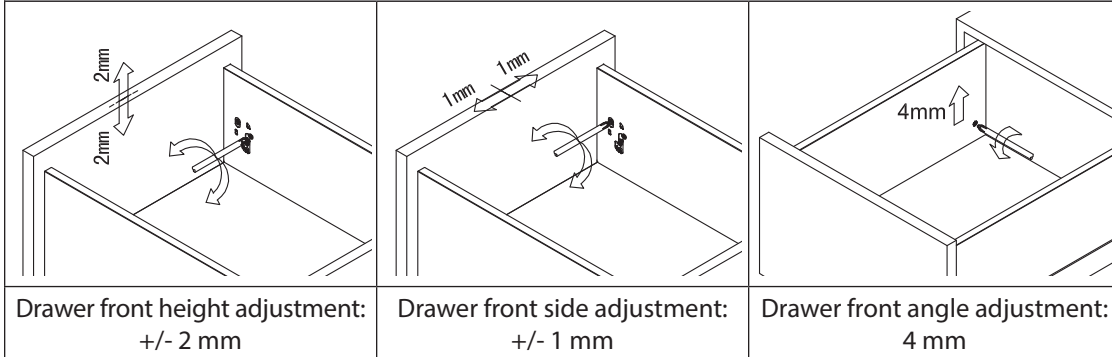
### Step 2 - Slide Installation



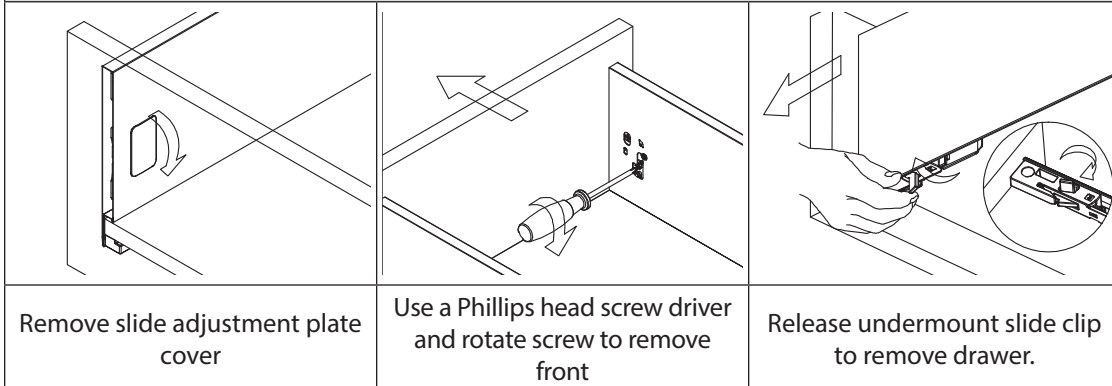
### Step 3 - Bottom & Back Panel Measurements



### Step 5 - Drawer Adjustment



### Step 6 - Drawer Removal



### Step 4 - Drawer Assembly

