

ADA Revive Collection

Topmount Single Bowl Model TADA-1722ST



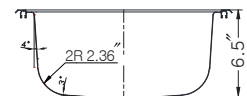
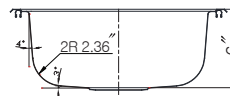
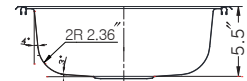
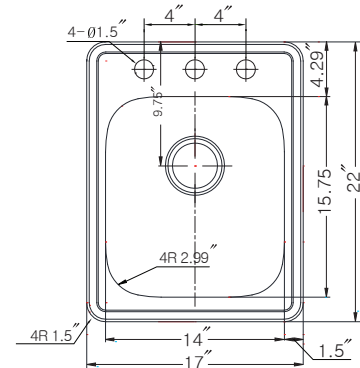
TADA-1722ST

FEATURES

- Premium grade T-304 stainless steel
- 5", 5.5", 6", 6.5" depth
- 18 gauge • 3 holes
- StoneShield undercoating over Sound Deadening pad
- Lustrous satin with highlighted rim
- Fits 21" sink base
- 3-1/2" drain opening
- Supplied with cutout template, fasteners and instructions
- Complies with ASME A112.19.3-2008, cUPC®
- Lifetime Limited Warranty



ASME A112.19.3-2008



OPTIONAL ACCESSORIES

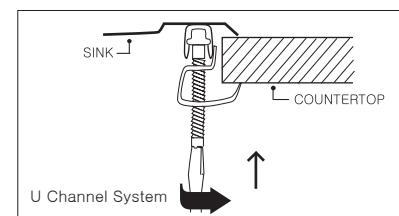
Cutting Board : CUT-1417

Strainer: BAS-2000-SS

OVERALL DIMENSIONS	EACH BOWL	CUTOUT SIZE	PACKAGING*	WEIGHT*
17" x 22"	14" x 15.75"	See Template	1/16/40 pcs.	10/200/340 lbs.

*Standard packaging: Single boxed /Pallet of single boxed/Pallet of bulk pack.
All dimensions are in inches. Specifications subject to change without notice.

Installation profile



Project/Job name _____

Architect/Engineer _____

Contractor _____

Model _____ Q'ty _____

Notes _____