

SHOWER
Bali M-Series Stop/Volume Control
Valve Trim with Handle
G-8034-LM20E1-T

GRAFF®



Information

- Single metal handle and decorative trim plate
- Use with G-8076 Stop/Volume Control rough valve with Pass- Through or G-8077 Stop/Volume Control rough valve
- ADA

Finishes



24K Gold



24K Brushed
Gold



Olive Bronze



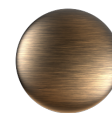
Polished
Chrome



Polished
Nickel



Steelnox®
(Satin Nickel)



Vintage
Brushed Brass

G-8034-LM20E1-T

Bali Collection

M-Series Stop/Volume Control Valve Trim with Handle

GRAFF®



Product Features

- Single metal handle and decorative trim plate
- Use with G-8076 Stop/Volume Control rough valve with Pass-Through or G-8077 Stop/Volume Control rough valve

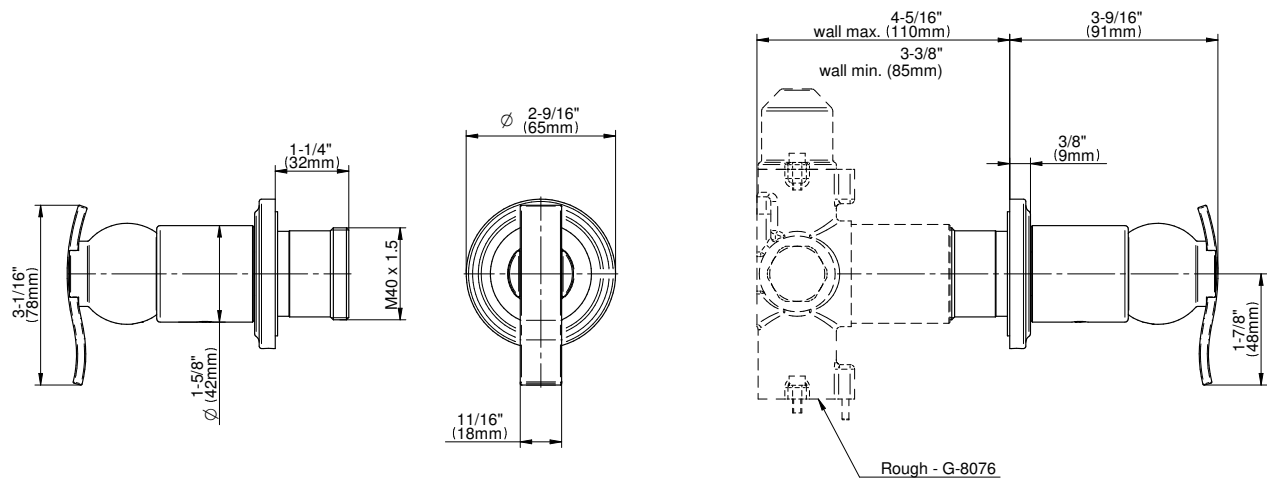
Available Finishes

- Polished Chrome
G-8034-LM20E1-PC-T
- Steelnox
G-8034-LM20E1-SN-T
- Polished Nickel
G-8034-LM20E1-PN-T
- Olive Bronze
G-8034-LM20E1-OB-T

Warranty

- Limited lifetime warranty

For complete warranty information go to <https://www.graff-faucets.com/en/info/faqs>



The measurements shown are for reference only. Products and specifications shown are subject to change without notice. Revised 10/2018.

www.graff-designs.com | phone: 800-954-4723