

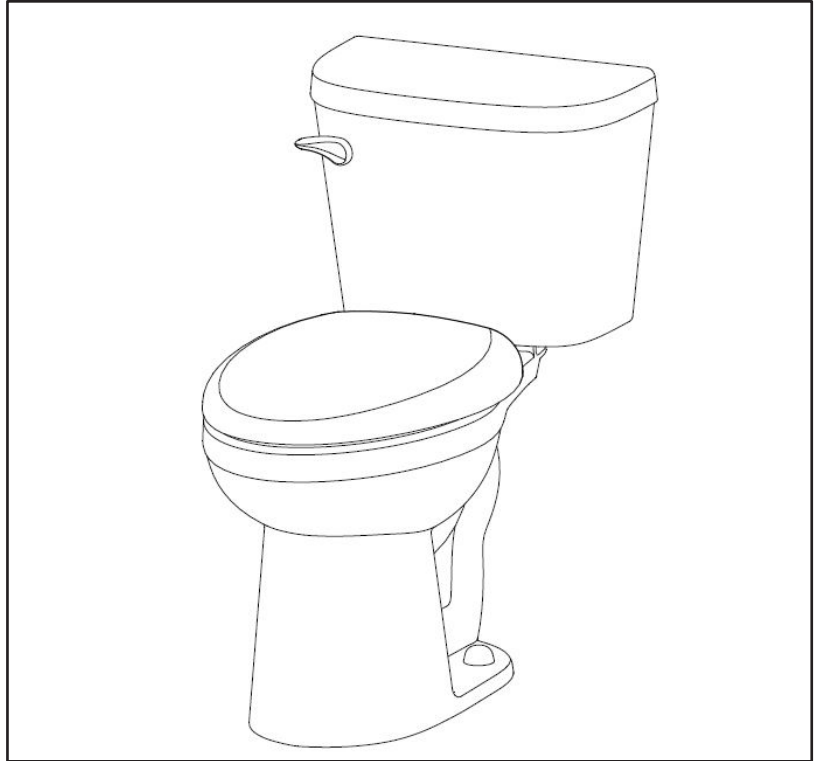
## MAXWELL® 1.28

14" Rough-in

### ErgoHeight™ 17" High Elongated Toilet

#### Features:

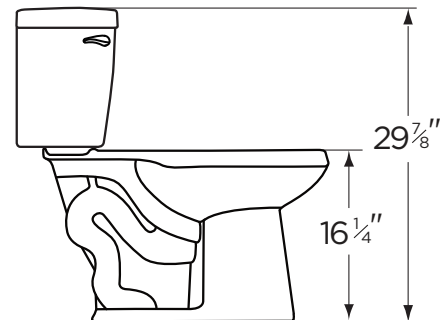
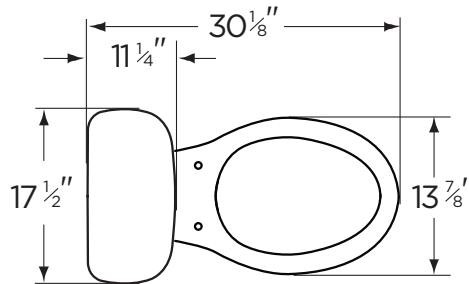
- 1.28 gpf/4.8 Lpf high efficiency two-piece toilet
- Elongated ErgoHeight™ bowl
- Dual-fed siphon jet
- Pilot fill valve
- 3" flush valve
- 2" glazed trapway
- Color matched front tank lever
- Available in White
- 2 bolt caps
- ADA Compliant
- Seat not included



#### Dimensions:

- Height ..... 29 7/8"
- Width ..... 17 1/2"
- Depth ..... 30 1/8"
- Rough-in ..... 14"
- Water Surface from Rim ..... 5 7/8"
- Trapway ..... 2"
- Water Surface ..... 10" x 7 1/4"
- Water Seal ..... 2 1/4"
- Shipping Weight ..... 76 lbs

**Specifications:** Bowl—#MX-21-928 Elongated Bowl Tank—#28-994



THIS FIXTURE QUALIFIES ACCORDING TO ASME TEST PROCEDURES AS A HIGH-EFFICIENCY WATER CLOSET WITH AN AVERAGE CONSUMPTION OF 1.28 gpf (4.8 Lpf) OR LESS.

Job Name	
Date	
Model Specified	
Quantity	
Customer	
Contractor	
Architect/engineer	



[www.gerberonline.com](http://www.gerberonline.com)

