

10" Rough-in

### Features:

#### □ WS-21-110

- Vitreous China
- 14-3/8" height elongated bowl
- 1.28 gpf/4.8lpf HET High Efficiency Toilet
- 10" rough-in  
Dual-fed siphon jet
- Color matched front tank lever
- 2" Fully Glazed trapway for effective cleaning (white only)
- 2" flush valve
- Double nut mounting system
- 2 bolt caps
- Toilet seat not included



### Technical Information:

#### Included Components:

- Combination      WS-21-110
- Bowl                SE-21-162
- Tank                 WS-28-175

### Fixtures:

Configuration	Two-piece, elongated
Water per Flush	1.28 gpf (4.8 lpf)
Rough-In	10"
Height	28 9/16"
Width	17 3/16"
Depth	27 1/16"
Trapway	1 3/4"
Large Water Surface	9 5/8" x 7 5/8"
Shipping Weight	71 lbs

### Accessories:

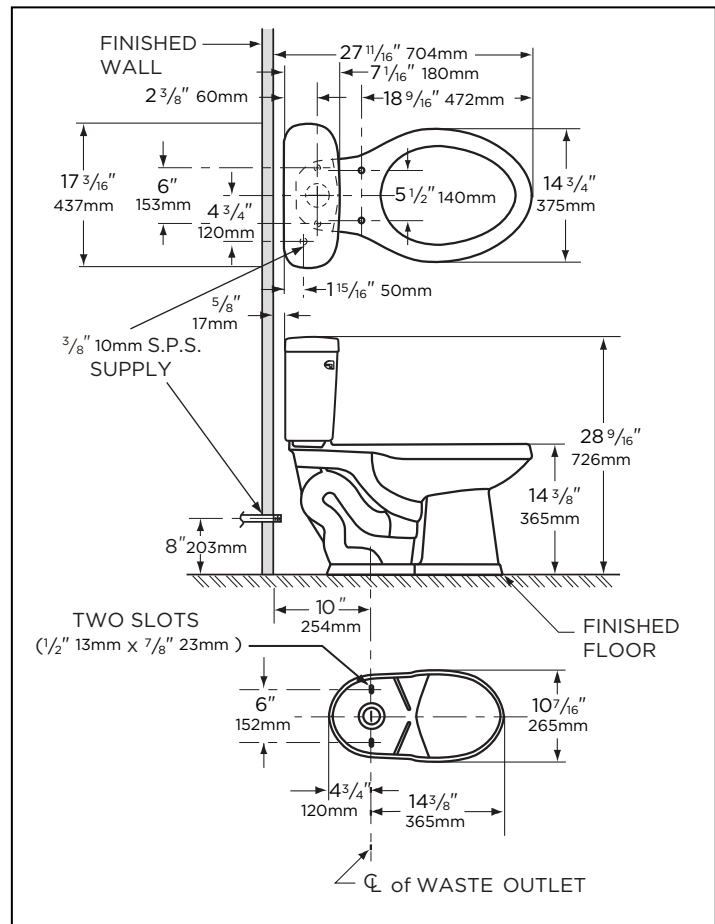
Soft Close Toilet Seat	99-213
------------------------	--------

### Colors:

- White
- Biscuit

### Warranty:

- 1 Year Manufacturers Warranty



NOTES: All dimensions are in inches. Illustrations may not be drawn to scale.

#### IMPORTANT:

Dimensions of fixtures are nominal and may vary within the range of tolerances established by ASME standard A 112.19.2 THIS FIXTURE QUALIFIES ACCORDING TO ASME TEST PROCEDURES AS A HIGH EFFICIENCY WATER CLOSET WITH AN AVERAGE CONSUMPTION OF 1.28 gpf (4.8 Lpf) OR LESS.