

Tub and Shower Faucet Rough-In Valve Assembly

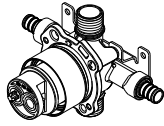
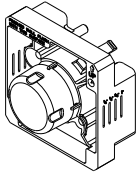
SPECIFICATIONS

Use with trim kits for:

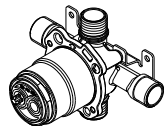
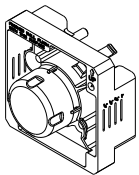


Features/Benefits

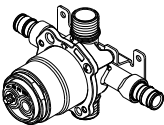
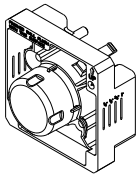
- Includes forged valve body, plaster guard and innovative pressure test cap
- Connection Type:
GS-504: 1/2" F1807 (crimp) PEX inlets, 1/2" IPS/sweat outlets
GS-505: 1/2" IPS/sweat inlets, 1/2" IPS/sweat outlets
GS-507: 1/2" F1960 (cold expansion) PEX inlets, 1/2" IPS/sweat outlets
- Installed rough-in can be pressure tested to 150PSI (air or water), mixed or isolated inlets, using included pressure test plug
- Accommodates standard, back-to-back, and thin wall installations
- Integrated, easy-access mounting system
- Treysta cartridge ships with trim, sold separately



GS-504
(G00GS504)



GS-505
(G00GS505)

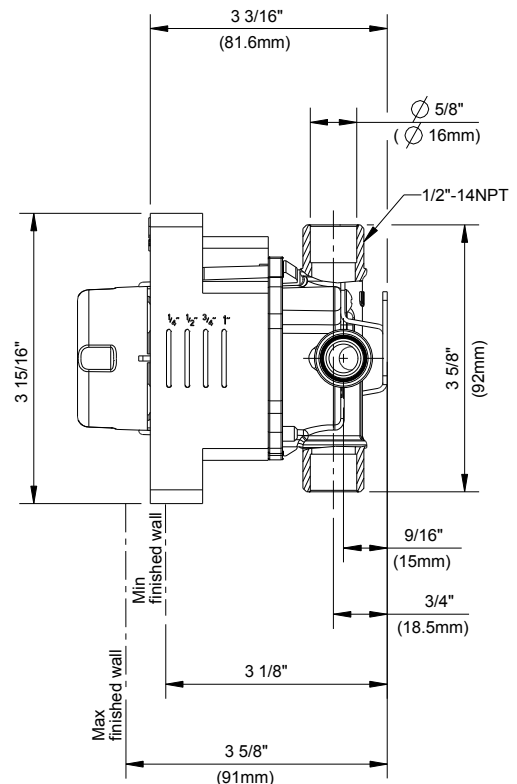
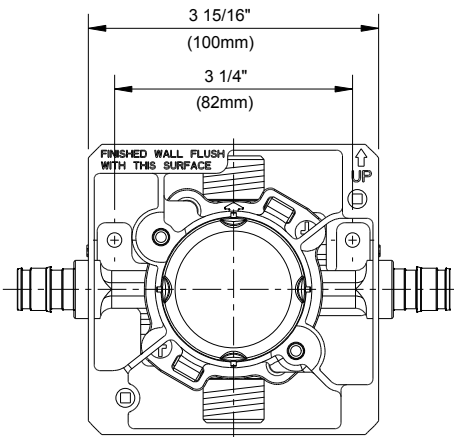


GS-507
(G00GS507)

Catalog Numbers

- GS-504 (G00GS504) F1807 inlets w/o stops
- GS-505 (G00GS505) IPS/sweat inlets w/o stops
- GS-507 (G00GS507) F1960 inlets w/o stops

Standards & Certifications



Submittal Information:

Name: _____
Location: _____

Contractor: _____
Contact #: _____