




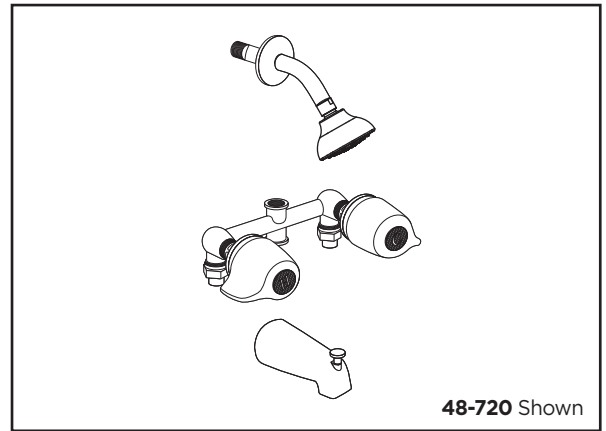
GERBER

48-720 Series Gerber Classics Two Handle Tub & Shower Fittings



Features:

- Compression stems
- Body cast of high copper content brass
- Exposed parts have heavy chrome plated finish
- Working parts can be easily replaced
- Single function showerhead 49-107 at max. 2.0GPM (7.6LPM) WaterSense listed 
- 1/2" I.P.S. or Sweat water inlet connections
- 8" centers with threaded escutcheons
- ADA compliant metal handles operate with less than 5 lbs. force
- Zinc die cast spout with internal diverter (ejector tee)



Standards & Certifications:

- ANSI/ASME A112.18.1M
- ANSI A117.1 (ADA)
- IAPMO/cUPC

Catalog Numbers:

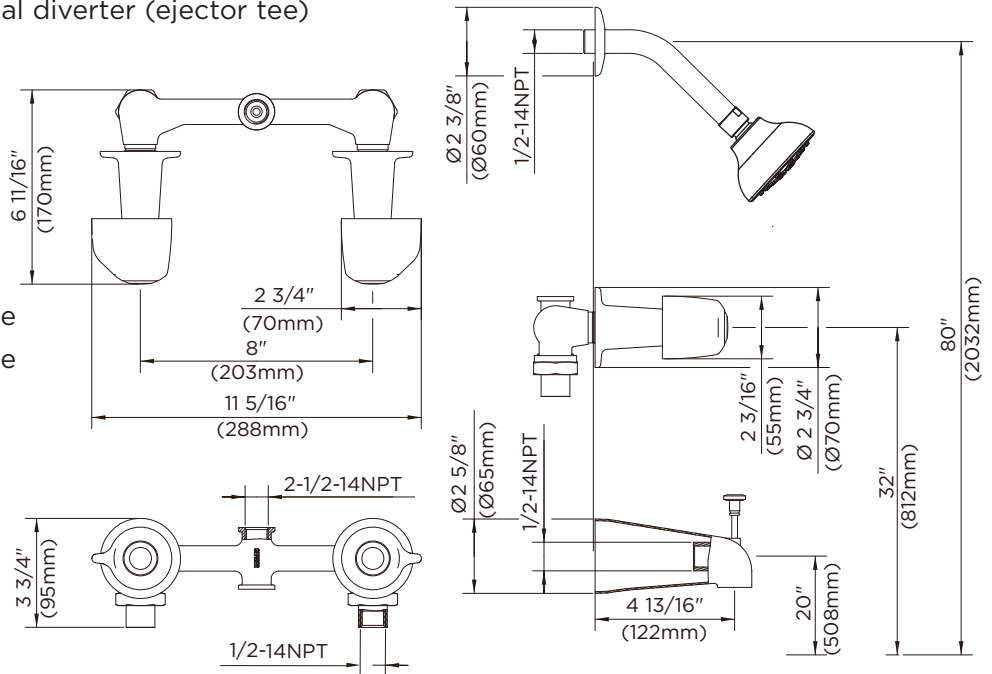
- 48-720** IPS/Sweat Chrome
- 07-48-720** IPS/Sweat Chrome
- 48-721** Sweat Chrome
- 07-48-721** Sweat Chrome

Prefixes Available:

07- Metal Fluted Handles

Suffixes Available:

None



Job Name	
Date	
Model Specified	
Quantity	
Customer	
Contractor	
Architect/engineer	

Gerber Toll Free Technical Support: 888-648-6466
www.gerberonline.com