



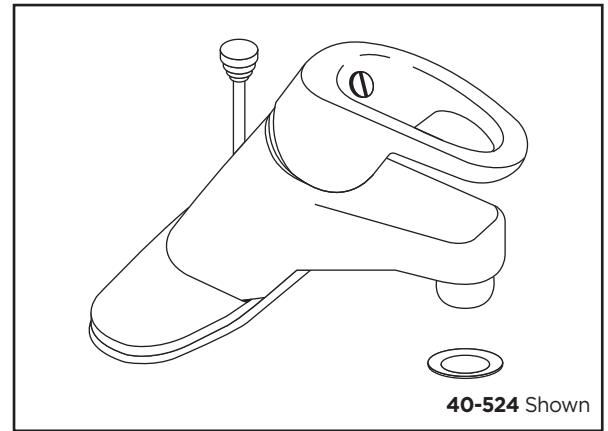
GERBER

40-500 Series Hardwater® Single Handle Lavatory Faucet



Features:

- 1 or 3 hole installation
- Ceramic disc cartridge, G0092298, w/temp limit stop
- Working parts can be easily replaced
- Supplied with 1/4" nominal copper tubes and 1/2" I.P.S. compression adapters (1/2" copper tube supplies and 1/2" I.P.S. soldered male adapters are optional)
- Loop style zinc metal chrome plated handle
- Exposed parts have heavy chrome plated finish
- 1.5 gpm (5.7 L/min) maximum aerator @ 60 psi
- Lead free waterways per NSF/ANSI 372
- Fully ADA compliant
- Limited lifetime warranty



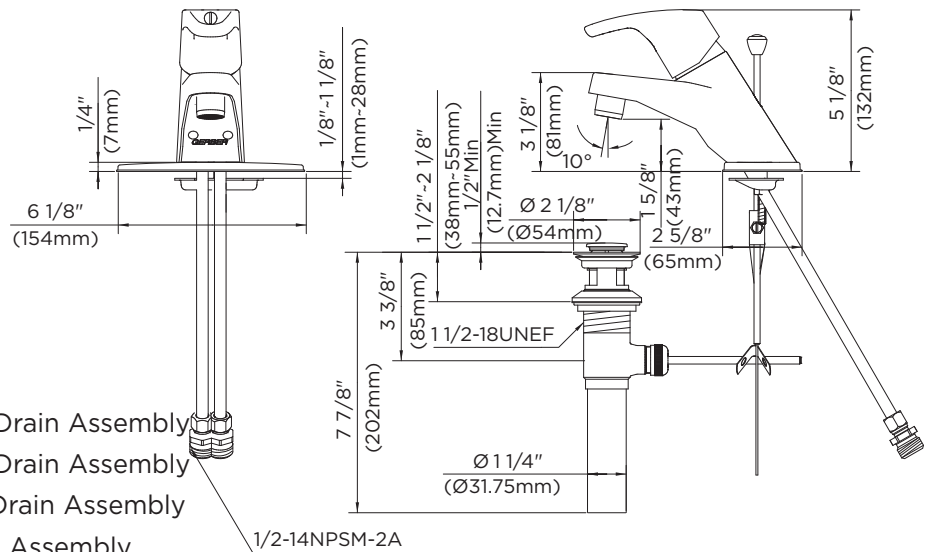
40-524 Shown

Standards & Certifications:

- ASME A112.18.1M
- NSF/ANSI 372
- IAPMO/cUPC
- ICC/ANSI A117.1
- EPA/Watersense
- MASS Code

Catalog Numbers:

- 40-500** With Pop-up Hole ,Less Drain Assembly
- 40-500-50** With Pop-up Hole ,Less Drain Assembly
- 40-501** Less Pop-up Hole ,Less Drain Assembly
- 40-524** With Metal Pop-up Drain Assembly
- 40-524-50** With Metal Pop-up Drain Assembly



Prefixes Available:

None

Suffixes Available:

-50 1/2" Soldered Male Adapters on Copper

Job Name	
Date	
Model Specified	
Quantity	
Customer	
Contractor	
Architect/engineer	

Gerber Toll Free Technical Support: 888-648-6466
www.gerberonline.com