



VITREOUS CHINA

TOILET  
25-820

LAVATORIES

TOILETS

BIDETS / URINALS

CAST IRON

# COMMERCIAL Round Front Top Spud Bowl

10" Rough-in

### Features:

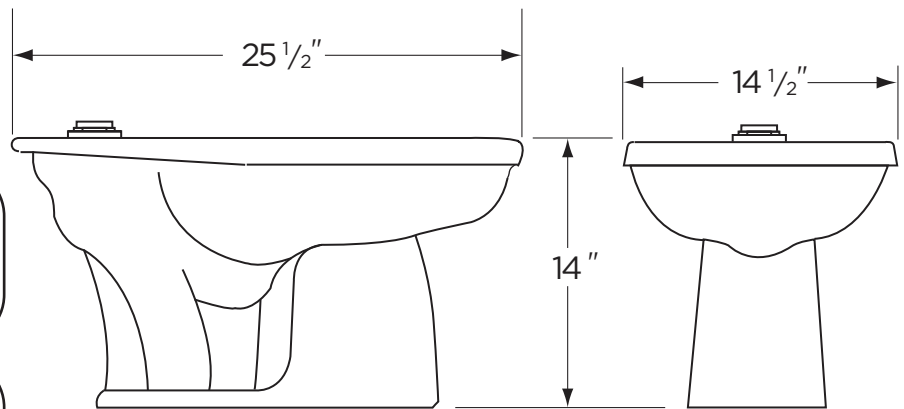
- Low Consumption 1.6 gpf (6.0 Lpf)
- Round Front Bowl
- Siphon Jet
- 1 1/2" Spud For Flushometer Valve
- Large Trapway

### Dimensions:

- Height .....14"
- Width ..... 14 1/2"
- Depth .....25 1/2"
- Rough-in.....10"
- Water Surface from Rim ....4 5/8"
- Trapway (min).....2"
- Water Surface ..... 12" x 10"
- Water Seal ..... 2 1/2"
- Shipping Weight ..... 44 lbs



Seat not included



RECOMMENDED STATIC WATER PRESSURE FOR PLUMBING FIXTURES IS 20 - 80 PSI STATIC PER ANSI STANDARDS A112.19.2M APPENDIX B.

THIS FIXTURE QUALIFIES ACCORDING TO ASME TEST PROCEDURES AS A LOW CONSUMPTION WATER CLOSET WITH AN AVERAGE CONSUMPTION OF 1.6 gpf (6 Lpf) OR LESS.



www.gerberonline.com

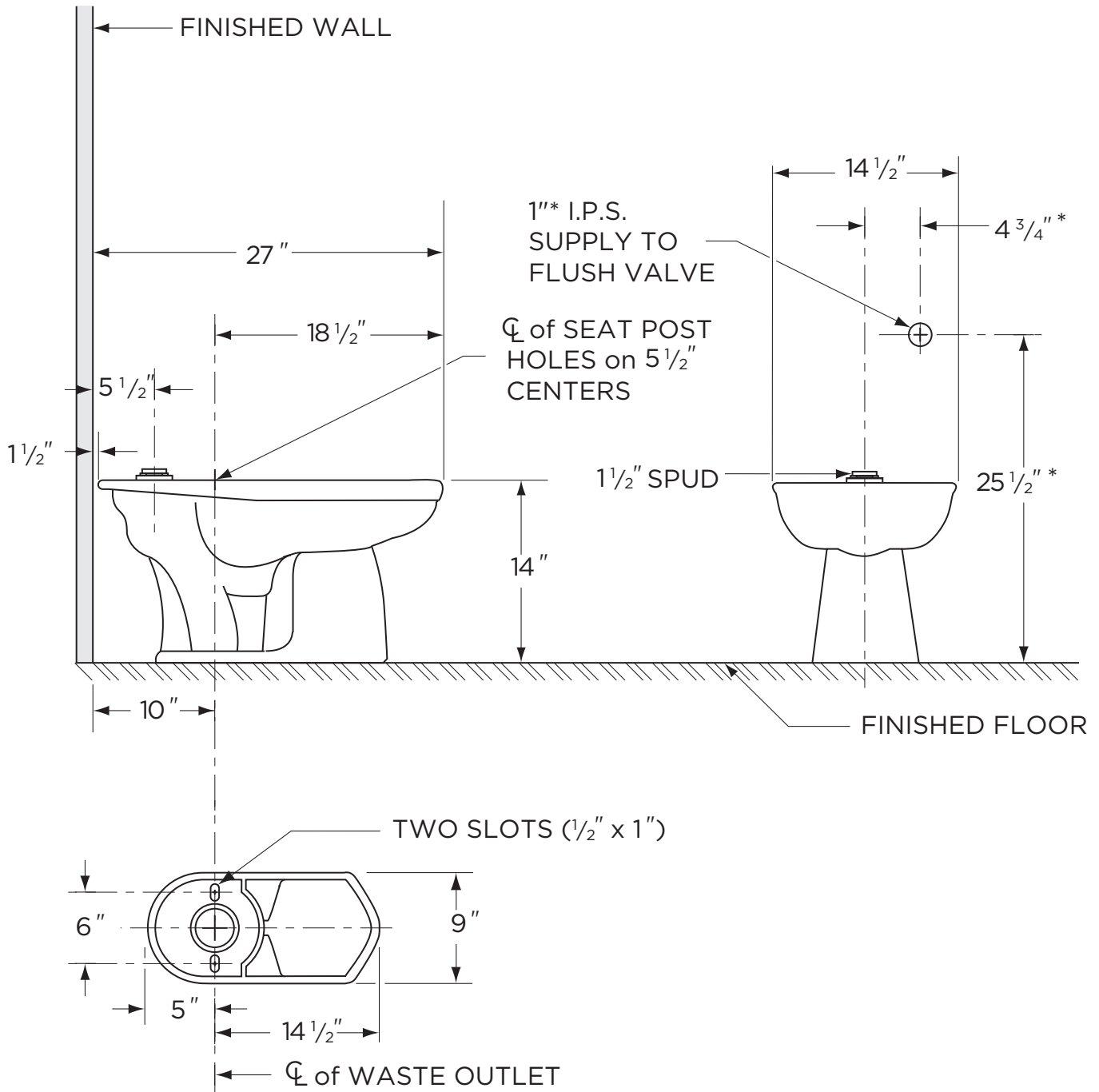
Job Name	
Date	
Model Specified	
Quantity	
Customer	
Contractor	
Architect/engineer	



# 1.6 gpf (6 Lpf) LOW CONSUMPTION COMMERCIAL BOWL

25-820

Round Front Siphon Jet / Top Sud Bowl  
10" Rough-in



### NOTES:

All dimensions are in inches.

\*Use flush valve manufacturer's recommended rough-in.

Illustrations may not be drawn to scale.

### IMPORTANT:

Dimensions of fixtures are nominal and may vary within the range of tolerances established by ASME Standard A 112.19.2.

THIS FIXTURE QUALIFIES ACCORDING TO ASME TEST PROCEDURES AS A LOW CONSUMPTION WATER CLOSET WITH AN AVERAGE CONSUMPTION OF 1.6 gpf (6 Lpf) OR LESS.