



Features:

- Flow rate at 1.75 gallon per minute
- Aerated flow pattern
- Female or male thread available
- Wrench included
- Insert provided by neoperl
- Laser etched "A112.18.1M, 1.75 GPM / 6.6 LPM Max"
- Pressure compensating between 20 psi and 80 psi
- Chrome or brushed nickel (same as SS) or oil rubbed bronze finish available

Standards & Certifications:

- ASME A112.18.1M

Catalog Numbers:

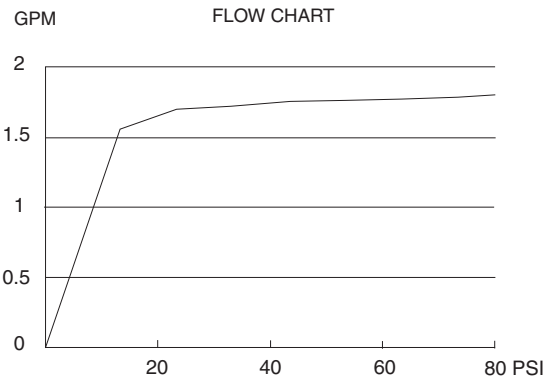
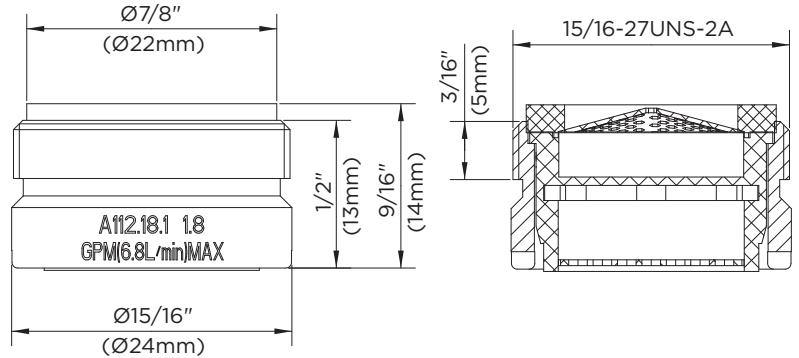
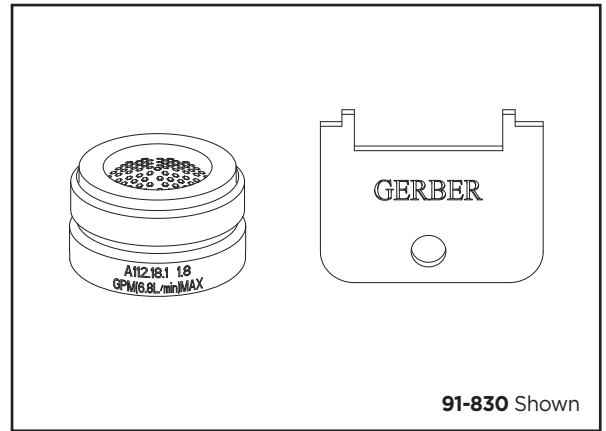
- 91-830** 1.75GPM, Reg, Male, Aerated
- 91-833** 1.75GPM, Jr, Female, Aerated
- 91-842** 1.75GPM, Reg, Male, VP, Aerated
- 91-843** 1.75GPM, Reg, Female, VP, Aerated
- 91-837** 1.75GPM, Reg, Female, Aerated
- 91-838** 1.75GPM, Male, Aerated for Brianne series
- 91-841** 1.75GPM Insert, Aerated, Brianne Kitchen Pull Out

Prefixes Available:

None

Suffixes Available:

None



Job Name	
Date	
Model Specified	
Quantity	
Customer	
Contractor	
Architect/engineer	