

Wicker Park ONE-PIECE TOILET DIRECTIONS FOR BOWL ASSEMBLY

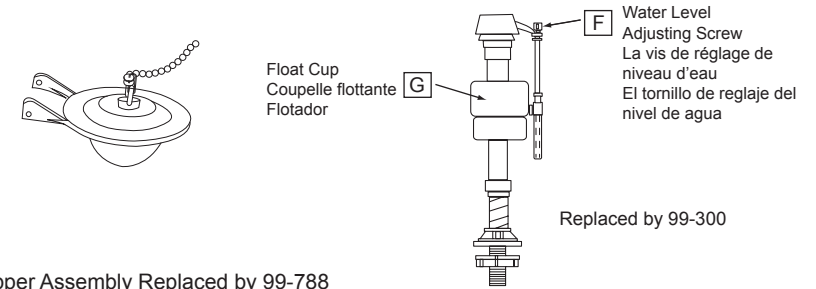
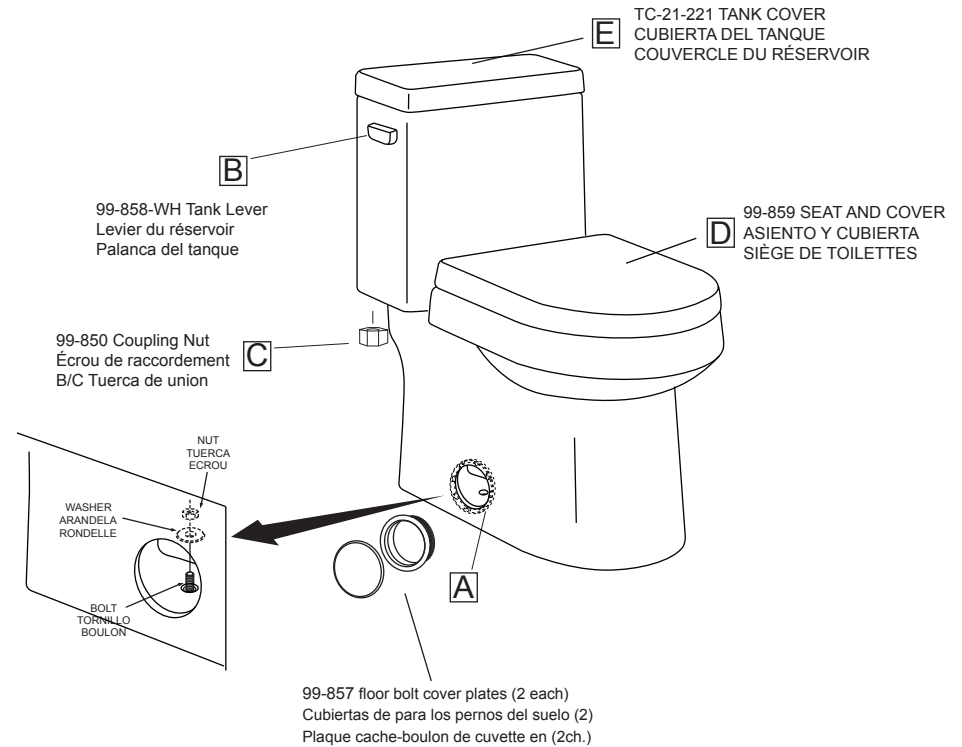
This water closet has been designed for easy installation. Conventional fittings have been used throughout so that the working parts and operation of this assembly may be easily understood.

- Cover plates (A) are provided to be used as indicated in the illustration.
- The fill valve coupling nut (C) is provided to connect the water supply line to the fill valve. **USE NO PIPE DOPE! HAND TIGHTEN ONLY! OVERTIGHTENING MAY SPLIT THE FILL VALVE AND WILL VOID THE WARRANTY!**
- Make sure refill tube adaptor is attached to the top of the flush valve overflow tube.
Note: Flow from the refill tube must be positioned directly over the overflow tube.
- IMPORTANT: Always clear sand and rust from system.**
 - Remove valve top by lifting arm and rotating top 1/8 turn counterclockwise.
 - While holding a container over the uncapped valve to prevent splashing, turn water supply on and off a few times. Leave water supply off.
 - Replace TOP by engaging lugs and rotating 1/8 turn clockwise. MAKE CERTAIN TOP IS TURNED TO THE LOCKED POSITION. VALVE MAY NOT TURN ON IF TOP IS NOT FULLY TURNED TO THE LOCKED POSITION.
- Adjust water level in tank to marked water line. Turn the water level adjustment screw (F) to move the float cup (G) up or down.
- Check action and nut tightness (left hand thread) of tank lever (B). Also, check looseness of flapper chain (there should be slight slack in chain when at rest) and seal of flush valve flapper.
- Install seat cover (D) per manufacturer's instructions.

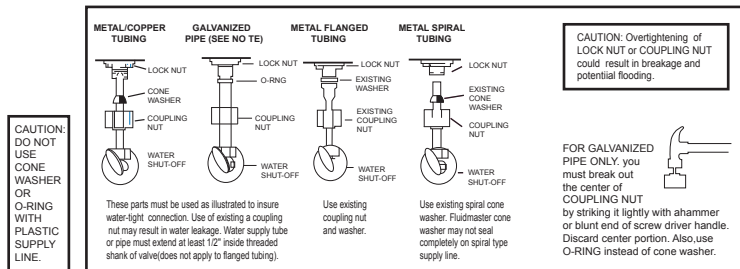
DO NOT USE IN-TANK DROP-IN TOILET BOWL CLEANERS CONTAINING CHLORINE OR BLEACH. Use of in-tank drop-in cleaners containing chlorine or bleach VOIDS FLUIDMASTER™ WARRANTY and WILL RESULT IN DAMAGE to tank components and may cause flooding and property damage.

DO NOT EXPOSE PLASTIC TRIM PARTS TO STRONG OXIDIZING AGENTS, CHLORINE, OR ACID LEVELS OF LOWER THAN 5.0 pH. SOME BOWL/TILE CLEANERS CONTAIN SUCH AGENTS.

TANK TYPE BOWL CLEANERS CAN CAUSE TANK COMPONENT FAILURE AND DAMAGE. OUR WARRANTY EXCLUDES SUCH FAILURES.



Flapper Assembly Replaced by 99-788



GERBER

FLUIDMASTER™ is the trademark of Fluidmaster Inc.
8CGE0073 One-piece, rev. 08-14