



**Florestone
Model FM
Utility Sink**

23³/₈" x 22³/₈" x 35¹/₂"

	Weight:
FM-1 (1/Box):	30 lbs.
FM-3 (3/Box):	85 lbs.
Capacity	20 gallons

**Architect's
Specifications**

Furnish and install Utility Sink Model FM as manufactured by Florestone Products Co. Floor mounted sink to come with four (4) heavy duty molded legs and the hardware to attach legs to the sink, and drain plugs with hardware.

Color will be white and will be resistant to fading and abrasion.

Unit to have 1¹/₂" drain opening.

Optional and Accessories

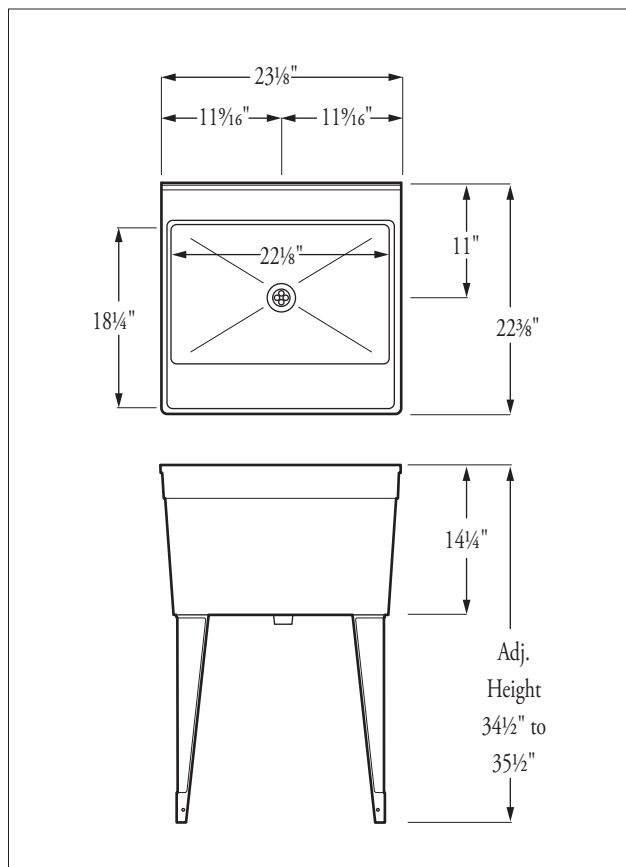
FM Accessory Kit

Set of Legs (4) – Heavy duty molded legs

Standards

I.A.P.M.O. Listed File 2647
ANSI-Z-124.6-97

CSA Test • Warnock Hersey Listed:
CAN/CSA-B45.0 – CAN/CSA-B45.5



Inside Tray Dimensions: 18¹/₄" x 22¹/₈"



FLORESTONE PRODUCTS CO., INC.

2851 Falcon Drive • Madera, CA 93637

T. 559.661.4171 • T. 800.446.8827

F. 559.661.2070 • florestone.com