

APPLICATION:

PRODUCT NAME:  
**CTL VLV 8BSZLH SVL SV**

JOB NAME:

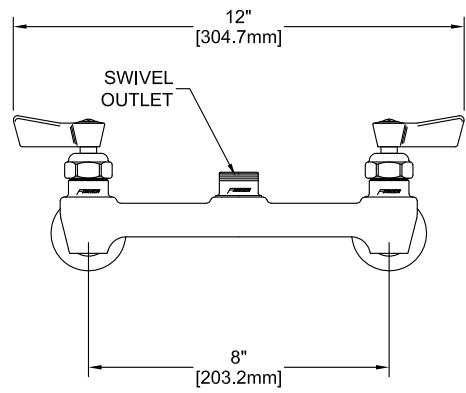
MODEL:

QUANTITY:

ITEM NO.:

- 63819 CTL VLV 8BSZLH SVL SWIVEL STEMS
- 64289 CTL VLV 8BSZLH SVL CHECK STEMS

OPTIONS OR MODIFICATIONS:  
 OTHER EZ INSTALL ADAPTERS



**FEATURES**

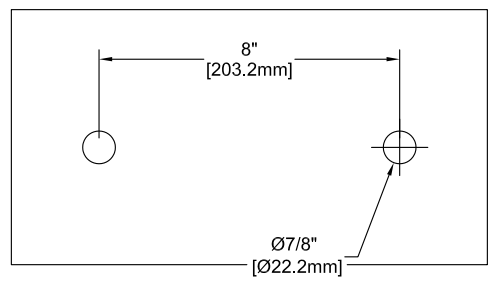
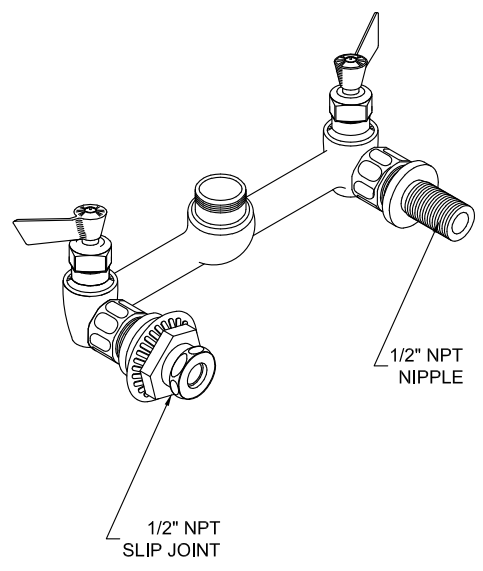
- CONTROL VALVE**
- \* 8" C/C BACKSPLASH MOUNT
  - \* HOT SIDE STEM - RIGHT HAND
  - \* COLD SIDE STEM - LEFT HAND
  - \* SWIVEL OR CHECK STEMS
  - \* STAINLESS STEEL SEATS
  - \* STAINLESS STEEL SEAT SCREWS
  - \* STAINLESS STEEL HANDLE SCREWS

- SYSTEM LIMITS**
- \* TEMP: 40°F MIN. TO 160°F MAX.
  - \* PRESSURE: 200 PSI MAX. STATIC

- SHIPPING WEIGHT**
- \* 4.0 LBS

**ROUGH-IN:**

- PRODUCT COMPLIANCE:**
- \* ASME A112.18.1 / CSA B125.1
  - \* NSF 61 - Section 9
  - \* NSF 372 (Low Lead Content)



FISHER MANUFACTURING COMPANY  
 TOLL FREE: 800-421-6162 - FAX: 800-832-8238  
 information@fisher-mfg.com - www.fisher-mfg.com