

APPLICATION:

PRODUCT NAME:  
PIPE TO HOSE ADAPTER TEE  
CHEMICAL / TEE

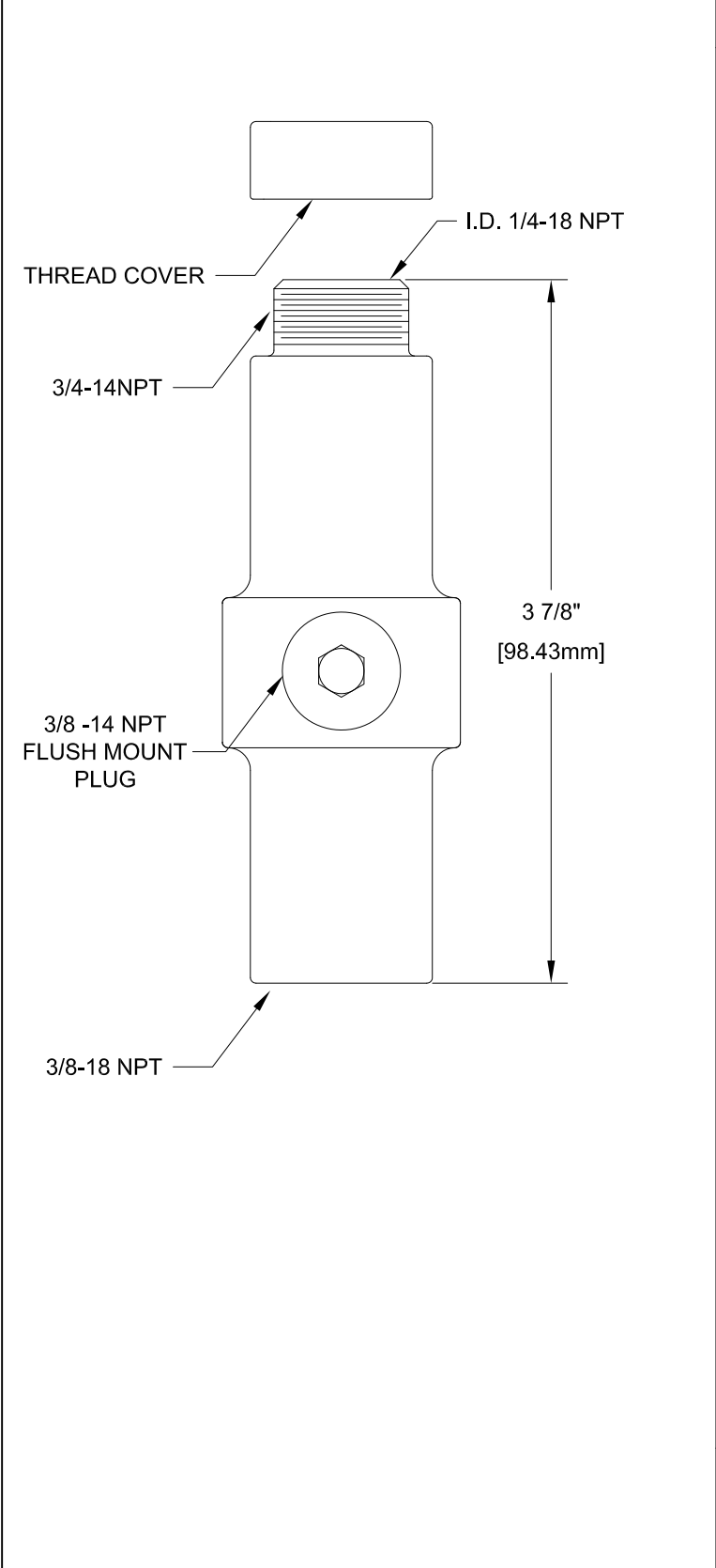
JOB NAME:

SPECIAL CONFIGURATION  
 CHECK BASE MODEL AND OPTIONS

QUANTITY:

ITEM NO.

MODEL:  
 72813



FEATURES

- \* ATTRACTIVE DESIGN
- \* LESS OBSTRUCTION / NO NEED FOR LONGER HOSE
- \* FITS ALL BRANDS
- \* COMMERCIAL DURABILITY / ALL STAINLESS STEEL
- \* SPEEDS INSTALLATION / REDUCES PLUMBING LOBOR
- \* FLUSH MOUNT 3/8" NPT PLUG INCLUDED

SYSTEM LIMITS

- \* TEMP: 40°F MIN. TO 140°F MAX.
- \* PRESSURE: 200 PSI MAX. STATIC

SHIPPING WEIGHT

- \* 1.5 LBS

ANSI/A112.18.1M

**FISHER**  
 FISHER MANUFACTURING COMPANY  
 TOLL FREE: 800-421-6162 - FAX: 800-832-8238  
 information@fisher-mfg.com - www.fisher-mfg.com