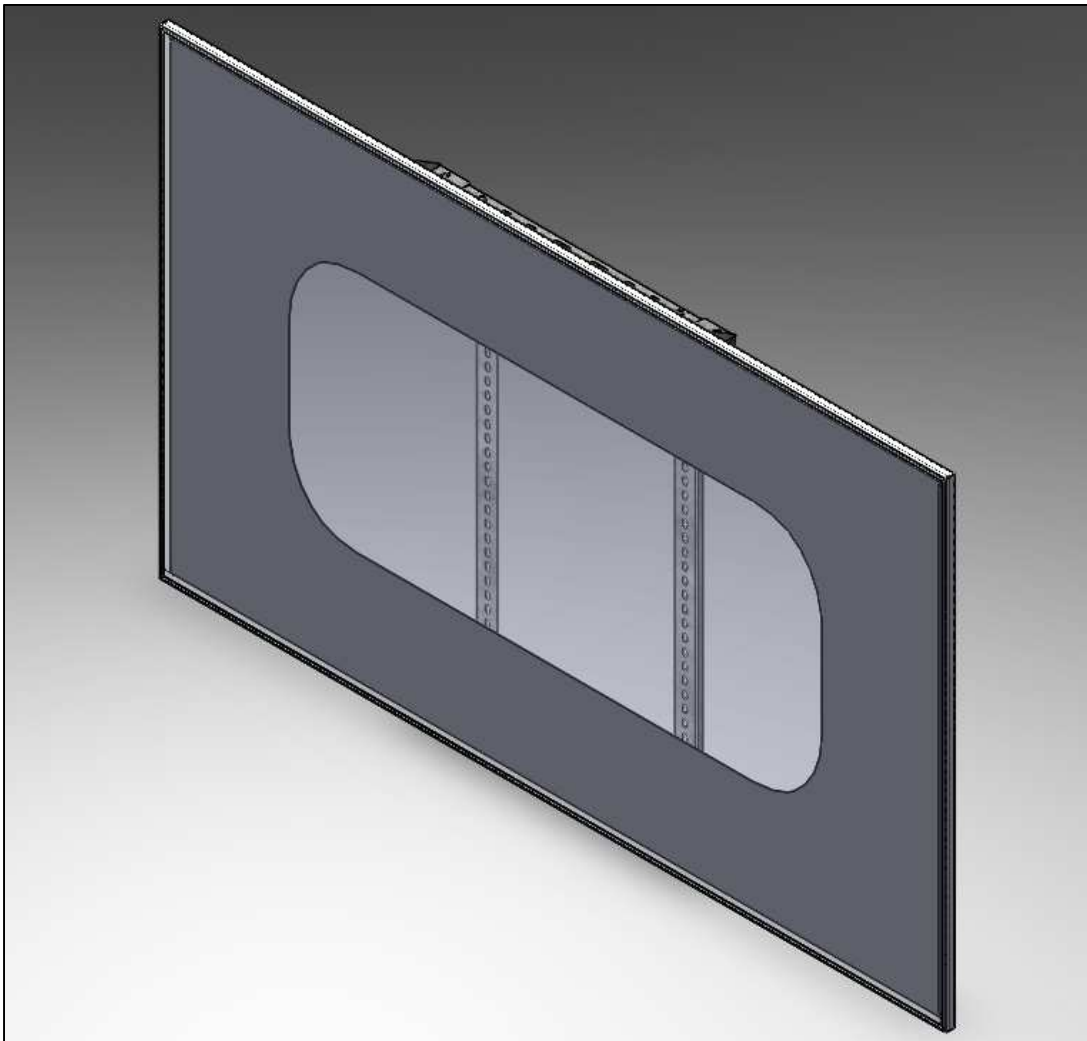


# ECLIPSE: TV COVER

## INSTALLATION GUIDE



**Congratulations on purchasing your Eclipse Vanishing TV Mirror! Installing your TV into the Eclipse Mirror is a very simple process following these instructions.**

Before unboxing your Eclipse Mirror and Eclipse Mounting Bracket Kit, check to ensure you have received the correct size for your TV (keep in mind that TV “sizes” refer to the diagonal screen dimension). The Eclipse Mirror is for flat TVs only, curved TVs are not supported.

TVC2-EB02P-32-M and KIT-TVC2-32:	32” TVs
TVC2-EB02P-40-43-M and KIT-TVC2-40-43:	40-43” TVs
TVC2-EB02P-48-55-M and KIT-TVC2-48-55:	48-55” TVs
TVC2-EB02P-58-65-M and KIT-TVC2-58-65:	58-65” TVs
TVC2-EB02P-75-M and KIT-TVC2-75:	75” TVs

Also, verify that your TV’s thickness is within the range the Eclipse Vanishing TV Mirror supports. You can find this information in the documentation that came with your TV. Thicknesses of 1.7 to 3.5” are supported, this should cover all flat screen TVs available on the market. If your TV’s thickness does not fall within this range, contact Electric Mirror. A custom change to one pair of brackets in the Bracket Kit can accommodate other TV thicknesses.

**IMPORTANT NOTE:** this installation process includes assembling and attaching the wall or table TV mounting kit you have selected and obtained separately (see pg. 15). **You are responsible** for understanding and completing the instructions associated with this wall or table mounting kit, take the time to understand them now. **You are responsible** for ensuring that your selected wall or table TV mounting kit is rated for the combined weight of your TV and the Eclipse Mirror.

The weight of your TV is given in your User’s or Installation Manual

The weight of each size of Eclipse Mirror and Mounting Bracket Kit is:

32”: 20 lbs

45”: 27 lbs

55”: 37 lbs

65”: 47 lbs

75”: 58 lbs

Add the weight of your TV and the weight of the Eclipse Mirror/Mounting Brackets

TV Weight \_\_\_\_\_lbs + Eclipse Mirror/Mounting Bracket Weight \_\_\_\_\_lbs = \_\_\_\_\_lbs

The maximum weight your wall or table mounting kit is rated to hold, \_\_\_\_\_lbs, is provided in that kit's User's or Installation Guide. It must be larger than the TV + Eclipse weight calculated above. While likely rare, if this is not true, **STOP**. *You must select a different wall or table mounting unit that has sufficient weight capacity.*

The TV portion of your wall or table mounting kit will be attached to your TV at the same time as the Eclipse Mirror and Mounting Bracket Kit, both parts using the same "VESA" universal mounting holes on the rear of your TV. Part of your wall or table mounting kit attaches to the TV, the other part attaches to the wall or sets on a flat surface (table, shelf, desk, etc.).

#### **INSTALLATION OVERVIEW:**

You are going to install the TV against the back side of the Eclipse Mirror with the Eclipse Mounting Bracket Kit. The Eclipse Mounting Bracket Kit attaches the Eclipse Mirror to your TV using the standard VESA threaded mounting holes on the back of your TV. At the same time, you will install the parts of your wall or table mounting kit that also attach to these same VESA threaded mounting holes. You will get all the brackets, including all screws, into position, the last step will be to tighten all screws.

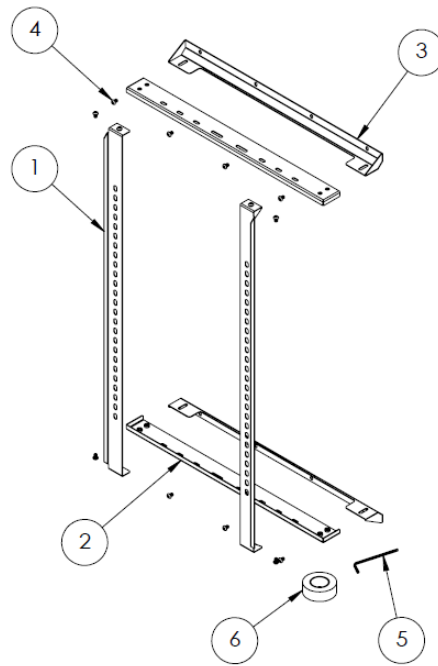
#### **INSTALLATION INSTRUCTIONS:**

1. The Eclipse Mirror and its Mounting Bracket Kit uses one size bolt only, and the hex tool for those is provided. The larger bolts for the VESA holes are supplied in the wall or table mount kit you obtained separately, you may need a specific tool for these larger bolts, as specified in the User's Guide/Instructions for this kit.
2. Prepare a suitably large, cushioned, flat work surface free of edges or projections that could scratch or damage the Eclipse Mirror. When you unbox the Eclipse Mirror, set the mirror face down on your prepared flat work surface.
3. Unbox and identify the Eclipse Mounting Bracket Kit parts, including supplied hex wrench. Two extra screws are provided.



Left hand picture, from top to bottom: Horizontal Mounting Brackets (2 ea, 70551), Height Adjusting Brackets (2 ea, 70550), Vertical Mounting Brackets (2 ea, 70513). Right hand picture close-up of the black tape, supplied hex wrench, and 16 ea. ¼-20X3/8” Round Head Hex screws. See drawing and Bill of Materials, below.

ITEM NO.	NUMBER	DESCRIPTION	QTY.	REV.	DESCRIPTION	ECR#	REVISED	APPROVED	DATE
1	70513	TV-BRACKET, WELDMENT, TVC2, 58-65, PC-BLACK	2						
2	70550	VESA-BRACKET, ADJUSTABLE, TVC2, 16GA-CRS, PC-BLACK	2						
3	70551	BRACKET, WELDMENT, FRAME, TVC2, PC-BLACK	2						
4	70243	SCREW, BUTTON HEAD, HEX DRIVE, 1/4"-20 X 3/8"	16						
5	70244	HEX L-KEY, 5/32" SIZE, 4-7/16" LENGTH	1						
6	57090	FLOCKED PAPER, BLACK, SELF ADHESIVE, 12FT ROLL	1						



**INSTRUCTIONS:**

- DO NOT ASSEMBLE COMPONENTS
- IF BRACKETS RECEIVED FROM POWDER COATING ARE NOT WRAPPED IN PROTECTIVE PAPER COVER BRACKETS PRIOR TO SHIPPING
- PLACE SCREWS, HEX KEY, FLOCKED PAPER ROLL(S) IN ZIP BAG
- PLACE ALL PARTS INTO CARBOARD BOX, SIZE: 38.00 X 6.50 X 4.50

<b>ELECTRIC MIRROR, LLC</b> ©2018				<b>PROPRIETARY AND CONFIDENTIAL</b> THE INFORMATION CONTAINED IN THIS DRAWING IS THE SOLE PROPERTY OF ELECTRIC MIRROR LLC. ANY REPRODUCTION IN PART OR AS A WHOLE WITHOUT THE WRITTEN PERMISSION OF ELECTRIC MIRROR LLC, IS PROHIBITED. ©2018.			
DESCRIPTION: <b>TV MOUNT KIT, 58-65"</b>							
UNLESS OTHERWISE SPECIFIED:				DWG. NO.			
TOLERANCES:		CUP FORM		KIT-TVC2-58-65		SHEET 1 OF 1	
ANGULAR	± 1°	± 30"		ENGINEER	NAME	DATE	SHEET SIZE: A
90° ANGLE	N/A	± 1°		ALP	ALP	04/18/2018	REVISION A.1
TWO PLACE DECIMAL	.03	.04		DRAWN BY	SG	04/18/2018	SCALE: 1:10
THREE PLACE DECIMAL	.003	.004		CHECKED BY			DIMS IN INCHES [mm]
METRIC (mm)	0.5	1.0					

4. Remove the protective film from the rear of the mirror. Lift the cloth shroud to access the protective film (still in place in this picture). Clean and dry this side of the mirror with isopropyl alcohol.



5. Thoroughly clean and dry your TV screen per your TV Users Guide. If the bezel (outer, front frame) of your TV has silver trim or is otherwise not black, carefully apply the supplied black tape (Flocked Paper, Black, Self-Adhesive, 12' Roll) over this trim. When anything black is behind the Eclipse Mirror, it is a functioning mirror. If anything reflective (such as silver bezel trim) or light emitting (such as the TV, when on) is behind the Eclipse Mirror, it can be seen through the mirror.



An example of a TV's outer frame/bezel not being black. This one is clear.

6. Place the TV face down against the rear of your Eclipse Mirror, approximately centered in the frame. It will be on top of the black fabric shroud covering most of the back of your Eclipse Mirror.



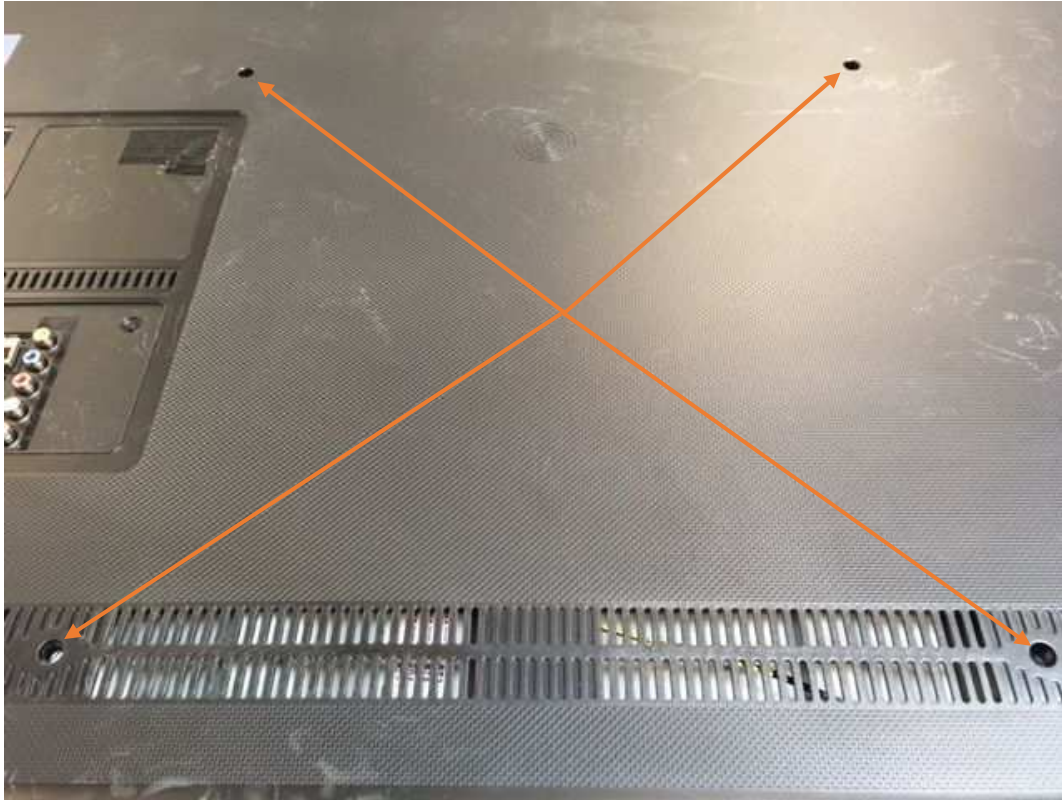
The TV is face down on top of the black cloth shroud, on the back of the mirror.

7. In this step the black fabric shroud around the back of the Eclipse Mirror is lifted and placed over the outer edges of the rear of your TV. Lift each corner of the TV to free the shroud from under it and carefully place the shroud over the back of the TV. Re-center the TV in the Eclipse Mirror frame as needed.



The black shroud fills the space between the TV and the edges of the mirror so that its full reflectivity is achieved.

8. Identify the VESA mounting holes on the rear of your TV, refer to your TV's documentation.

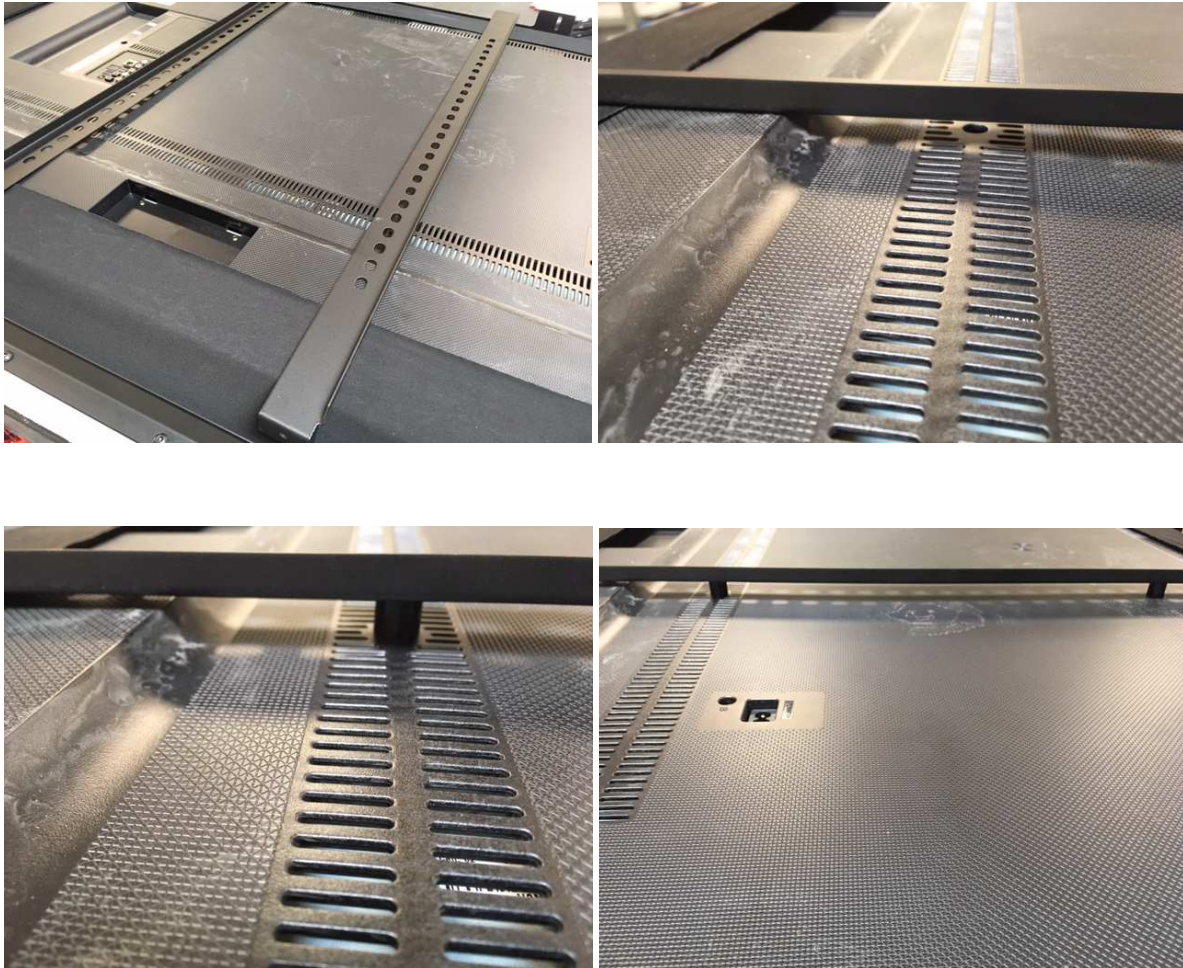


9. Place the horizontal mounting brackets (70551 from the Bill of Materials on the drawing above) into position along the upper and lower Eclipse Mirror frame rails, centered along the length of these frame rails. Insert four screws each in the top and bottom to attach the horizontal mounting brackets to the threaded holes in the metal strips inside each frame rail. Do not fully tighten these, finger tighten only at this time.



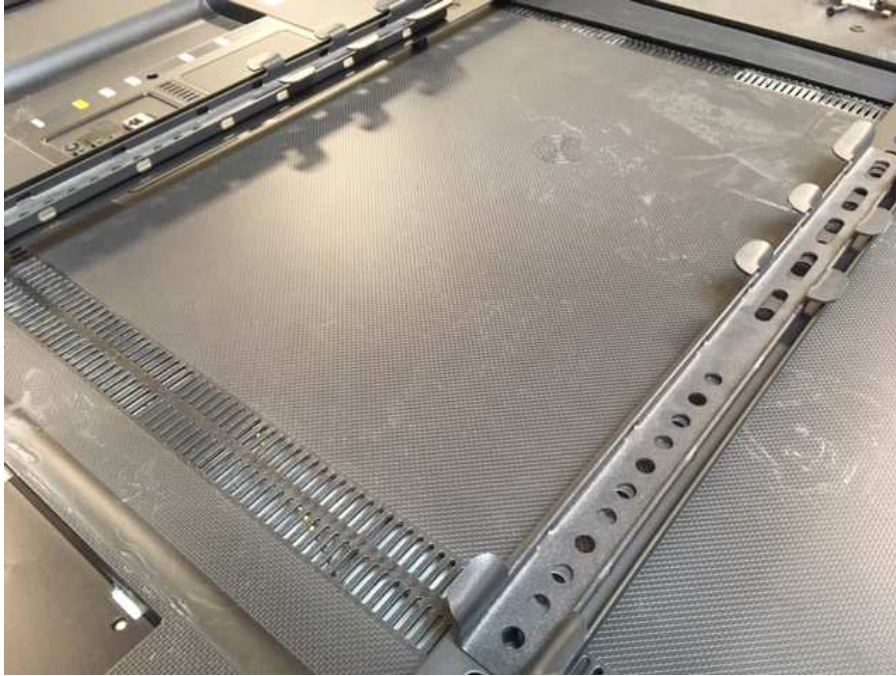
10. Place the vertical Eclipse Mirror Mounting Brackets (70513) on the rear of your TV, with the ends of these brackets within the Horizontal Mounting Brackets, and roughly align these Brackets over the VESA mounting holes. Note that the back of the TV pictured below is not flat. Spacers to correct this were provided with your TV and/or with the wall/table mounting kit you purchased separately.





Spacers in place between VESA mounting holes and Vertical Mounting Bracket.

11. The Eclipse Mirror and Mounting Bracket Kit *not have a top or bottom*, but your wall or table mounting kit *does*. Identify the top of your TV and place your wall or table mounting kit's TV portion into position per the kit's instructions, on top of the Eclipse Vertical Mounting Brackets. The Vertical Mounting Brackets can go on either side of the TV so that the stiffening wall does not interfere with the wall or table mounting kit's brackets.



Wall mount brackets on top of the Vertical Mounting Brackets

12. Align the holes in the vertical Eclipse Mirror Mounting Brackets, and the holes in your mounting kit, with the VESA mounting holes in the rear of the TV, so that the ends of the Eclipse Mirror Mounting Brackets are aligned with the top and bottom of the Eclipse frame.
13. Select long enough bolts (M8 thread) for the VESA holes. Feed these bolts through the mounting kit holes, the Vertical Eclipse Mirror Mounting Bracket holes, the levelling spacers if used, and thread them into the VESA holes. Do not fully tighten these yet – finger tighten only. If these bolts barely thread into the VESA holes before bottoming against the wall/table mount brackets, select longer bolts. If they bottom out in the VESA holes before they are finger tight, select shorter bolts or use washers between the bolt heads and your wall mounting kit parts.



This bolt is clearly too long, in the right-hand picture it is bottomed out in the VESA mounting hole.



With a spacer/washer, this bolt was a good fit. It goes through the TV portion of the wall or table mounting kit, the Vertical Mounting Bracket, the spacer, and into the VESA mounting hole, with three or more turns of engagement at a minimum, and not bottoming out.

14. Adjust the TV's position as needed. Lift the TV by the Vertical Mounting Brackets.
15. Place the Height Adjusting Brackets (70550) between the Horizontal and Vertical Mounting Brackets. Thread in screws between the Height Adjusting and Vertical Mounting Brackets, finger tighten only. Thread in screws between the Height Adjusting Brackets and the Horizontal Brackets, finger tighten only.



Two screws attach each Height Adjusting Bracket to the Vertical Mounting Brackets, and two screws go through each Horizontal Mounting Brackets into the Height Adjusting Brackets. The Height Adjusting Bracket is *automatic*, only one of two possible fixed PEM nuts will be accessible via the slots in the Horizontal Mounting Brackets.

16. Check TV alignment to the Eclipse mirror. Use the various mounting hole slots to help you visualize correct alignment. Verify that all metal brackets are in position and aligned. Tighten all screws firmly:
- VESA mounting hole bolts (4)
  - Horizontal Eclipse Mounting Brackets to Eclipse Mirror frame (4 each)
  - Eclipse Height Adjusting Brackets to Eclipse Vertical Mounting Brackets (4, one per connection)
  - Eclipse Height Adjusting Brackets to Eclipse Horizontal Mounting Brackets (4, one per connection)
17. Your Eclipse Mirror – TV – wall or table mounting system is now assembled!



18. Install the wall or table portion of your mounting system per the instructions supplied with it.



19. Hang your Eclipse Mirror – TV assembly on to the wall or table portion of your mounting system. Connect your TV components such as cable or dish boxes, DVR's, and game systems to your TV per its Users/Installation Guide. It may be easier with some wall/table mounting systems to make the connections before hanging the TV.



20. Remove the protective film from the front of your Eclipse Mirror (film is still in place in this picture).



When your TV is off, the Eclipse Mirror enhances your décor, and the TV is invisible. When the TV is on, it shows clearly through the Eclipse Mirror. We recommend that you adjust the TV's brightness and contrast to your desires, generally increasing the brightness to compensate for shining through the invisible mirror.