

# Soap Basket Grab Bar

Stainless steel screws for wood backing & 4 hollow wall togglers included with every bar!

\* *Wingit Compatible (wingits sold separately)*

LL-2060 Series

Soap Basket  
Grab Bar

## Application Use:

Architectural

Commercial

Institutional

Residential

## Specifications

The Soap Basket Grab Bar is manufactured using high quality 18 gauge 1.25" diameter 304 stainless steel. Clean finished look using a concealed flange cover and a wingit compatible flange base with 5 optional screw hole ports makes locating on a stud or hollow wall even easier than ever. 4 hollow wall togglers included with every bar. The Life Line Collection has been designed, built, and tested to 500lbs exceeding HUD, FHA, VA, ADA, ANSI and other federal, provincial, and local codes. \*Grab Bars can only be as strong as what they are mounted to. It is imperative when installing any safety product to consult with a qualified contractor to insure you have sufficient backing.



## The Life Line Collection

All Soap Basket Grab Bars ship complete with easy to follow instructions, mounting hardware for stud framing & hollow walls. The Life Line Collection has been designed, built and tested to 500lbs. The Soap Basket Grab Bar comes in 5 standard finishes and is available in either a right hand or left hand orientation.

LL-2060RHSS SATIN FINISH STAINLESS STEEL

LL-2060RHPC POLISHED CHROME

LL-2060RHBN BRUSHED NICKEL

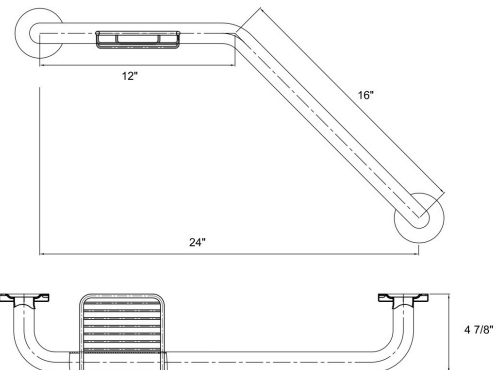
LL-2060RHORB OIL RUBBED BRONZE

LL-2060RHWH WHITE POWDER COATING

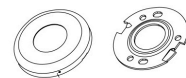
**Change RH to LH for Left Hand Orientation**

*Custom Finishes Available Upon Request*

LL-2060 Series (Right Hand Shown)



Easy to mount flange!  
Welded, 3" round, 5 hole flange with concealed cover.



Dimension tolerances +/- 3/16"