

ELKAY[®]

INSTALLATION, CARE & USE MANUAL

VRCTL™ Series Barrier-Free Water Coolers



Note: Danger! Electrical shock hazard. Disconnect power before servicing unit.

Uses HFC-134A refrigerant

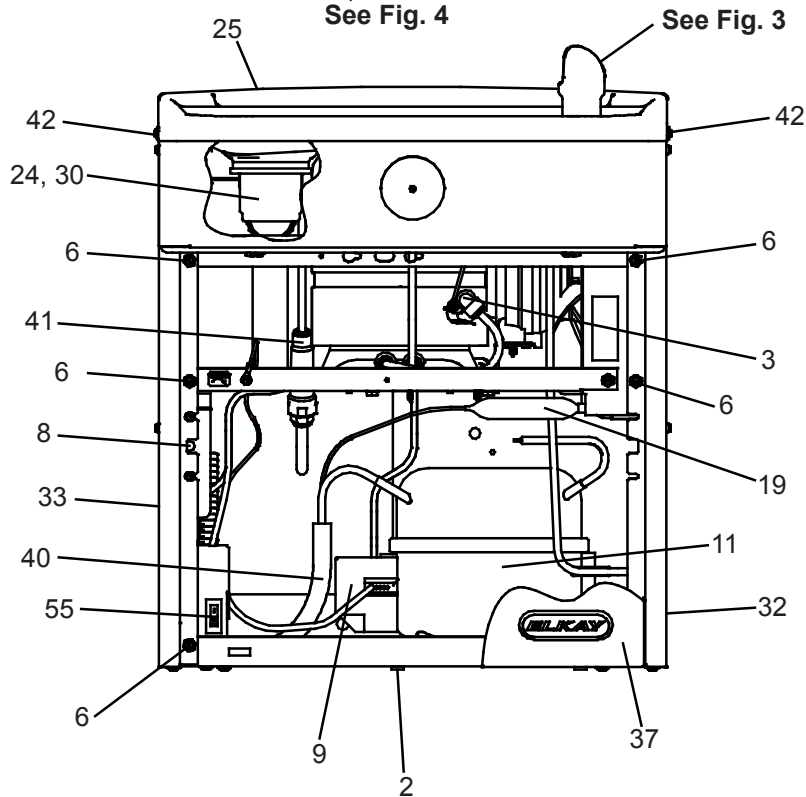
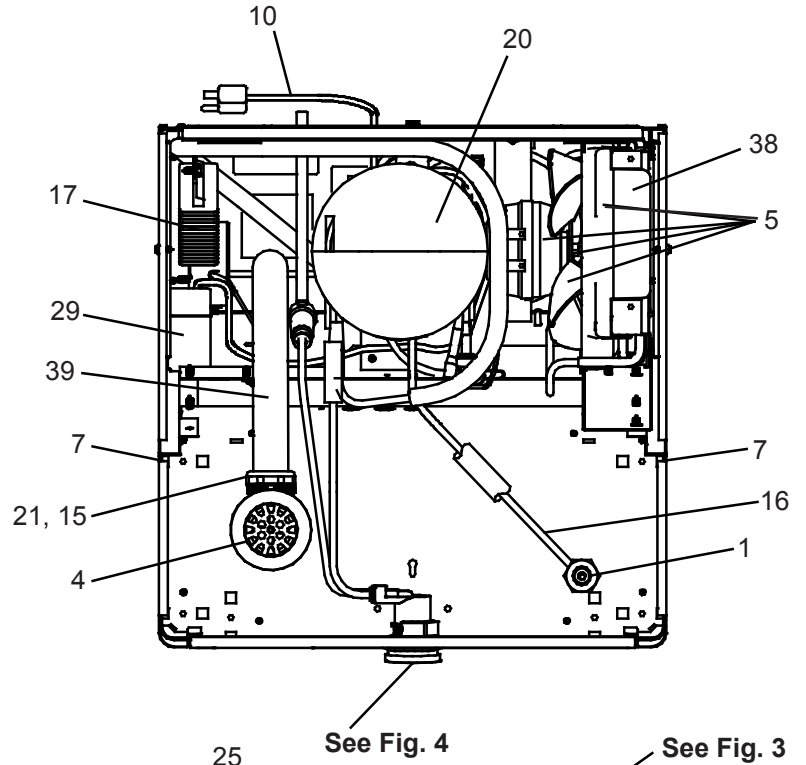
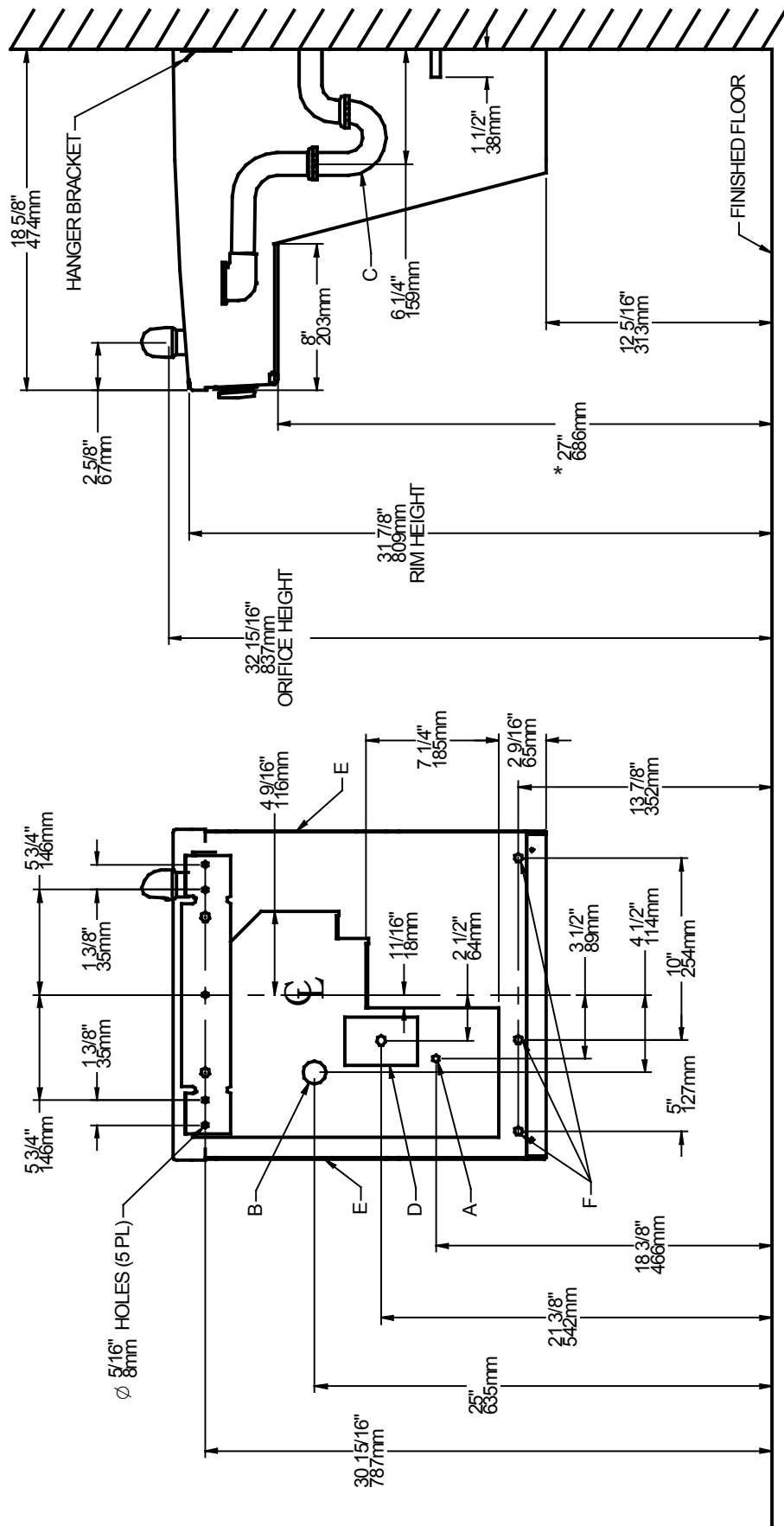


Fig. 1

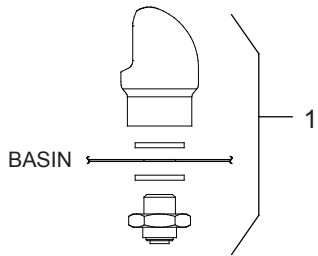


*REDUCE HEIGHT BY 3" FOR INSTALLATION OF CHILDREN'S ADA COOLER

*ADA REQUIREMENT

Fig. 2

- LEGEND**
- A = RECOMMENDED WATER SUPPLY LOCATION 3/8 O.D. UNPLATED COPPER TUBE CONNECT STUB WITH SHUT OFF (BY OTHERS) 3 IN. (76mm) MAXIMUM OUT FROM WALL
 - B = RECOMMENDED LOCATION FOR WASTE OUTLET 1-1/2" O.D. DRAIN STUB 2 IN. OUT FROM WALL
 - C = 1-1/2" TRAP NOT FURNISHED
 - D = ELECTRICAL SUPPLY (3) WIRE RECESSED BOX
 - E = INSURE PROPER VENTILATION BY MAINTAINING 6" (152 mm) (MIN.) CLEARANCE FROM CABINET LOUVERS TO WALL
 - F = 7/16 BOLT HOLES FOR FASTENING UNIT TO WALL



Vandal-Resistant Bubbler
Fig. 3

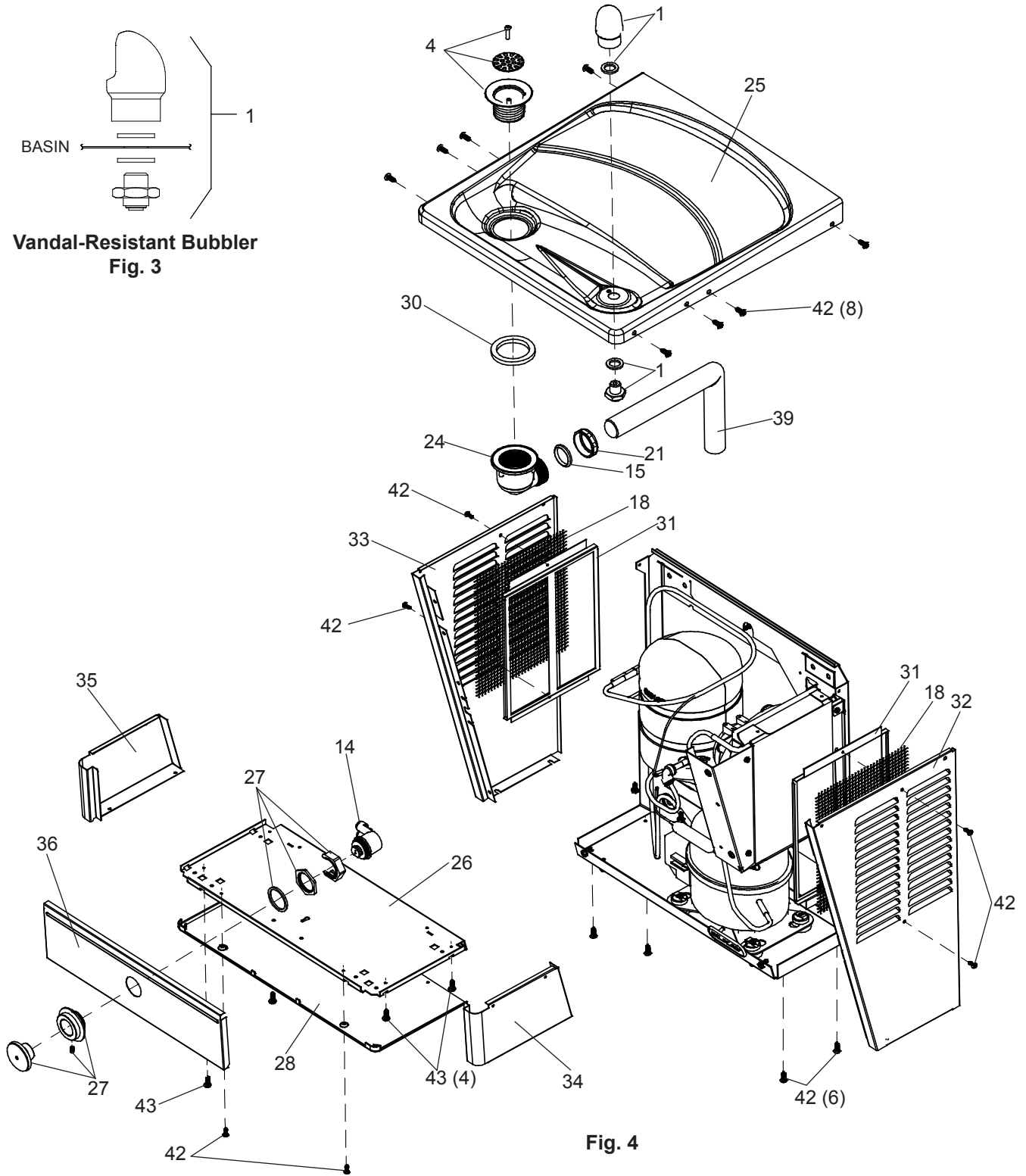


Fig. 4

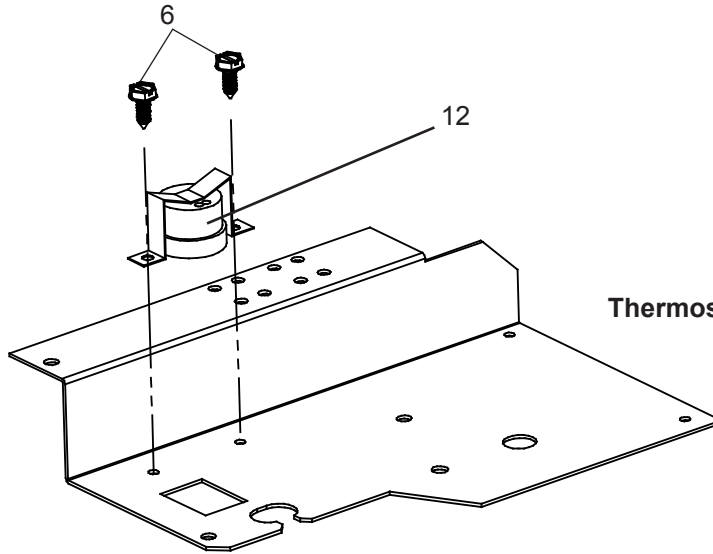
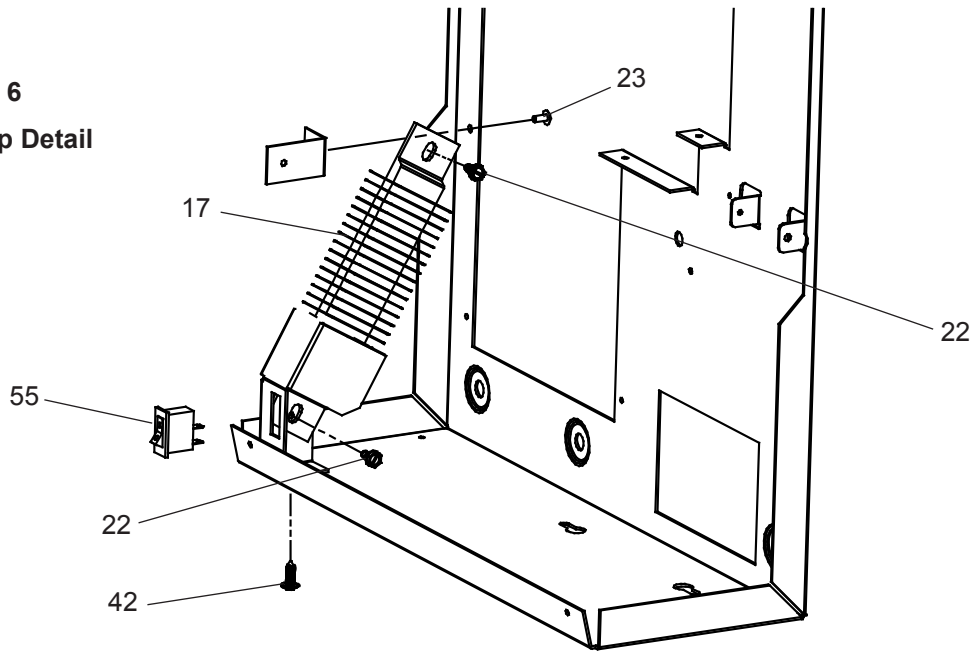


Fig. 5
Thermostat Installation Detail

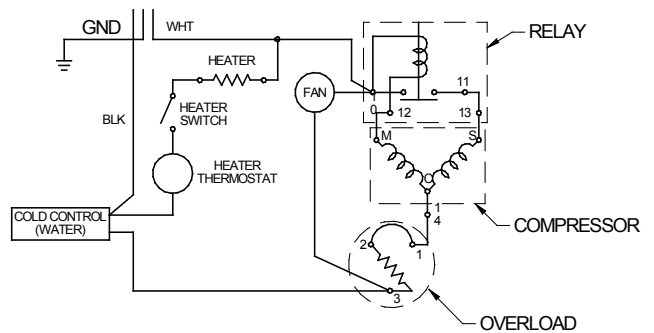
Fig. 6
Heater Strip Detail



WARNING!

This unit is frost resistant down to 0° F with no wind. Prevailing winds can reduce the ability of the heater element to prevent light freezing. If the ambient air temperature will drop below 0° F, the cooler needs to be drained of all water by blowing out all water lines, evaporator (item 20), and the drain trap. A heater strip is used to heat the unit and will begin to cycle at 40° +/- 5° F. A check at this temperature will ensure the heater is working and the unit is resistant to light freezing.

ALSO, MAKE SURE THERE ARE NO PLASTIC OR FLAMMABLE COMPONENTS DIRECTLY ABOVE THE HEATER STRIP.



Wiring Diagram

115V PARTS LIST

ITEM NO.	PART NO.	DESCRIPTION
1	97446C	VR Bubbler Assy.
2	98777C	Kit - Compr Mtg. Hardware/Studs/Clips/Grommets
3	1000001602	Kit - Elbow 5/16" x 1/4" (3 Pack)
4	600985551640	Kit - Drain Plug/Strainer/Adapter/Screw
5	98775C	Kit - Fan Mtr/Blade/Shroud/Nut/Screws
6	70022C	Screw - #10 x 1/2" Lg. HHSM
7	75524C	Clip (Front & Rear Panels)
8	98773C	Kit - Cold Control/Screws
9	0000000238	Kit - Elect/Relay/Overload/Cover
10	35870C	Power Cord
11	36322C	Compressor Serv. Pak EMI 70
12	35909C	FR Thermostat Assy.
13	35907C	Switch - Rocker
14	98530C	Kit - Regulator/Holder/Nut
15	75589C	Gasket
16	56092C	Tubing - Poly (Cut To length)
17	35906C	Heater Strip
18	28617C	Screen - VR
19	66703C	Drier
20	98724C	Evaporator Replacement Assembly
21	75588C	Nut - 1-1/4" Slip Joint
22	75506C	Screw - #10 x .75 HHSM
23	70432C	Screw - 8-32 x .38 THTC
24	56121C	Elbow - Drain
25	28963C	Basin - Stainless Steel
26	22897C	Panel - Bottom Dispenser
27	1000001906	Kit - Push Button/Sleeve/Spacer/Screw/Nuts
28	55931C	Cover - Dispenser Bottom
29	27124C	Cover - Cold Control
30	100147140560	Gasket - Drain
31	28596C	Panel - Screen
32	See Color Table	Panel - RH Rear
33	See Color Table	Panel - LH Rear
34	See Color Table	Panel - RH Dispenser Side
35	See Color Table	Panel - LH Dispenser Side
36	See Color Table	Panel - Dispenser Front
37	See Color Table	Panel - Front Lower
38	98776C	Kit - Condenser/Drier
39	45930C	Tube - Drain
40	98778C	Kit - Heat Exchanger/Drier
41	55996C	Strainer (See "General Instructions")
42	0000001190	Kit - #10 Pinned Torx Screws/T-25 Bit
43	70864C	Screw - #8 x .62 Torx/Slot
NS	28551C	Hanger Bracket

NS = NOT SHOWN

***REPLACE WITH SAME COMPRESSOR USED IN ORIGINAL ASSEMBLY.**

NOTE: All correspondence pertaining to any of the above water coolers or orders for repair parts MUST include Model No. and Serial No. of cooler, name and part number of replacement part.

COLOR TABLE PANEL COLOR	Item No. 32 Part No.	Item No. 33 Part No.	Item No. 34 Part No.	Item No. 35 Part No.	Item No. 36 Part No.	Item No. 37 Part No.
Stainless Steel	28525C	28528C	28519C	28522C	28516C	22955C

**IMPORTANT
ALL SERVICE TO BE PERFORMED BY AN
AUTHORIZED SERVICE PERSON**

HANGER BRACKETS & TRAP INSTALLATION

- 1) Remove hanger bracket fastened to back of cooler by removing one (1) screw.
 - 2) Mount the hanger bracket and trap as shown in Figure 2.
- NOTE:** Hanger Bracket MUST be supported securely. Add fixture support carrier if wall will not provide adequate support.

IMPORTANT:

- 6 1/4 in. (159mm) dimension from wall to centerline of trap must be maintained for proper fit.
 - Anchor hanger securely to wall using all five (5) 1/4 in. dia. mounting holes.
- 3) Install straight valve for 3/8" O.D. tube.

INSTALLATION OF COOLER

- 4) Hang the cooler on the hanger bracket. Be certain the hanger bracket is engaged properly in the slots on the cooler back as shown in Figure 2.
- 5) Loosen the two (2) screws holding the lower front panel at the bottom of cooler base and two (2) screws at the top (**Use torx bits sold separately**). Remove the front panel and set aside.
- 6) Connect water inlet line--See Note 4 of General Instructions.
- 7) Remove the slip nut and gasket from the trap and install them on the cooler waste line making sure that the end of the waste line fits into the trap. Assemble the slip nut and gasket to the trap and tighten securely.

START UP

Also See General Instructions

- 8) Stream height is factory set at 45-50 PSI. If supply pressure varies greatly from this, adjust screw using the access hole in the pushbutton (insert screwdriver). CW adjustment will raise stream and CCW adjustment will lower stream. For best adjustment, stream should hit basin approximately 6-1/2" (165mm) from bubbler.