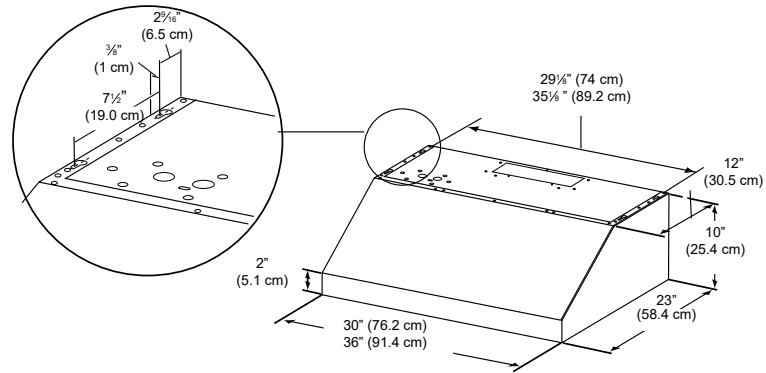


ELICA'S EXCLUSIVE PLUS FEATURES

Available in 30" and 36" widths and only 10" high, the Sora offers professional styling and adequate power for most cooking needs. Sora features a 400 CFM blower with 2 dishwasher-safe, stainless steel baffle slot filters, LED lighting and rocker switch controls for convenience and safety. Sora is sure to deliver easy maintenance, higher efficiency and a cleaner kitchen



MOUNTING
HEIGHT
RANGE

SPECIFICATIONS



	30" UNIT	36" UNIT
Model:	ESR430S1	ESR436S1
Dimensions:	30" W x 23"D x 10"H	36" W x 23"D x 10"H
Blower Type(internal):	400 CFM, 3-Speed Internal	
Blower Performance:		
Speed 1	160 CFMs	
Speed 2	280 CFMs	
Speed 3	400 CFMs	
Noise (sones):	Min: 1.5, Max: 5.9 Sones	
Working Speed		
Finish:	Stainless Steel	
Controls:	Rocker Controls	
Illumination:	2, 2.1 W LED Lamps	
Filter Type:	2 Dishwasher-Safe, Stainless Steel Baffle Slot Filters	
Duct Transition:	31/4" x 10" with Back Draft Damper (top or rear)	
Installation Type:	Ducted or Recirculating Installation (Recirculating Kit Sold Separately)	
Electrical:	120 Volts, 60 Hertz, 340 Watts at 2.8 Amps	
CONSUMABLE PARTS:		
Replacement Grease Filter (1)	GF09EA	GF09FA
Replacement Light Bulb (1)	42006BH	

PLUS FEATURES



STAINLESS STEEL BAFFLE SLOT FILTERS - A baffle shaped stainless steel filter with mesh backing allows air to pass but blocks grease, which drops into the high capacity baffle cavities. The design delivers large volume capacity, excellent capture efficiency at ALL blower speeds, silent operation, plus, durability that will last the life of the hood.



LED LIGHT - LED lighting is undoubtedly the smartest solution in terms of energy saving. Expected life time of over 20,000 hours, represents the most remarkable advantage of LED light bulbs.