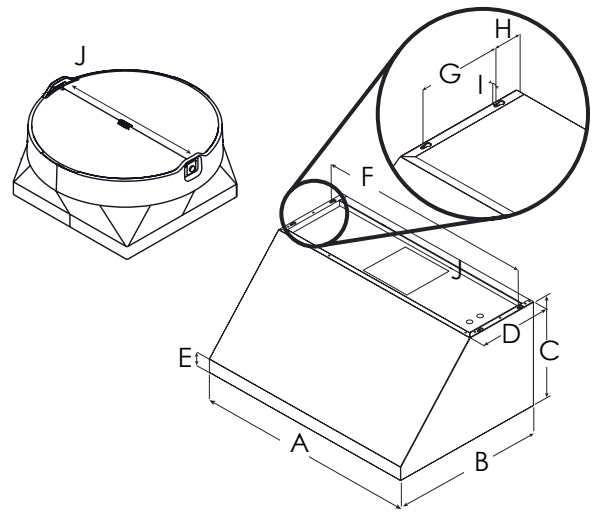




ELICA'S EXCLUSIVE PLUS FEATURES

For homeowners who are passionate about the culinary arts, the seamless welded corner craftsmanship, traditional styling and gleaming stainless steel of Calabria, provides the look and performance expected from a professional-grade range hood. With the new backlit hidden knob controls and traditional baffle filters, Calabria is available in 30", 36", 42" and 48" widths and equipped with a 600 CFM (30") or 1200 CFM blower (36", 42", 48") to support all cooking needs. Designed for standard ducted ventilation only.



MOUNTING HEIGHT RANGE

	ELC630S3 ECL630S4	ECL136S3 ECL136S4	ECL142S3 ECL142S4	ECL148S3 ECL148S4
A	30" (76 cm)	36" (91.1 cm)	42" (106.5 cm)	48" (121.7 cm)
B	25" (63.5 cm)			
C	18" (45.7 cm)			
D	12" (30.3 cm)			
E	1 ⁵ / ₈ " (5.7 cm)			
F	29 ¹ / ₈ " (74 cm)	35 ¹ / ₈ " (89.2 cm)	41 ¹ / ₈ " (104.5 cm)	47 ¹ / ₈ " (119.7 cm)
G	7 ¹ / ₂ " (19 cm)			
H	2 ² / ₁₆ " (63.5 cm)			
I	3 ³ / ₈ " (1 cm)			
J	10" (25.45 cm)			

SPECIFICATIONS



	30" UNIT	36" UNIT	42" UNIT	48" UNIT
Model:	ECL630S3 ECL630S4	ECL136S3 ECL136S4	ECL142S3 ECL142S4	ECL148S3 ECL148S4
Dimensions:	30"W x 25"D x 18"H	36"W x 25"D x 18"H	42"W x 25"D x 18"H	48"W x 25"D x 18"H
Blower Type(internal):	600 CFM (4-speed)	1200 CFM (4-speed)	1200 CFM (4-speed)	1200 CFM (4-speed)
Blower Performance:				
Speed 1	205 CFM	375 CFM	375 CFM	375 CFM
Speed 2	350 CFM	640 CFM	640 CFM	640 CFM
Speed 3	510 CFM	940 CFM	940 CFM	940 CFM
Speed 4	600 CFM	1200 CFM	1200 CFM	1200 CFM
Noise (sones): Working Speed	Min: 2.01, Max: 6	Min: 3.1, Max: 7.7	Min: 3.1, Max: 7.7	Min: 3.1, Max: 7.7
Finish:	Stainless Steel			
Controls:	Fully retractable rotating knobs with blue backlighting			
Illumination: (replaceable lamps 1 intensity)	2 LED, 7.5 W	2 LED, 7.5 W	3 LED, 7.5 W	3 LED, 7.5 W
Filter Type:	Dishwasher-Safe, Professional Stainless Steel			
Angled Baffle Filters:	2	2	2	3
Duct Transition:	10" Round with BackDraft Damper (top and rear)			
Installation Type:	Ducted Installation Only			
Electrical:	120V - 60 Hz			
KITS:				
Long Chimney Extension Kit 6":	KIT2159	KIT2158	KIT2622	KIT2164
Long Chimney Extension Kit 12":	KIT2160	KIT2161	KIT2623	KIT2165
Heat Lamp w/2 75W Bulbs Kit:	KIT0142857	KIT0142858	KIT0142861	KIT0142863
Stainless Back Splash and Warm Racks Kit:	KIT0142864	KIT0142867	KIT0142868	KIT0142870
CONSUMABLE PARTS:				
Replacement Grease Filter (1):	GF044A	GF09EA	GF09FA	GF044A
Replacement Light Bulb (1):	LMP0131098			

*Consumable parts are sold in units of one (1). Order accordingly

PLUS FEATURES



HUSH SYSTEM - An exclusive sound deadening technology that effectively reduces sound levels by over 35%.



LED CONSUMER REPLACEABLE BULB - High quality LED lighting usually requires a skilled technician to replace lamps. Avoid this expense with Elica's new LED lamps that enable homeowners to replace in seconds.



SEAMLESS CRAFTSMANSHIP - Heavy gauge stainless steel "Seamless" construction that delivers refined elegance.



STAINLESS STEEL BAFFLE FILTERS WITH GREASE COLLECTORS - Designed for high airflow cooking, the "S" shape design traps high volumes of grease.



PROFESSIONAL PERFORMANCE - Special features and high performances for models with aspiration capacity between 600 and 1200 CFM's.



HEAT GUARD - Senses extreme temperatures (>158 degrees) and automatically adjusts the blower speed to HIGH.