



3X LAYER MESH FILTER



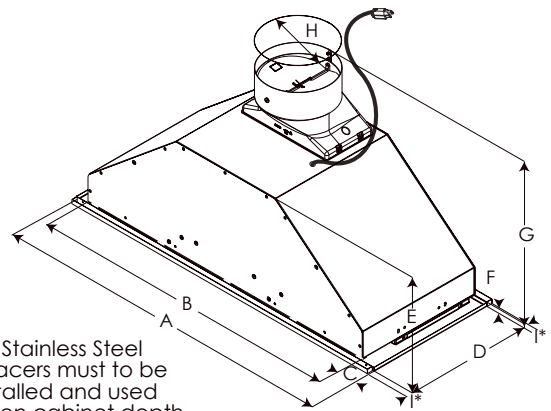
LED LIGHT

ELICA'S EXCLUSIVE PLUS FEATURES

Asti is designed for discreet mounting inside cabinetry, fits perfectly into 12" deep cabinetry and is ideal for kitchens where space is limited or the range hood needs to be out of sight.

Asti comes equipped with a powerful 400 CFM blower that can handle most cooking needs.

Convenient Backlit Electronic Push Button Controls operate the 3 speed blower and LED lighting, while dishwasher safe anodized aluminum mesh filters offer easy maintenance. Asti is designed for standard ducted or recirculating installation.



I\* - Stainless Steel Spacers must be installed and used when cabinet depth is greater than 12".

	EAS422SS	EAS428S1
A	22 $\frac{1}{4}$ " (57.1 cm)	28 $\frac{1}{4}$ " (71.8 cm)
B	19 $\frac{1}{16}$ " (50 cm)	26" (66 cm)
C	1 $\frac{3}{64}$ " (2.9 cm)	
D	10 $\frac{3}{4}$ " (27.3 cm)	
E	9 $\frac{17}{32}$ " (24.2 cm)	
F	5 $\frac{1}{16}$ " (.85 cm)	
G	14 $\frac{7}{16}$ " (37 cm)	
H	6" (15.2 cm)	
I*	1 $\frac{1}{2}$ " (1.27 cm)	



≥24"



≥30"

MOUNTING HEIGHT RANGE

## SPECIFICATIONS



	24" Unit	28" Unit
Model:	EAS422SS	EAS428S1
Dimensions:	22 1/4 "W x 10 3/4"D x 9 1/2" H	28 1/4 "W x 10 3/4 "D x 9 1/2" H
Blower Type(internal):	400 CFM (3 -speed)	
Blower Performance:		
Speed 1	160 CFM	
Speed 2	280 CFM	
Speed 3	400 CFM	
Noise (sones):	Min: 1.5, Max: 5.9	
Working Speed		
Finish:	Stainless Steel	
Controls:	Backlit electronic Push Button 3-Speed	
Illumination:	2 LED, 2.1 Watts	
Filter Type:	Dishwasher-Safe, Anodized Aluminum Mesh Filter	
Aluminum Mesh Filters:	1	2
Duct Transition:	6" Round with Back Draft Damper (top only)	
Installation Type:	Ducted (Recirculating Kit sold separately)	
Electrical:	120 V - 60 Hz 340 Wattage	
KITS:		
Recirculating Kit with 2 carbon filters:	KIT02770	
30" Hood Liner (29" Wx17 1/2" -20 1/2" D):	KIT02773	
36" Hood Liner (35" Wx17 1/2" -20 1/2" D):	KIT02774	
	*Liner accessories are only available for the EAS428S1 model	
CONSUMABLE PARTS:		
Grease Filter (1):	GF08PA	GF08P
Carbon Filter(1):	FB016A	FB016A
Light Bulb (1):	LMP0117673	

\*Consumable parts are sold in units of one (1). Order accordingly

## PLUS FEATURES



**3X LAYER GREASE FILTER** - Elica aluminum mesh filters are a step above competition, featuring triple layered, anodized aluminum that is woven into a highly dense mesh. The thick mesh captures more grease, anodization helps resist staining and provides durability to repeated cleanings in the dishwasher.



**LED LIGHT** - LED lighting is undoubtedly the smartest solution in terms of energy saving. Expected life time of over 20,000 hours, represents the most remarkable advantage of LED light bulbs.