

# EBF52SS1

Beverage & Wine Center | FRENCH DOOR DUAL ZONE



EPC  
TECHNOLOGY



QUIET  
OPERA-



ECO - MODE



DOOR  
OPEN



CON-  
CEALED



HIGH  
EFFICIENCY

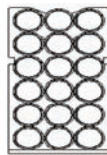
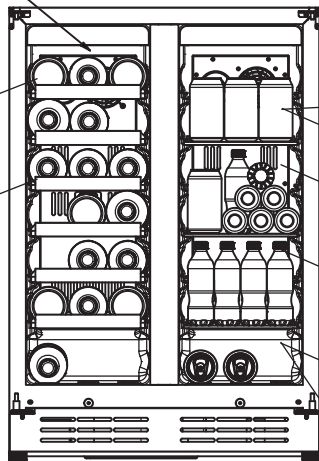
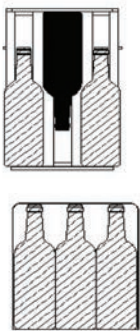
ELICA'S EXCLUSIVE  
PLUS FEATURES

A paradigm of sophisticated design and seamless construction, RISERVA is your best ally when preserving the freshness of your beverages. Dual Compartments and Dual Cooling zones, offer the elegance of a wine cellar, fused with the convenience of a beverage center.

It holds up to 60 cans (12oz) within the Beverage Zone and up to 21 bottles of wine (21oz) in the Wine Zone. Optimum preservation is ensured thanks to the natural Beechwood shelves, highest quality components that reduce vibration, plus Elica's Perfect Climate technology (EPC) that maintains consistent and even temperature distribution.

## STORAGE CAPACITY

COOLING ZONE 2 - WINES  
MAX CAPACITY: 3 BOTTLES OF WINE  
(25 oz) PER RACK

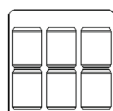


COOLING ZONE 1 - BEV Upper Rack  
MAX CAPACITY: 18 CANS (12 oz)

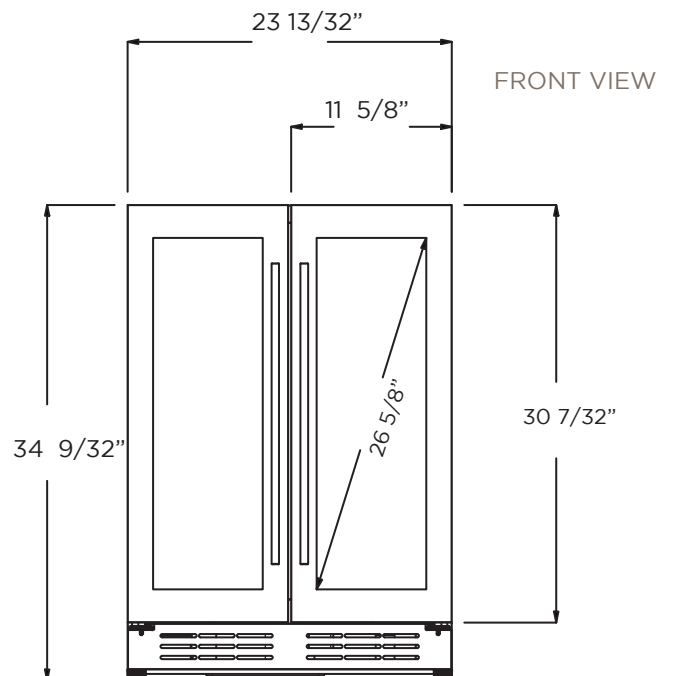
COOLING ZONE 1 - BEV Middle Rack  
MAX CAPACITY: 18 CANS (12 oz)

COOLING ZONE 1 - BEV Bottom Rack  
MAX CAPACITY: 18 CANS (12 oz)

COOLING ZONE 1 - BEV Bottom Part  
MAX CAPACITY: 6 CANS (12 oz)



TOTAL MAX CAPACITY: 21 BOTTLES + 60 CANS  
\*Do not exceed Max Capacity, avoid product damage and losing warranty validation



# EBF52SS1

Beverage & Wine Center | FRENCH DOOR DUAL ZONE



## PRODUCT DESCRIPTION

<b>COMMERCIAL CODE - EBF52SS1</b>		<b>DOOR</b>	
Width	24"	Door Handle	Tubular
Dimensions	23 13/32" W x 34 13/16" H x 22 13/32" D	Door Glass	Tinted Dual Pane, Low-e Argon-filled
Weight	117 lbs	Reversible Door	No
Installation Type	Built-in and Free Standing	<b>ELECTRICAL SPECIFICATIONS</b>	
Refrigerant Type	R600a	Compressor Brand	Embraco
Volume	4.8 cu ft (135L)	Min. Circuit Required	15 A
Sound Level	39 dBA	AC Power	110-120V/60HZ
Door Finish	304 Stainless Steel + Glass	Amperage	0.95 A
Cabinet Finish	Black	Plug Type	B
Interior Finish	Black	<b>OTHERS</b>	
Hinge Design	Concealed	Superior Full Extension Racks	
Lighting	3 Level White LED	Beverage Shelving made of Plexiglass	
Controls	Capacitive Touch with Display with white numbers	Premium Beachwood Wine Racks	
		White LED Lights with 3 level KELVIN shade adjustment	
<b>COOLING ZONE 1 - BEVERAGES</b>		Anti Vibration Technology	
Total Capacity	> 60 Cans (12 oz)	Double Panel Glass Door, UV coated	
Temperature Range	34 to 68 °F	Sabbath Mode	
Shelving	3 Adjustable Slide-Out Glass Shelves with Plastic Front	Stylish look with tubular handle	
		<b>KITS</b>	
<b>COOLING ZONE 2 - WINES</b>		PRO Handle	KIT0175505
Total Capacity	21 Bottles of Wine (25 oz)	<b>WARRANTY</b>	
Temperature Range	34 to 68 ° F	2+1 Year Parts and In-Home Labor Warranty. Third year awarded after product registration on <a href="http://www.elica.com">www.elica.com</a>	
Shelving	6 Pieces Beachwood Shelves with Metal Front Trim		

## LINE DRAWING

