

LYNDON[®]**ONE-PIECE RIGHT HEIGHT[®]
ELONGATED DUAL FLUSH TOILET****D22690A200.415****FEATURES**

- Elongated bowl design
- Vitreous china
- 12" (305 mm) rough-in
- Siphon action jetted bowl with smooth-sided, concealed trapway
- High efficiency, dual flush, low consumption 1.28 gpf/4.8 Lpf conserving flush 1.0 gpf/3.8 Lpf
- EverClean[®] surface inhibits the growth of stain- and odor-causing bacteria, mold, and mildew on the surface
- Fully glazed
- Rim height at 16-1/2" (419 mm) for accessible application
- Includes Duroplast[™] slow-close telescoping seat
- 3" Flush valve
- Colored-matched bolt hole covers
- Chrome top mounted push button actuator

DIMENSIONS**NOMINAL DIMENSIONS**

30-3/16" x 14" x 30-13/16" (767 x 356 x 783 mm)

WATER SPOT

7-7/8" (200 mm) wide

9-1/4" (235 mm) length

5-1/2" (140 mm) distance to rim

COLORS/FINISHES

Canvas White (415)

COMPONENTS

5011A20G.415 Contemporary Toilet Seat
Elongated, Slow-Close, Topmount,
Easy Lift Off, Telescoping

735188-400.415 Tank Cover

7381338-200-2950A Plated Dual Flush Actuator
Satin Nickel (295)
(optional component)

COMPLIANCE CERTIFICATIONS

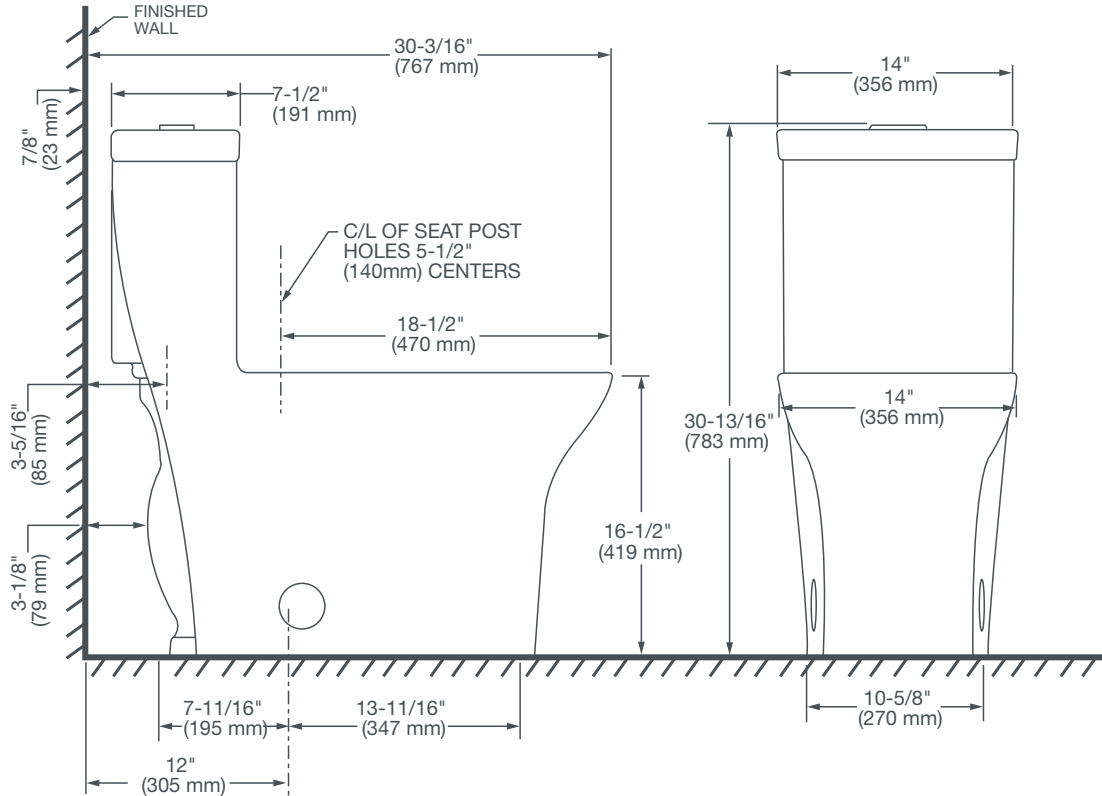
Meets or Exceeds ASME A112.19.2-2008/CSA B45.1-08



ROUGH IN DIAGRAM SHOWN
ON NEXT PAGE

LYNDON[®]

ONE-PIECE RIGHT HEIGHT[®] ELONGATED DUAL FLUSH TOILET



NOTES:

This toilet is designed to rough-in at a minimum dimension of 12" (305 mm) from finished wall to C/L of outlet. Supply not included with fixture and must be ordered separately.

* Dimensions shown for location of supply is suggested.

IMPORTANT:

Dimensions of fixtures are nominal and may vary within the range of tolerance established by ANSI Standard A112.19.2. These measurements are subject to change or cancellation. No responsibility is assumed for use of superseded or voided pages.