



DXV MODULUS™

WALL MOUNT TUB FILLER



- 1/8" Thin profile
- Forged brass escutcheon plate
- Brass handles
- Concealed mounting hardware
- Single function hand shower
- Includes double check valves
- Rough-in valve sold separately
- Maximum hand shower flow rate: 1.8 gpm (6.8 L/min)

CODES AND STANDARDS

Meets or Exceeds ASME A112.18.1/CSA B125.1/ASSE 1016

EPA WaterSense® Certified

CEC and CALGreen® Compliant

DESCRIPTION

Wall Mount Tub Filler

PRODUCT NUMBER

D35120981.XXX

REQUIRED VALVE OPTIONS

Wall Mount Tub Filler

Rough Valve

D35000981.191

AVAILABLE FINISHES

Polished Chrome

Brushed Nickel

Platinum Nickel

Matte Black

FINISH CODE

100

144

150

243

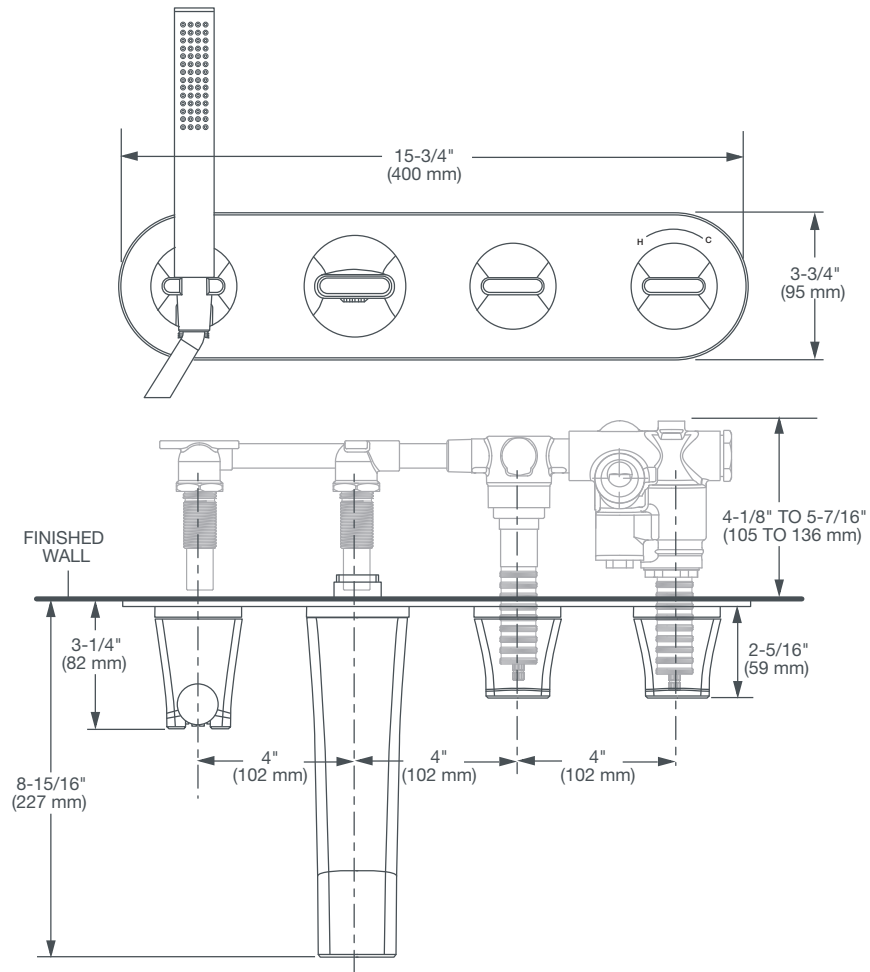
ROUGH-IN DIAGRAM
SHOWN ON NEXT PAGE

CALGreen® is a registered trademark of California Building Standards Commission.



DXV MODULUS™

WALL MOUNT TUB FILLER



IMPORTANT: These measurements are subject to change or cancellation.
No responsibility is assumed for use of superseded or voided pages.

PART OF LIXIL



DXV MODULUS™

PERSONAL SHOWER SET WITH HAND SHOWER



- 5 ft. (1.5 m) decorative metal hose
- Contemporary single function hand shower
- Wall elbow
- 24" adjustable slide bar with bracket and metal hose
- Maximum hand shower flow rate: 1.8 gpm (6.8 L/min)
- Includes double check valves

CODES AND STANDARDS

Meets or Exceeds ASME A112.18.1/CSA B125.1

EPA WaterSense® Certified

DESCRIPTION

Personal Shower Set
with Hand Shower

PRODUCT NUMBER

D35120780.XXX

AVAILABLE FINISHES

Polished Chrome
Brushed Nickel
Platinum Nickel
Matte Black

FINISH CODE

100
144
150
243

ROUGH-IN DIAGRAM
SHOWN ON NEXT PAGE