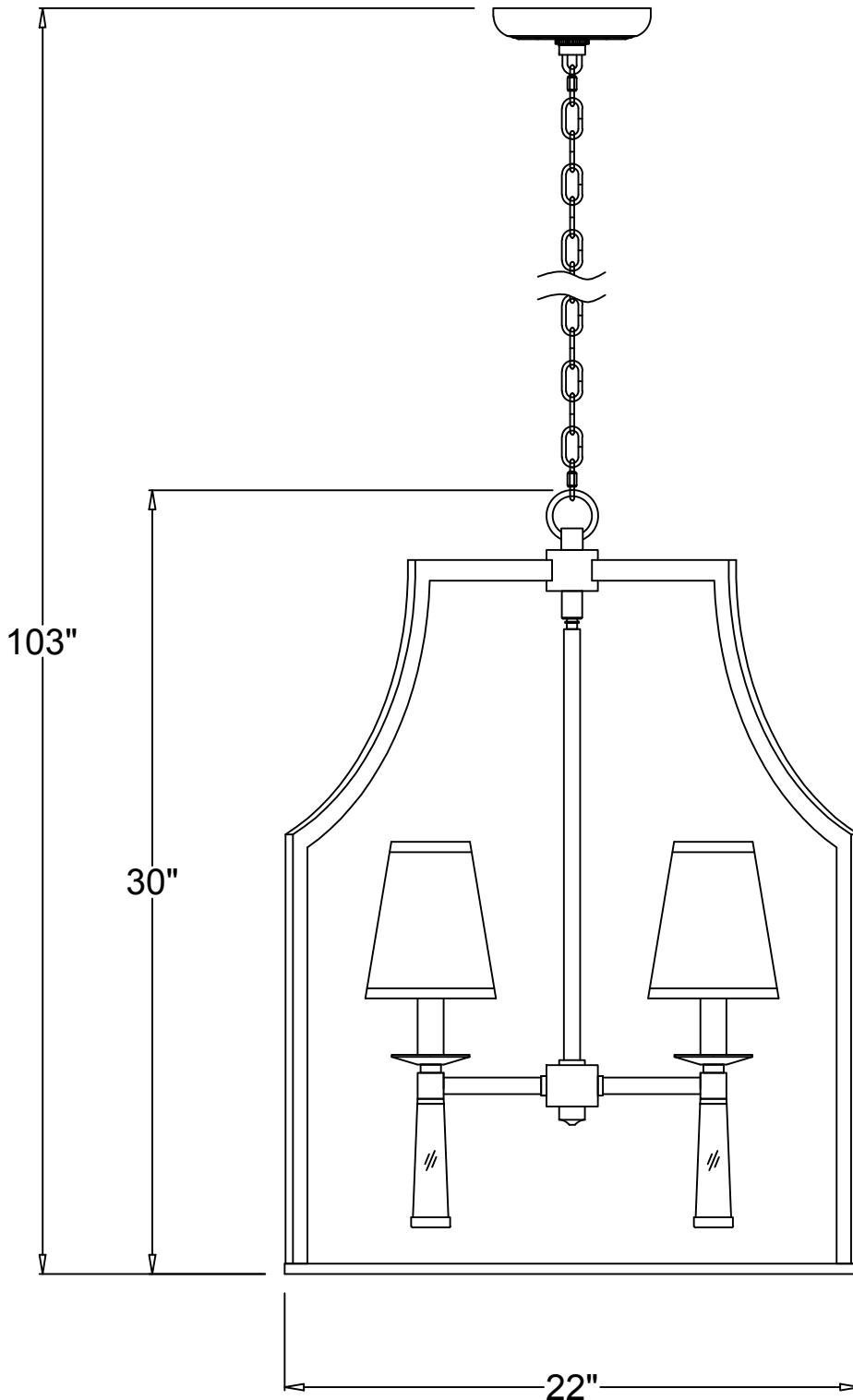


# CRYSTORAMA

LIGHTING THE WAY FOR SIXTY YEARS

ASSEMBLY INSTRUCTION MODEL #8864-PN



## WARNING

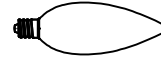


Electrical Danger



Turn Power Off

All electrical components must be installed by a licensed electrician in accordance with the National Electric Code and the appropriate local electrical codes.




You will need 4-Candelabra Bulb  
25 Watts Recommended 40 Watts Max  
Bulb not included  
USE LED BULBS FOR EXTENDED USE  
This fixture is dry rated

## How to Install

Note: Please put the frame on a soft cloth covered table during the assembly to prevent the frame from being scratched.

1. Screw the center rod onto the light cluster.
2. Insert the top of arm into the bolt on the top of center rod kit. Secure it with screws.
3. Place the bottom ring over the assembled frame on Step#2 and secure it with screws.
4. Screw the lucite finial onto the bottom end of the candle sleeve.
5. Put the shade over the candle sleeve.
6. Install the recommended bulbs (not included) into each socket.
7. Determine the preferred hanging height and choose the chain needed.
8. Fix the mounting plate to the ceiling and connect the canopy to the mounting plate.

 **WARNING:** This product can expose you to Lead, which is known to the State of California to cause cancer and/or birth defects or reproductive harm. For more information go to [www.P65Warnings.ca.gov](http://www.P65Warnings.ca.gov)

# CRYSTORAMA

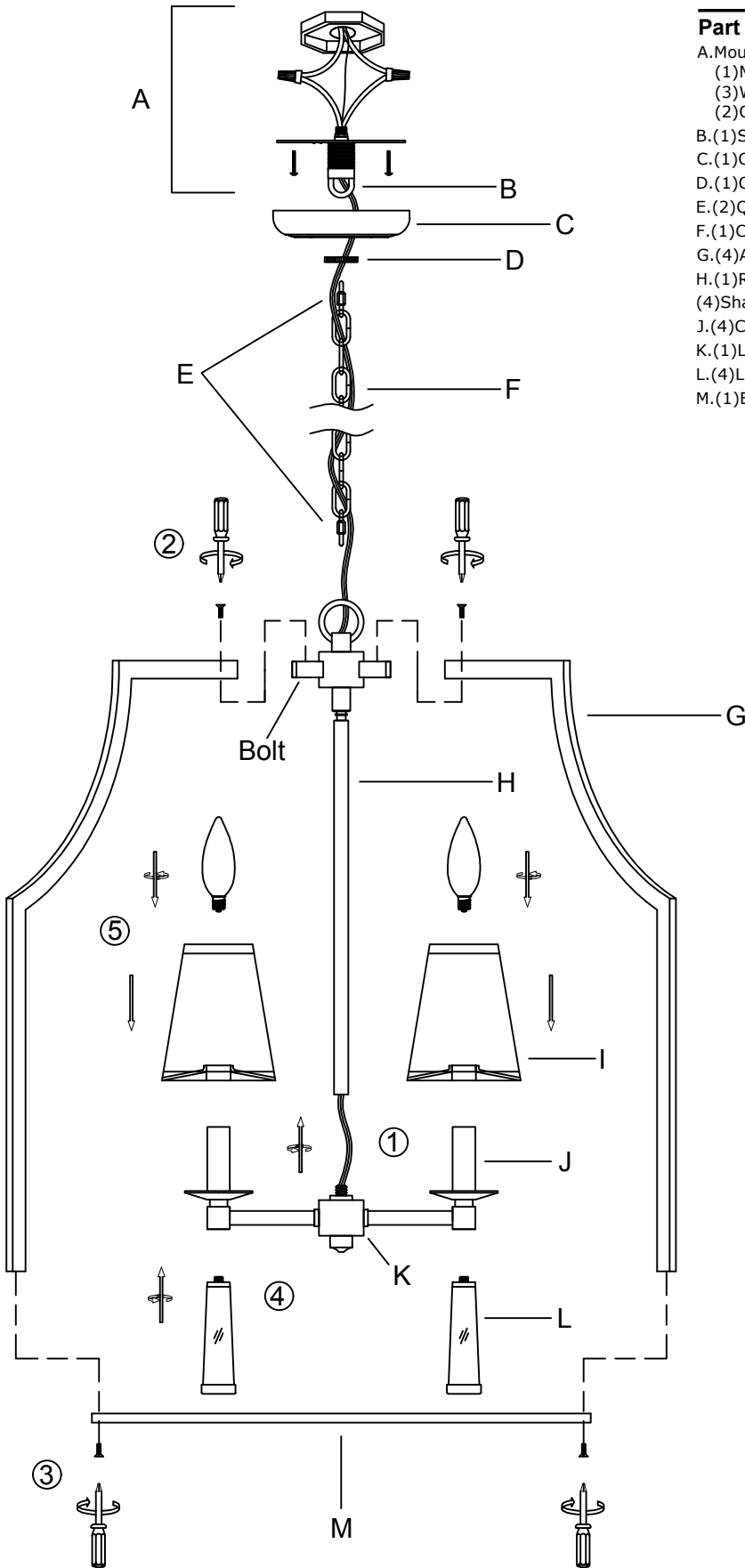
LIGHTING THE WAY FOR SIXTY YEARS

PART NUMBER MODEL #8864-PN

## Part Number

### Part Numbers

- A. Mounting Hardware
  - (1) Mounting Plate
  - (3) Wire Nut
  - (2) Outlet Box Screws
- B. (1) Screw Collar Loop
- C. (1) Canopy; Ø6"x1"h; XMO8864PNCAN6IN
- D. (1) Collar Ring
- E. (2) Quick Link
- F. (1) Chain; 72"Lx Ø5.0mmT; XMO8864PNCHA5.0MM
- G. (4) Arm
- H. (1) Rod; Ø0.63"x16.5"L; XMO8864PNROD16.5IN I.
- I. (4) Shade; Ø3"xØ5"x6"h; XMO8861PNSHA6IN
- J. (4) Candle Sleeve; Ø1"x3.2"
- K. (1) Light cluster
- L. (4) Lucite finial; XMO8864PNLUCFIN
- M. (1) Bottom Ring



5/32 Screws	4/16 Screws
x4pcs	x4pcs
