

CRYSTORAMA

1958

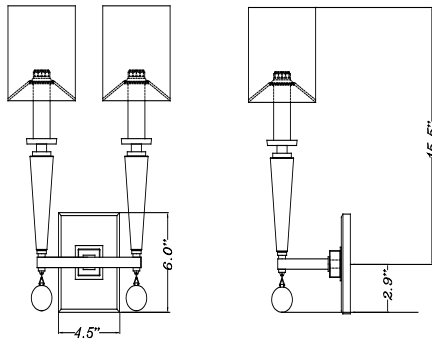
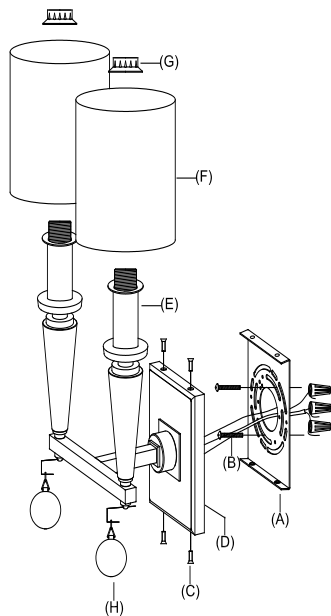
95 Cantiague Rock Road, Westbury NY 11590

Ph: 516.931.9090 fax: 516.931.1254

info@crystorama.com www.crystorama.com

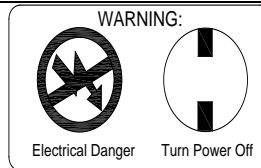
MODEL#: 8102-PN

ASSEMBLY AND DRESSING INSTRUCTION

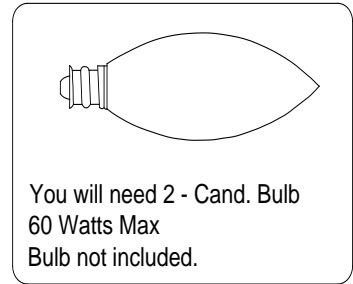


PARTS INCLUDED

- (A) Mounting plate
- (B) Mounting screw
- (C) Base screw
- (D) Fixture base
- (E) Socket
- (F) Shade
- (G) Socket ring
- (H) Crystal drop 2"



WARNING:
All electrical components must be installed by a licensed electrician in accordance with the National Electric Code and the appropriate local electrical codes.



WARNINGS:

Turn off power (unplug from the wall outlet) before replacing the bulb(s), making sure the bulb(s) had sufficient time to cool down. DO NOT subject the lamp to any shock while lit as shattering of lamp may result.

TO ASSEMBLE:

1. Carefully remove all parts from the box and remove all plastic covering.
2. Turn off power to the junction box where the light will be installed.
3. Remove mounting plate (A) from fixture base (D) by removing base screws (C).
4. Affix mounting plate (A) to wall outlet box with mounting screws (B) provided.
5. Gently pull the wires from the wall outlet box and allow the wires to hang. Thread the wires through the center hole in the mounting plate (A).
6. Attach the fixture ground wire and house ground wire (usually green) to wall outlet box with the green grounding screw. Connect fixtures to corresponding house wire with a wire nut. Carefully tuck the wires back into the outlet box. IT IS IMPERATIVE THAT THE OUTLET BOX IN YOUR HOME BE PROPERLY GROUNDED.
7. Connect the neutral wire (white wire) to the neutral outlet wire (usually white) with a plastic wire connector and wrap the connection with electrical tape.
8. Connect the hot wire (black wire) to the hot outlet box wire (usually black) with a plastic wire connector and wrap the connection with electrical tape. DO NOT REVERSE THE HOT AND NEUTRAL CONNECTIONS OTHERWISE SAFETY WILL BE COMPROMISED.
9. Attach fixture base (D) to mounting plate (A), tighten with base screws (C).
10. Remove socket rings (G) from sockets (E), place lamp shades (F) onto the threaded section of sockets and secure with socket rings (G)
11. Hook the crystal drops (H) to the bottom of light fixture.
12. Insert the recommended 60-watt Type B bulbs (not included) into the threaded sockets.
13. Restore power to the junction box and test the pendant fixture.
14. Assembly is complete.

CARE INSTRUCTIONS:

To clean, use a soft cloth only. DO NOT use any chemical or abrasive cleaners.